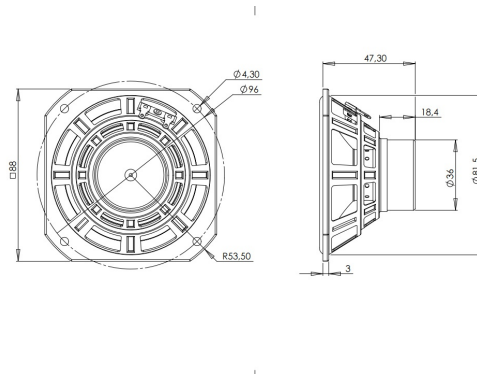


35NDF26

8Ω**LF Drivers - 3.5 Inches**

- 60 W continuous program power capacity
- 26 mm (1 in) aluminum voice coil
- 100 - 20000 Hz response
- 88 dB sensitivity
- Neodymium magnet allows a very light yet powerful motor assembly

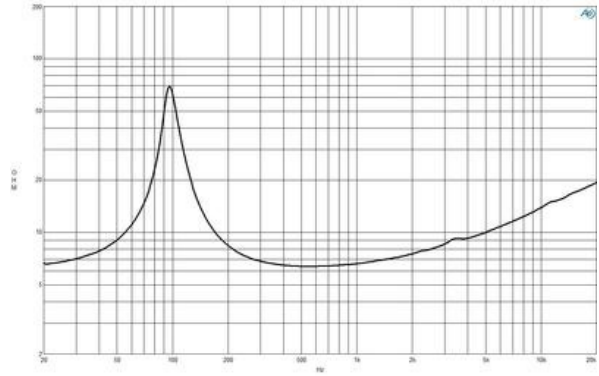
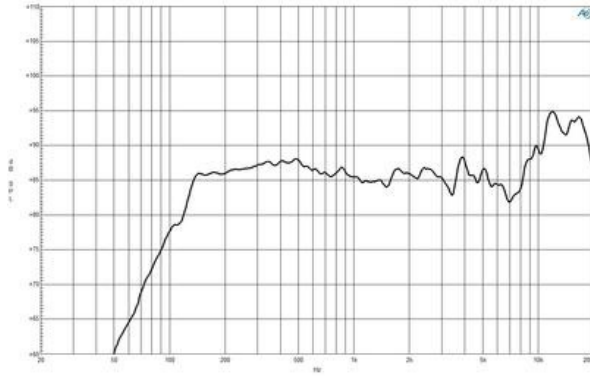


Description

OEM Quantities only

35NDF26

LF Drivers- 3.5 Inches



SPECIFICATIONS

Nominal Diameter	90 mm (3.5 in)
Nominal Impedance	8 Ω
Minimum Impedance	6.4 Ω
Nominal Power Handling ¹	30 W
Continuous Power Handling ²	60 W
Sensitivity ³	88.0 dB
Frequency Range	100 - 20000 Hz
Voice Coil Diameter	26 mm (1.02 in)
Winding Material	Aluminium
Former Material	Kapton
Winding Depth	8.0 mm (0.31 in)
Magnetic Gap Depth	3.0 mm (0.13 in)
Flux Density	1.3 T

DESIGN

Surround Shape	Roll
Cone Shape	Exponential
Magnet Material	Neodymium Inside Slug
Spider	Single
Pole Design	Straight Pole
Woofer Cone Treatment	None
Recommended Enclosure	5.0 dm ³ (0.18 ft ³)
Recommended Tuning	75 Hz

PARAMETERS⁴

Resonance Frequency	98 Hz
Re	6.0 Ω
Qes	0.58
Qms	8.8
Qts	0.55
Vas	1.9 dm ³ (0.07 ft ³)
Sd	46.0 cm ² (7.13 in ²)
η_0	0.3 %
Xmax	3.2 mm
Xvar	2.9 mm
Mms	4.0 g
Bl	5.1 Txm
Le	0.26 mH
EBP	168 Hz

MOUNTING AND SHIPPING INFO

Overall Diameter	107 mm (4.21 in)
Bolt Circle Diameter	96 mm (3.78 in)
Baffle Cutout Diameter	81.5 mm (3.21 in)
Depth	50 mm (1.97 in)
Flange and Gasket Thickness	3 mm (0.13 in)
Air Volume Occupied by Driver	0.15 dm ³ (0.01 ft ³)
Net Weight	0.18 kg (0.4 lb)
Shipping Units	27
Shipping Weight	5.9 kg (13.01 lb)
Shipping Box	411x404x185 mm (16.18x15.91x7.28 in)

SERVICE KIT

1. 2 hours test made with continuous pink noise signal within the range Fs-10Fs. Power calculated on rated nominal impedance. Loudspeaker in free air.
2. Power on Continuous Program is defined as 3 dB greater than the Nominal rating.
3. Applied RMS Voltage is set to 2.83 V for 8 ohms Nominal Impedance.
4. Thiele-Small parameters are measured after a high level 20 Hz sine wave preconditioning test.