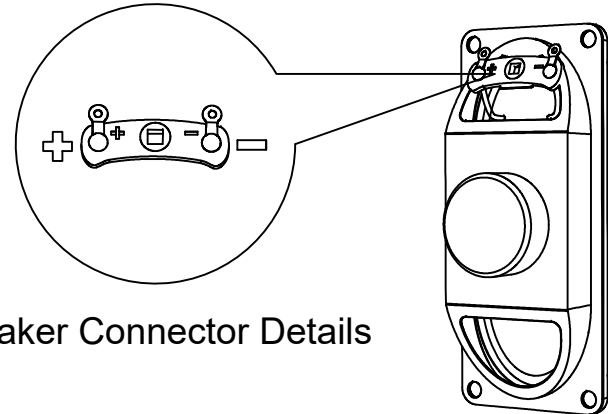
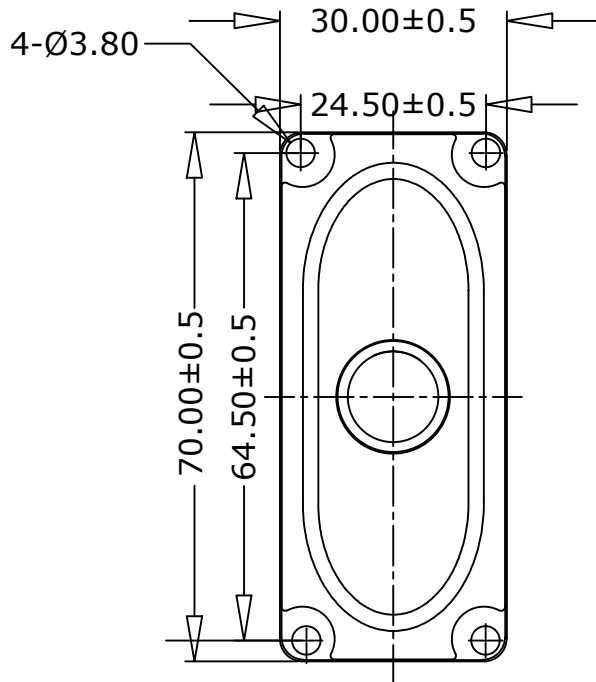


Top View

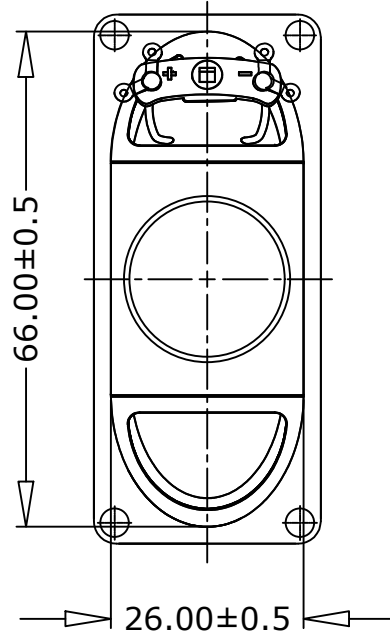


Speaker Connector Details

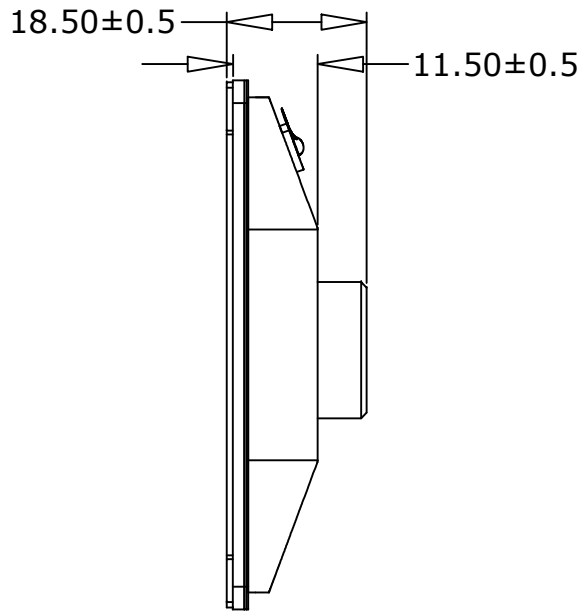
3D View



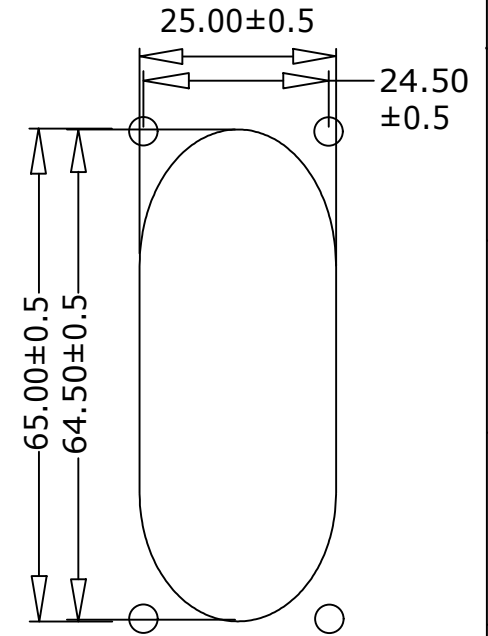
Front View



Back View



Side View



Installation Hole

- Note: 1) Take tolerance reference from the title block, unless specified in the diagram.  
 2) The installation holes coordinate of 70mmx30mm speakers from different manufacturers are different but, our speaker is designed to be compatible with all the 70mmx30mm speakers.

TOLERANCE	DRAWN BY	VERIFIED BY	COUNTERSIGNED BY	SCALE	1 : 1	MATERIALS	TITLE	3RD Angle Projection of Speaker Unit Full Range 70mm x 30mm 2W
XY ± 0.5mm	S.SABRI	N. ZULNAZME	Z.CHENG	UNIT	Millimeter	FINISH		
Z ± 0.5mm	ISSUED 5.04.2021			3RD ANGLE PROJECTION			DRAWING NO.	SUFR7302-01-01
REVISION	Designed by: Berrybak Sdn.Bhd. for Wondom Audio Technology & Sure Electronics Co.,Ltd.							
1.00								