



6AS-4
6" CAR
REPLACEMENT
SPEAKER 4 OHM

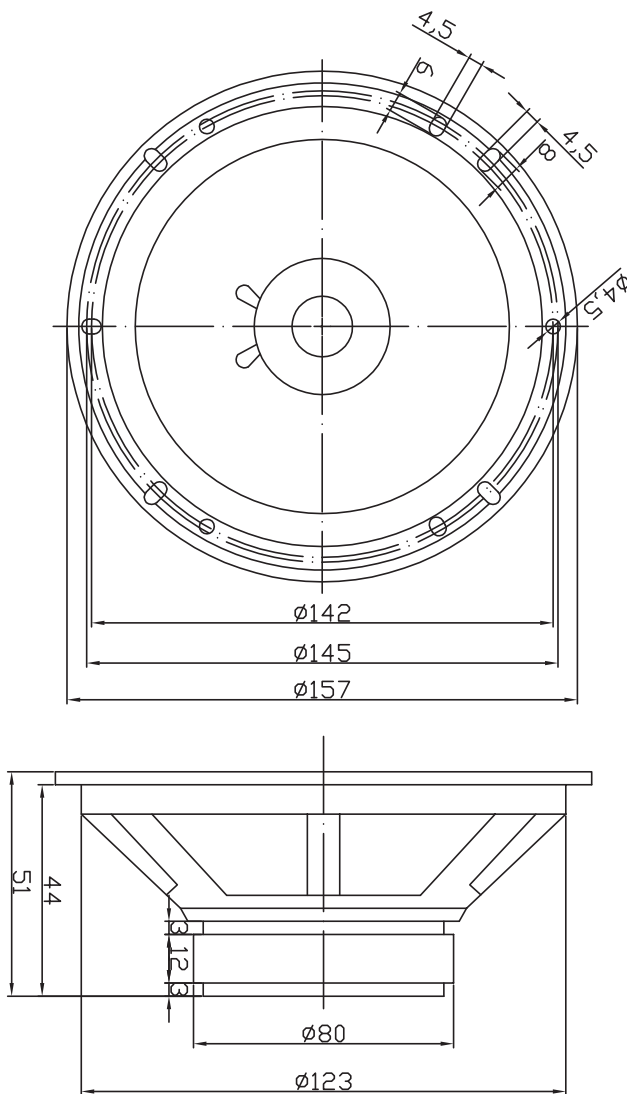
FEATURES

- 6" round frame auto speaker
- Drop-in replacement for many OEM car speakers
- Economically priced for affordable repair
- Typical size used in many vehicles

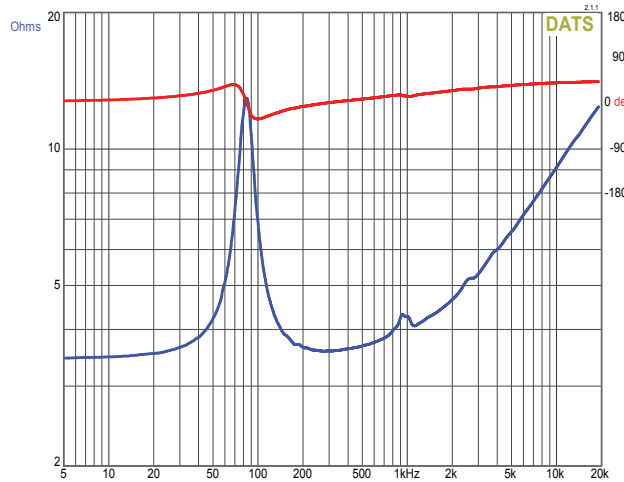
PARAMETERS

Impedance	4 ohms
Re	3.5 ohms
Le	0.40 mH
Fs	84.1 Hz
Qms	4.98
Qes	1.83
Qts	1.39
Mms	8.77 g
Cms	0.408 mm/N
Sd	120.1 cm ²
Vd	-
BL	2.98 Tm
Vas	8.37 liters
Xmax	-
VC Diameter	-
SPL	89.9 dB @ 2.83V/1m
RMS Power Handling (AES 426B)	40 watts
Usable Frequency Range (Hz)	75 - 10,000 Hz

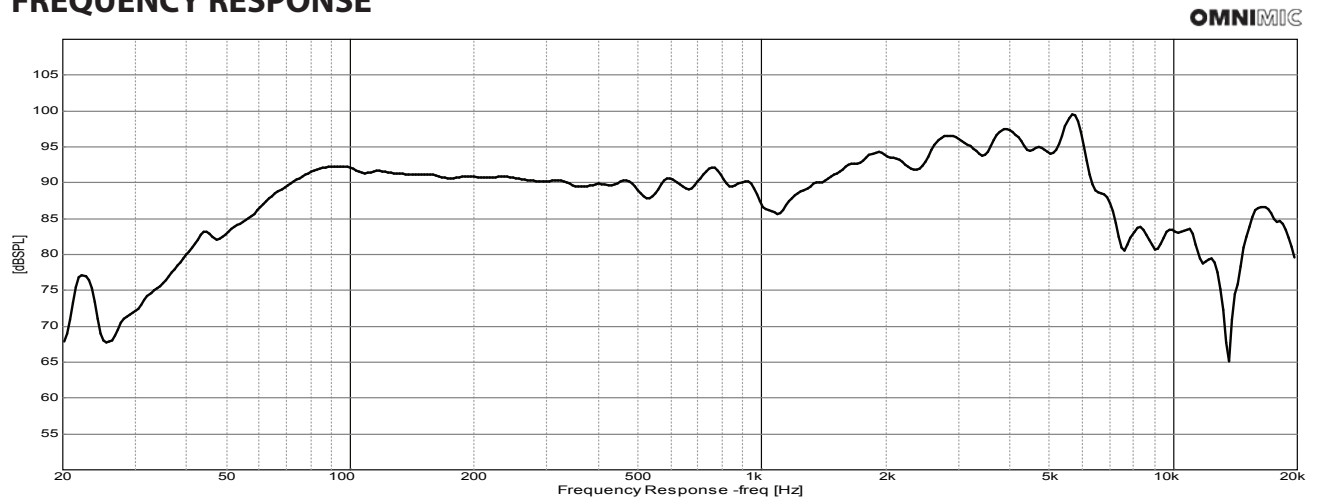
MECHANICAL DRAWING



IMPEDANCE/PHASE



FREQUENCY RESPONSE



Note: 1/24th octave smoothing - nearfield response included in graph below 450 Hz.