



3AS-4
3-1/2" CAR
REPLACEMENT
SPEAKER 4 OHM

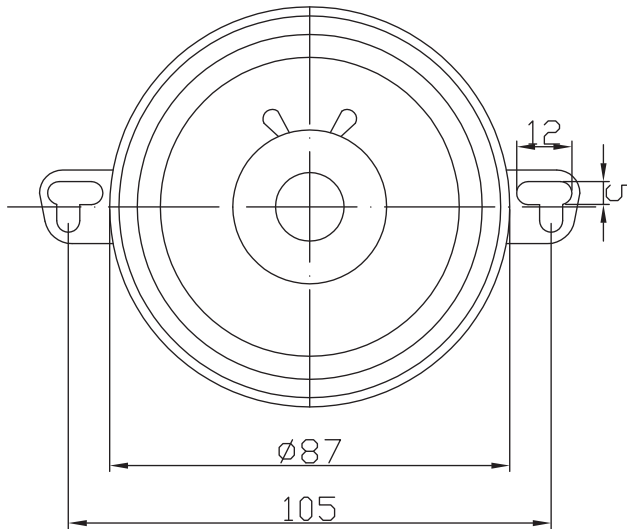
FEATURES

- 3-1/2" round frame auto speaker
- Drop-in replacement for many OEM car speakers
- Economically priced for affordable repair
- Typical size used in many vehicles
- Great replacement speaker

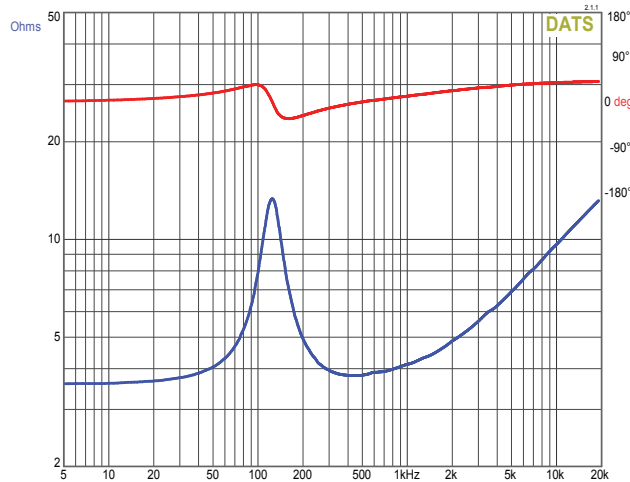
PARAMETERS

Impedance	4 ohms
Re	3.6 ohms
Le	0.3 mH
Fs	124 Hz
Qms	3.54
Qes	1.30
Qts	0.95
Mms	3.5 g
Cms	0.47 mm/N
Sd	36.1 cm ²
Vd	-
BL	2.8 Tm
Vas	0.9 liters
Xmax	-
VC Diameter	-
SPL	87 dB @ 2.84V/1m
RMS Power Handling (AES 426B)	15 watts
Usable Frequency Range (Hz)	100 - 15,000 Hz

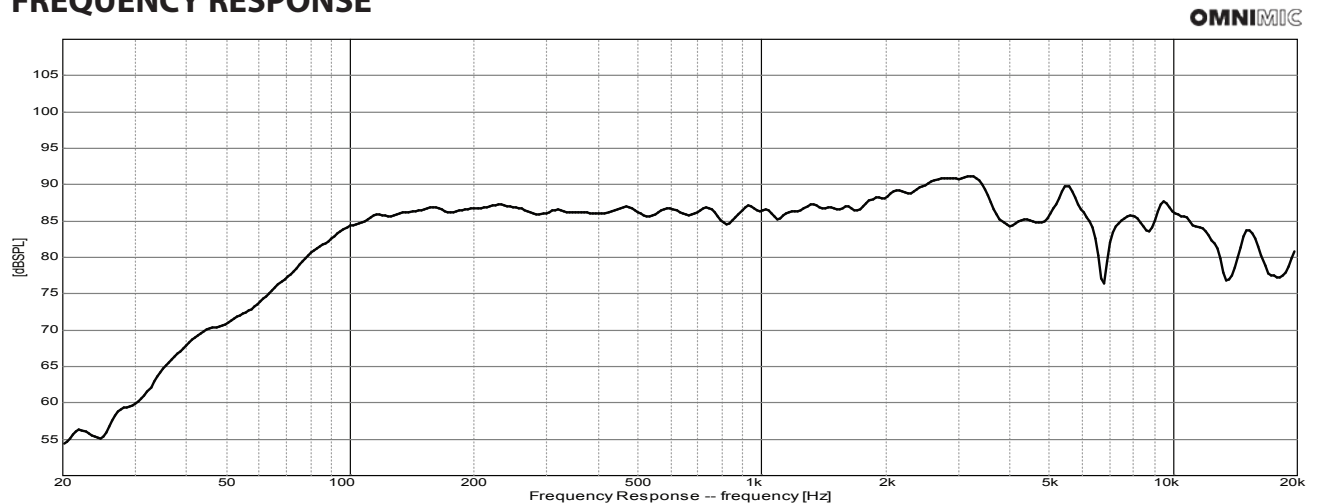
MECHANICAL DRAWING



IMPEDANCE/PHASE



FREQUENCY RESPONSE



Note: 1/24th octave smoothing - nearfield response included in graph below 450 Hz.