



**4AS-4**  
**4" CAR**  
**REPLACEMENT**  
**SPEAKER 4 OHM**

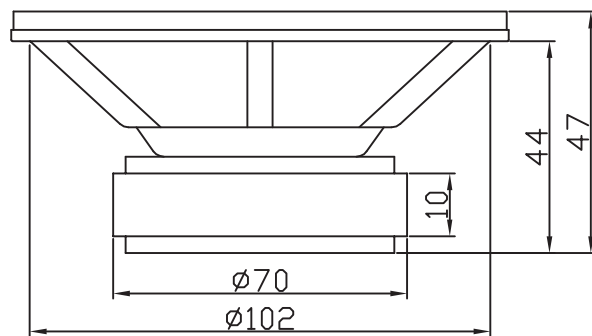
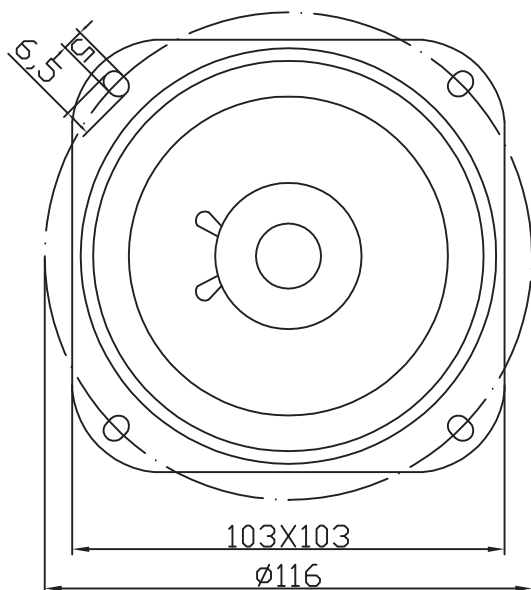
**FEATURES**

- 4" square frame dual cone auto speaker
- Drop-in replacement for many OEM car speakers
- Economically priced for affordable repair
- Common size used in many vehicles
- Great replacement speaker

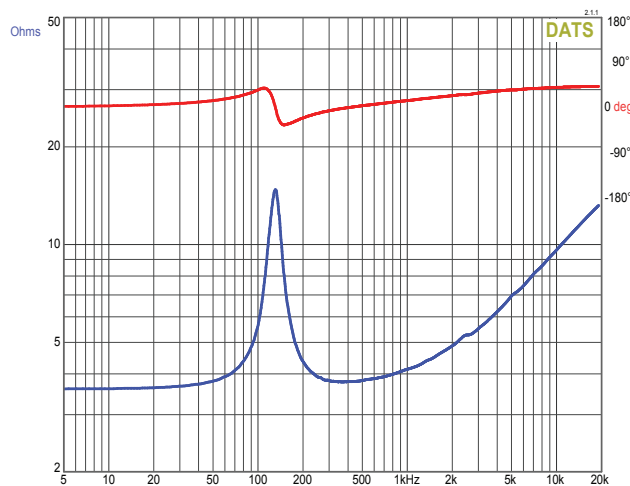
**PARAMETERS**

Impedance	4 ohms
Re	3.6 ohms
Le	0.3 mH
Fs	131 Hz
Qms	6.09
Qes	1.95
Qts	1.48
Mms	4.5 g
Cms	0.33 mm/N
Sd	55.1 cm <sup>2</sup>
Vd	-
BL	2.6 Tm
Vas	1.4 liters
Xmax	-
VC Diameter	-
SPL	88 dB @ 2.83V/1m
RMS Power Handling (AES 426B)	25 watts
Usable Frequency Range (Hz)	85 - 11,000 Hz

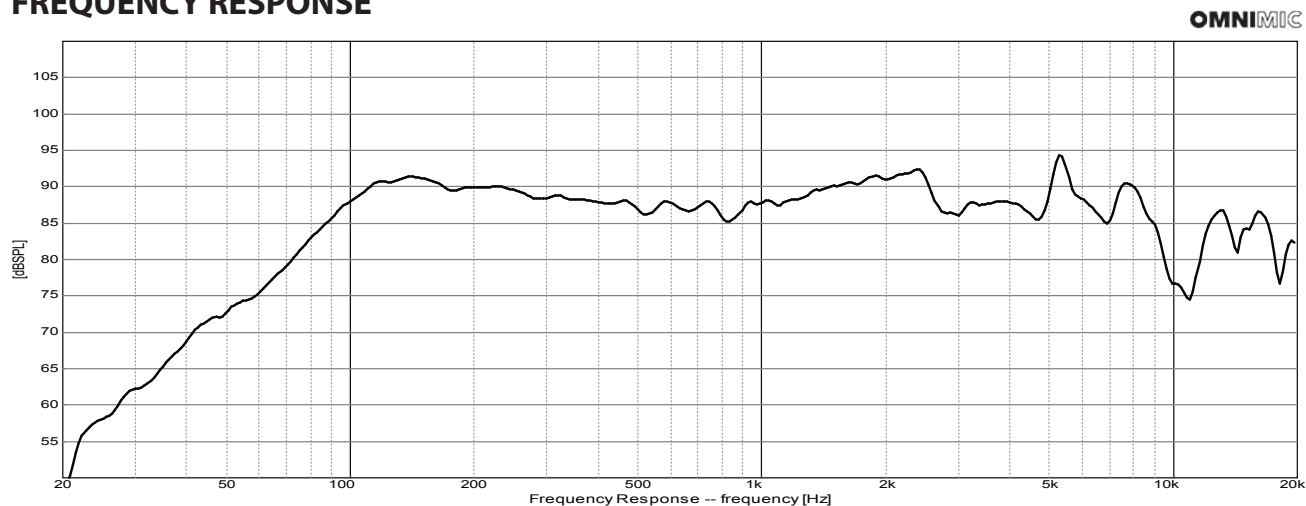
**MECHANICAL DRAWING**



**IMPEDANCE/PHASE**



**FREQUENCY RESPONSE**



Note: 1/24<sup>th</sup> octave smoothing - nearfield response included in graph below 450 Hz.