



# NX 945-A

PROFESSIONAL ACTIVE SPEAKER



### Description

NX 945-A is masterfully engineered from the ground up to deliver stellar audio performance for sound providers, small bands and DJs. The combination of a 4" titanium/neodymium compression driver, 15" neodymium woofer - two-channel 2,100W amplifier, and the constant directivity True Resistive Waveguide produces coherent 100° x 70° coverage for the listening area with up to 135 dB SPL, distortion-free sound. Used as a stand-alone speaker for a FOH system, satellite (with subwoofer), stage monitor, or flown speaker, the NX 945-A blends high performance and reliability in a compact package. Merging RCF proprietary FIRPHASE and Bass Motion Control DSP processing, perfectly tuned for each model, the audience will experience absolute sound clarity and deep, powerful bass response. The tour-ready, rugged all-wood cabinet is easy to carry and secure to install on a pole-, flown-, wall-, or truss-mounted using the dedicated rigging points available.

### Features

- › Up to 135 dB Sound Pressure Level
- › 2100W Class-D Bi-Amplification
- › 45-20000 Hz linear frequency response
- › 4" Titanium/Neodymium Compression Driver
- › 15" neodymium Woofer
- › FIRPHASE zero degrees phase technology
- › Bass Motion Control woofer excursion management
- › Six M10 and four Quick Lock rigging points

### Part Number

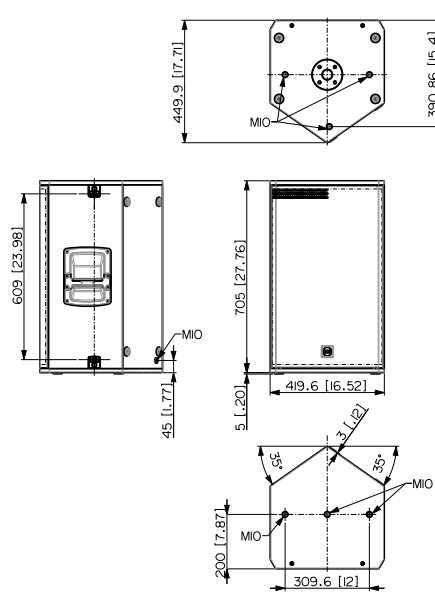
13000768 NX 945-A	220-240 V	Black	EAN 8024530021122
13000769 NX 945-A	100-120 V	Black	EAN 8024530021665
13000875 NX 945-A W	100-120 V	White	EAN 8024530021887
13000876 NX 945-A W	220-240 V	White	EAN 8024530022037



# NX 945-A

PROFESSIONAL ACTIVE SPEAKER

Line Art 2D



## TECHNICAL SPECIFICATIONS

<b>Acoustical specifications</b>	Frequency Response	45 Hz ÷ 20000 Hz
	Max SPL @ 1m	135 dB
	Horizontal coverage angle	100°
	Vertical coverage angle	70°
<b>Transducers</b>	Compression Driver	1 x 1.4" neo, 4.0" v.c
	Woofer	15" neo, 3.5" v.c
<b>Input/Output section</b>	Input signal	bal/unbal
	Input connectors	Combo XLR/Jack
	Output connectors	XLR
	Input sensitivity	-2 dBu/+4 dBu
<b>Processor section</b>	Crossover Frequencies	650Hz
	Protections	Thermal, RMS
	Limiter	Soft Limiter
	Controls	Linear, Boost, Stage, Volume
<b>Power section</b>	Total Power	2100 W Peak
	High frequencies	700 W Peak
	Low frequencies	1400 W Peak
	Cooling	Convection
	Connections	Powercon TRUE1 TOP IN/OUT
<b>Standard compliance</b>	Safety agency	CE compliant
<b>Physical specifications</b>	Cabinet/Case Material	Plywood
	Hardware	2 x M10 Top, 1 x M10 each side, 1 x M10 bottom, 1 x M10 rear 2 each side quick lock pin seat
	Handles	1 x Side
	Pole mount/Cap	Yes
	Grille	Steel
	Color	Black, White



# NX 945-A

PROFESSIONAL ACTIVE SPEAKER

<b>Size</b>	Height	705 mm / 27.76 inches
	Width	420 mm / 16.54 inches
	Depth	451 mm / 17.76 inches
	Weight	27.3 kg / 60.19 lbs

## ACCESSORIES

<b>Protections</b>	CVR NX 915	13360497	Black	8024530019501
	RP 001	13360515	Black - RAL 9005	8024530020460
<b>Rigging / Mounting</b>	2X PLATE H-BR NX 910-912-915	13360506	Black	8024530020057
	AC EB 4X	13360031		8024530018870
	AC PRO-FS	13360109	Black	8024530006471
	AC PRO-PM	13360110	Black	8024530006488
	H-BR 001	13360535	Black - RAL 9005	8024530020743
	V-BR NX 45	13360398	Black	8024530015510