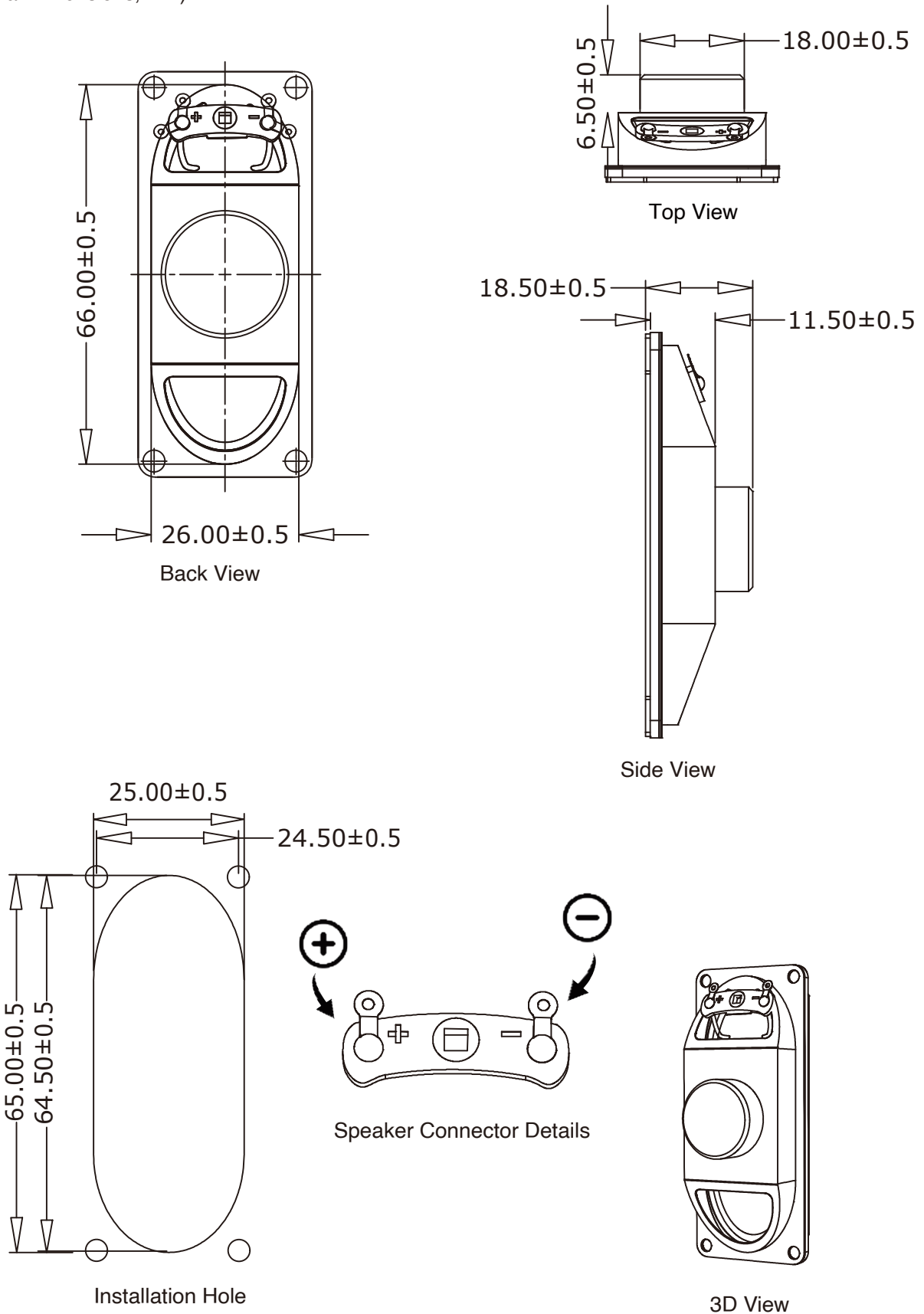


Mechanical Drawing (Nominal Dimensions, mm)



Note: Speaker connector details view is not 1:1 scale.



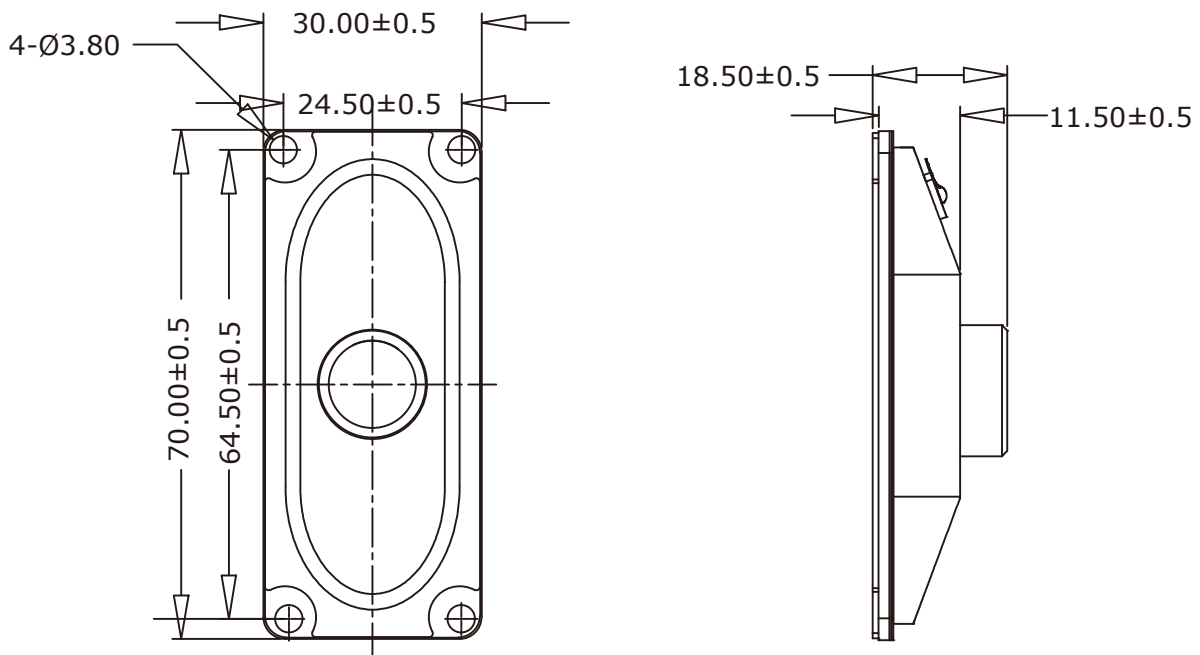
SUFR7302

70mm x 30mm Full Range Speaker Unit

The SUFR7302 is a 70mm x 30mm 8-ohm 2 Watt full range speaker with powerful neodymium motor.

Features:

- Minimal resonance from paper cone with foam surround.
- Powerful neodymium motor for lightweight and minimal size.
- Flat mounting flange for easy installation and suitable for panel mounting.
- Optimized for voice band.



Note: The installation holes coordinate of 70mmx30mm speakers from different manufacturers are different but, our speaker is designed to be compatible with all the 70mmx30mm speakers.

T-S Parameters:

Resonance frequency [fs]	300Hz
Mechanical Q factor [Qms]	4.66
Electrical Q factor [Qes]	6.97
Total Q factor [Qts]	2.79
Force factor [Bl]	1.20Tm
Mechanical resistance [Rms]	0.30kg/s
Moving mass [Mms]	0.70g
Compliance [Cms]	0.40m/N
Effective diaph. diameter [D]	(54 x 25)mm
Effective piston area [Sd]	11.51cm ²
Equivalent volume [Vas]	0.03L
Sensitivity (2,83V/0.5m)	84dB

Power Handling:

Rated power input (IEC 268-5)	2W
Max power input (IEC 268-5)	5W

Electrical Data:

Normal impedance [Zn]	7.27Ω at 1kHz
Minimum impedance [Zmin]	7.12Ω
Maximum impedance [Zo]	14.91Ω
DC resistance [Re]	7.17Ω
Voice coil inductance [Le]	0.05mH at 1kHz

Mechanical Data:

Voice coil diameter	12.7mm
Voice coil height	3.0mm
Voice coil layer	1
Gap height	1.0mm
Linear excursion	±1.0mm
Max mech. excursion	±2.0mm
Unit weight	36g
Driver displacement volume	0.004L

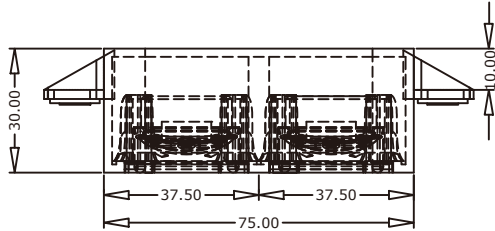
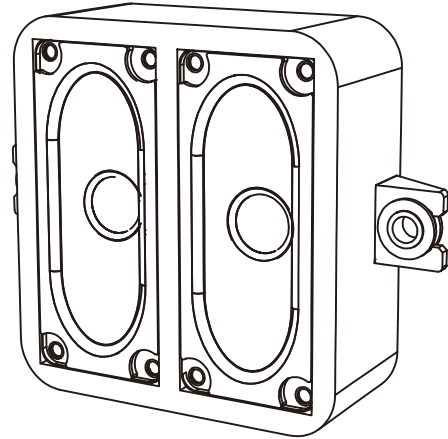


Box Properties 1

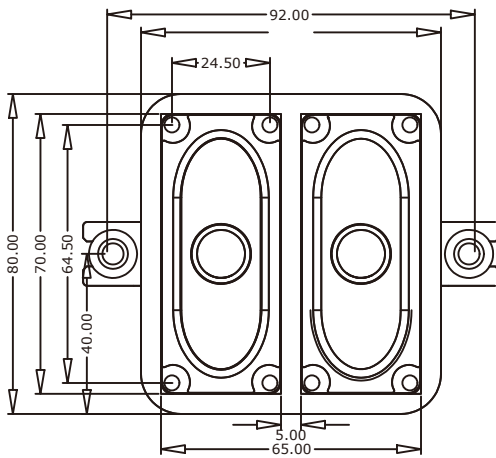
Type: Sealed Box
Shape: Prism

Box Parameters

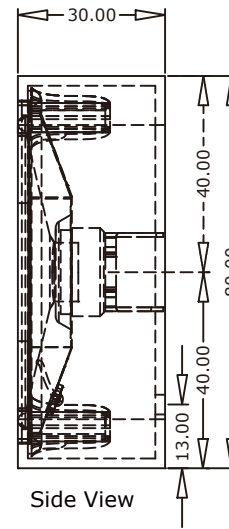
Calculated V_b = 0.27lts
Calculated V (total) = 0.28lts
Actual V_b = 0.16lts
 Q_{tc} = 2.91
 F_3 = 207.18Hz
Fill = Normal



Top View



Front View

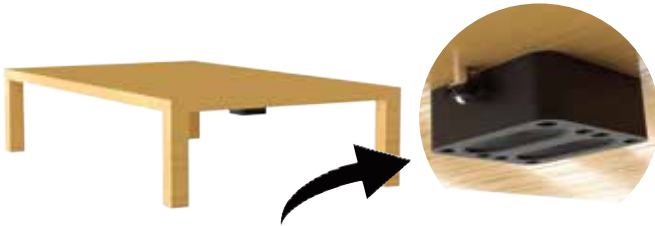


Side View

Notes:

1. This speaker box is designed and optimized for panel mounting.
2. 3D model is provided for free in our resale website www.sure-electronics.com.
3. Actual volume is different with calculation value, but tested and verified, it is an optimized value after prototypes.
4. This model might work with 70mm x 30mm full range units from other brands, but performance is not guaranteed.
5. This speaker box unit is for sale and not a standard accessory, customer can find in our website.

Table Mount Application



Wood Surface Mounting



Metal Surface Mounting

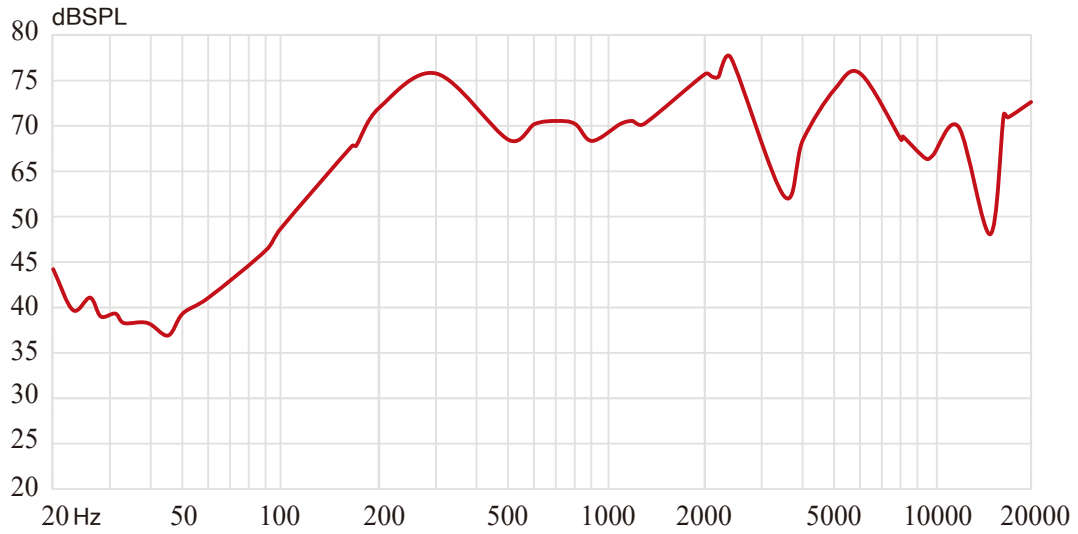
Special Accessories





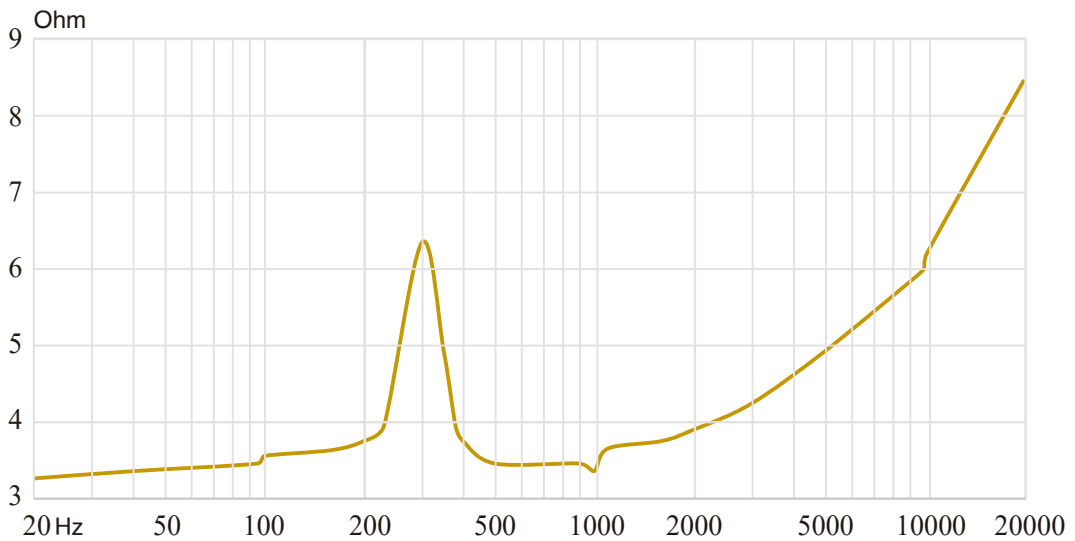
Frequency Response

SPL Vs Freq



Impedance Curve

Impedance vs Freq



Distributed by:



Sure Electronics Co., Ltd.
Professional Industrial Audio Solution Provider
3F, Building F6, No. 9, Weidi Road,
Xianlin, Qixia Dist., Nanjing, China.
+86(25)8526-0046 | info@sure-electronics.com

To view our products and purchase,
please visit our website:
store.sure-electronics.com

Designed by:



58-7-2, Jalan Cantonment,
Wisma Fortune Heights, 10250, Pulau Pinang, Malaysia.
+60(4)2189323 | info@wondom.com

To view our products, please visit our website:
www.wondom.com



RoHS

- MOQ and SPQ is 4pcs speaker per small cardboard box for retail, incremental is one SPQ 4pcs.
- MOQ and SPQ is 360pcs small cardboard box per carton (530x290x230mm) for wholesale, incremental is one SPQ 360pcs.
- The 3D printed speaker cabinet is for sale, MOQ and SPQ is 2pcs per small cardboard box too.

Drafted:

Approved:

Countersigned: