

PARTS LIST

MC2630RS

CONTENTS

1. PARTS KIT	1
2. MAIN BODY	3
3. ENGINE	5
4. CARBURETOR, FUEL TANK	9
5. ACCESSORIES	11

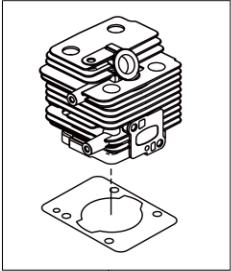
2021. 10.



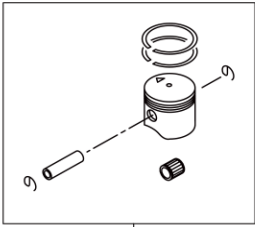
MARUYAMA

P/N 524179-7

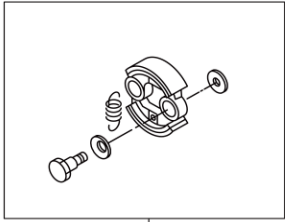
MC2630RS
1. PARTS KIT



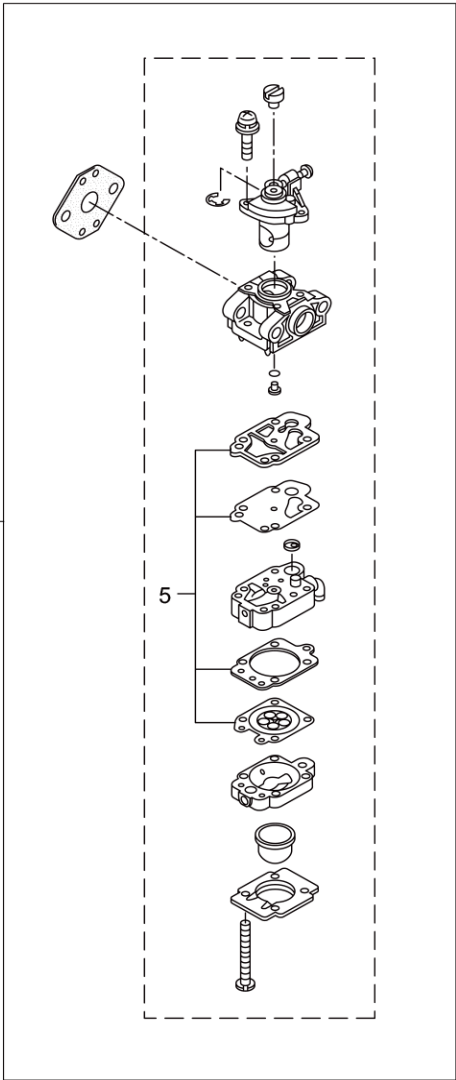
1



2

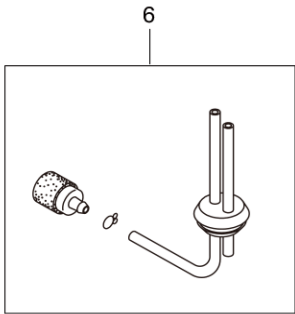


3



4

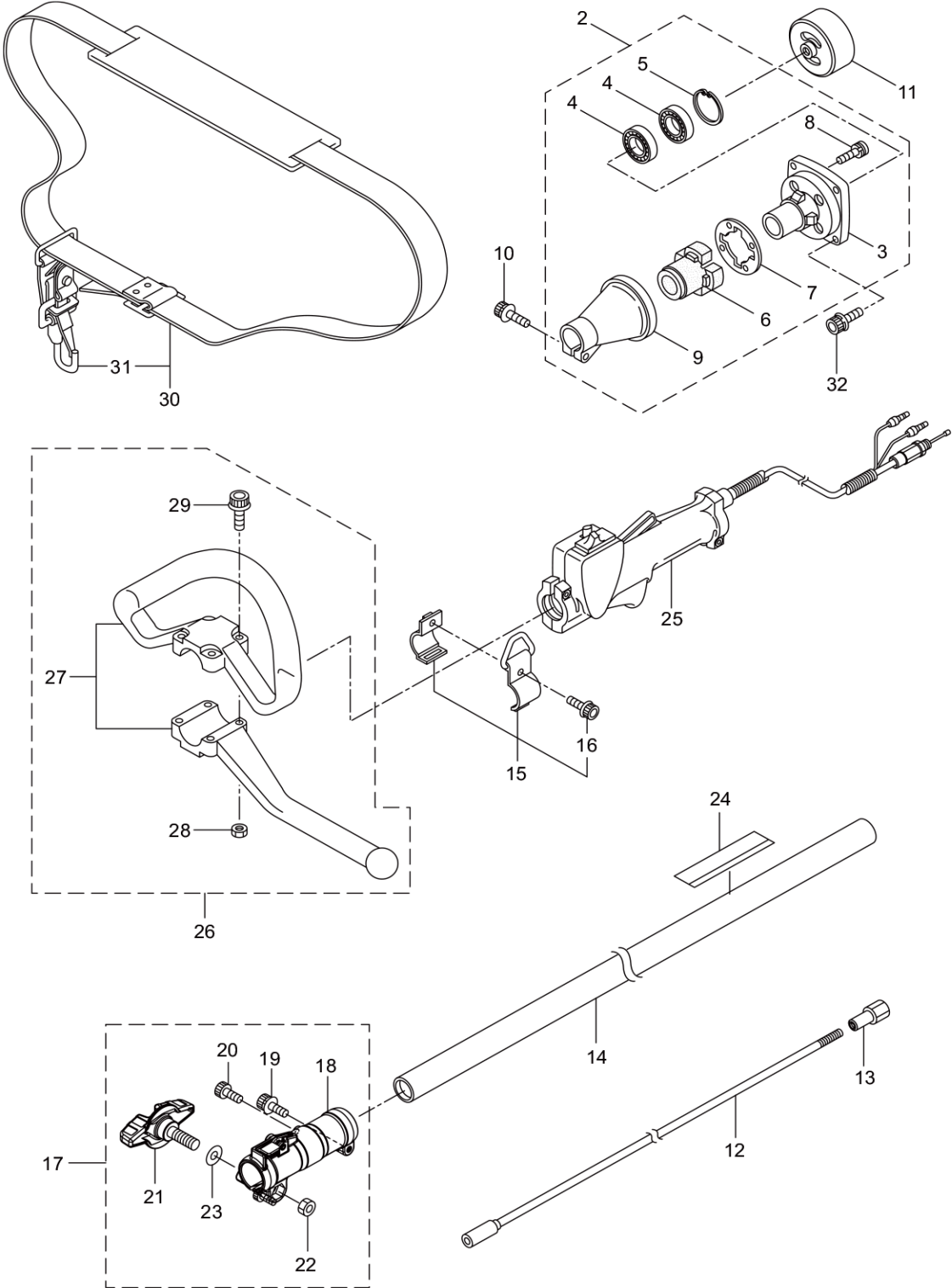
5



6

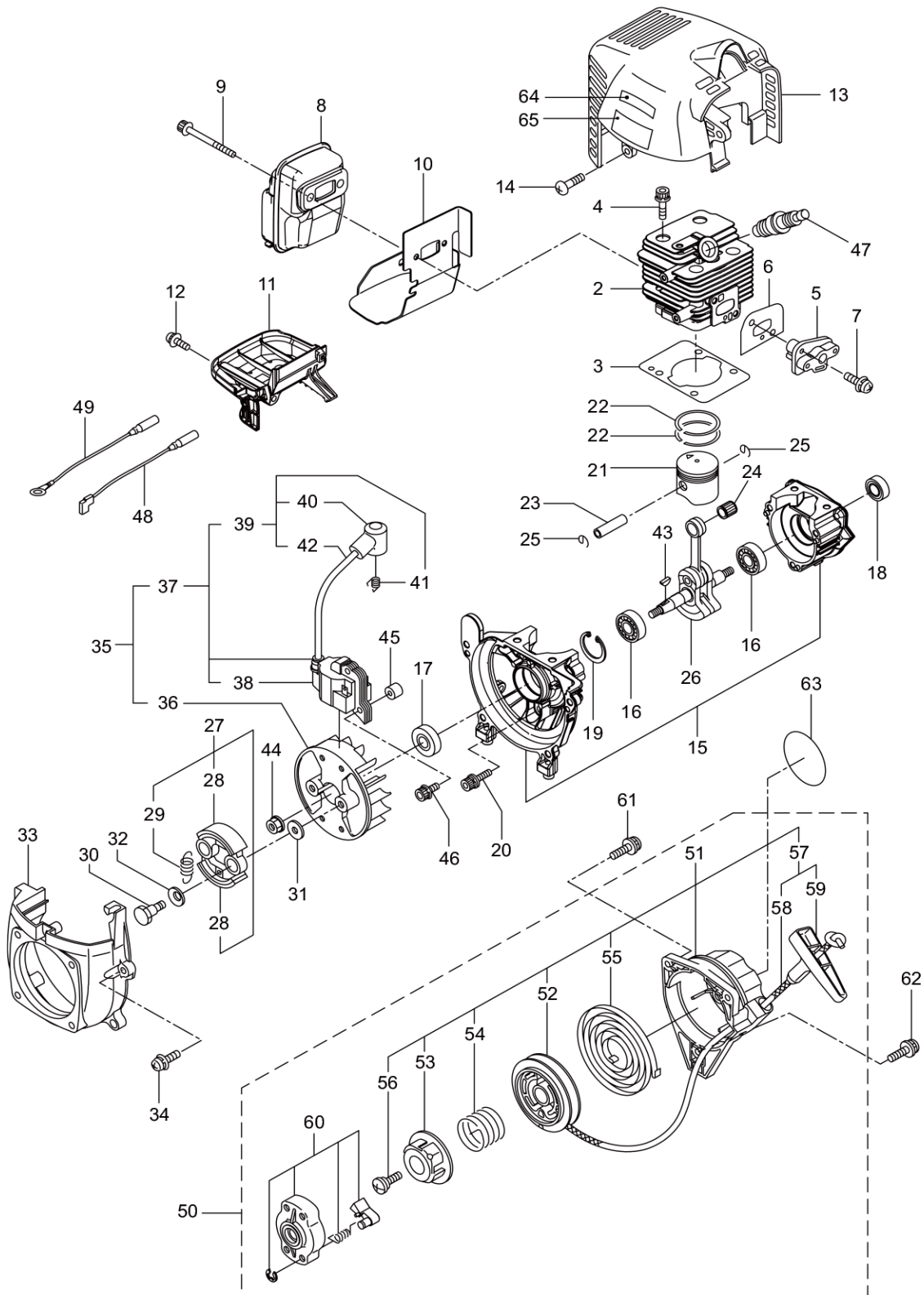
Status	Position	Parts Number	Parts Name	Unit Quantity	Set Unit Quantity	Specification	Remarks	Maker code
	1	247688	CYLINDER KIT	1				
	2	247689	PISTON KIT	1				
	3	246924	CLUTCH KIT	1	5			
	4	248508	Carburetor Kit	1			Incl.5	
	5	247867	CARBURETOR PARTS KIT	1	5			
	6	247864	FUEL HOSE/FILTER KIT	1	5			

MC2630RS
2. MAIN BODY



Status	Position	Parts Number	Parts Name	Unit Quantity	Set Unit Quantity	Specification	Remarks	Maker code
	1	364566	MC2630RS(EU01)	1				
	2	215512	CLUTCH HOUSING ASSY	1			Incl.3-9	
	3	214592	HOUSING	1				
	4	214161	BEARING 6000ZZ	2		#6000ZZ	#6000ZZ	
	5	054676	RING SNAP	1	5	アサツク26	#26	
	6	560309	RUBBER	1		214162/タイ		
	7	214163	WASHER	1				
	8	092033	SCREW	4	10	M5X15	M5x15	
	9	214593	PIPE BRACKET	1		トウナブ		
	10	261246	CAP SCREW	1	5	M5X25	M5x25	
	11	229091	CLUTCH DRUM ASSY	1		54XM7		
	12	236836	INNER SHAFT	1		7XM7X802L/SP-20		
	13	211464	UPPER ADAPTER	1		M7		
	14	242650		1				
	15	215533	HANGING BRACKET ASSY	1		(24)アサツクホルト	Incl.16	
	16	261762	SCREW	1		M5X14	M5x14	
	17	237165	JOINT PIPE	1		24/シカク	Incl.18-23	
	18	237166	JOINT PIPE	1		24/シカク タ/レバ -ツキ		
	19	261246	CAP SCREW	1	5	M5X25	M5x25	
	20	283139	SCREW	1	5	M5X12	M5x12	
	21	236962	KNOB	1		M8X26L	M8x26	
	22	126990	NUT	1	5	M8 2ツ1	M8	
	23	550131	WASHER	1	10	M8 ミカキマル 刃	M8	
	24	238126	LABEL	1		MC2630RS	MC2630RS	
	25	235078	Throttle Lever Assy (235078)	1				
	26	231955	LOOP HANDLE ASSY	1		タイセイ 24 ハリアツキ	Incl.27-29	
	27	225699	LOOP HANDLE	1		タイセイ 24 ハリアツキ		
	28	081027	NUT	4	5	M5X0.8 1ツ1	M5	
	29	215608	CAP SCREW	4	5	M5X30X16	M5x30x16	
	30	220533	SHOULDER STRAP ASSY	1		Y95 1700Lフタツキ	Incl.31	
	31	231657	HOOK	1		NO.07017D		
	32	261250	CAP SCREW	4	5	M5X20	M5x20	

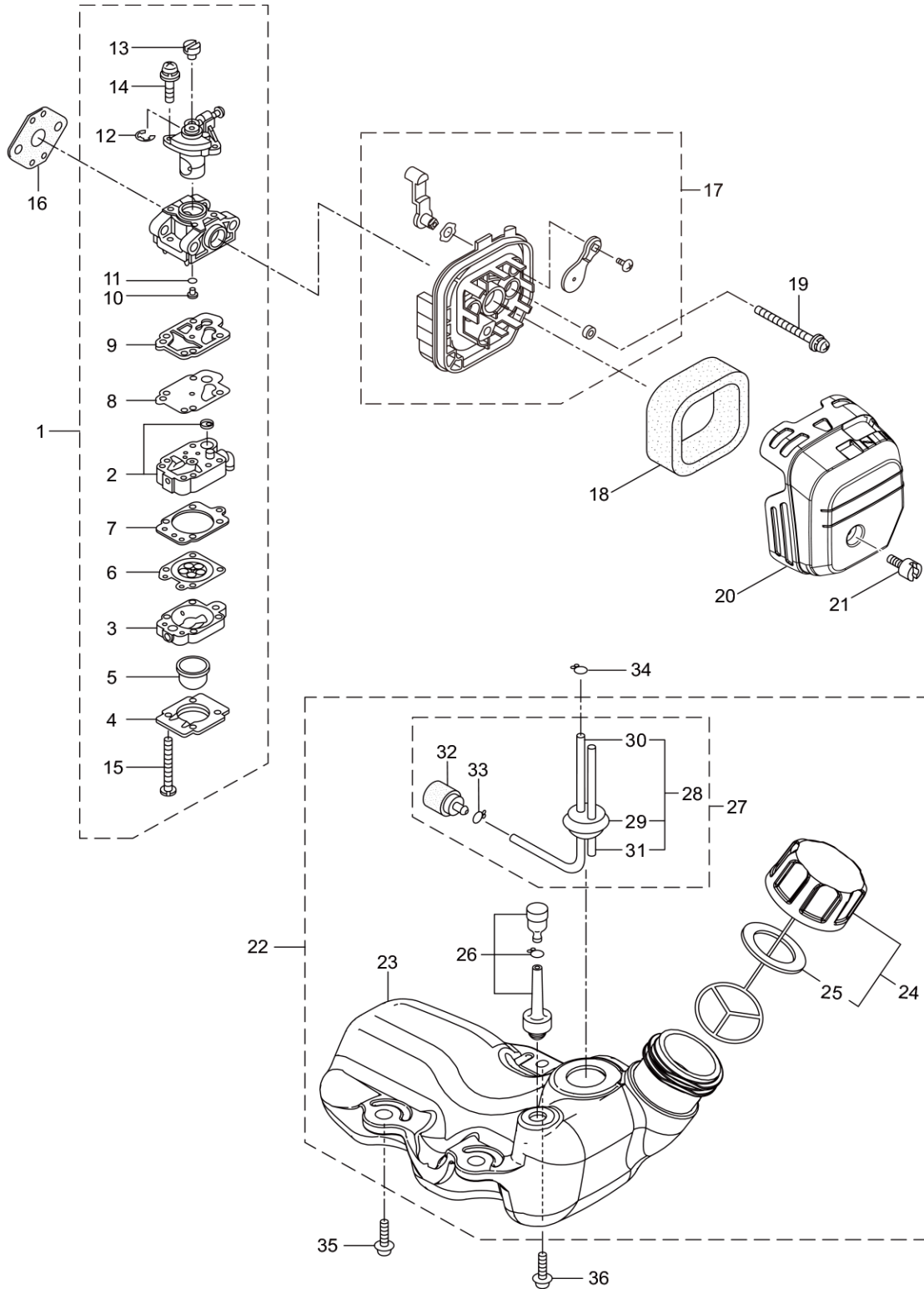
MC2630RS
3. ENGINE



Status	Position	Parts Number	Parts Name	Unit Quantity	Set Unit Quantity	Specification	Remarks	Maker code
	1	859841		1			EE262/02	
	2	273153	CYLINDER	1				
	3	282330	GASKET	1	5	T=0.5		
	4	261250	CAP SCREW	4	5	M5X20	M5x20	
	5	282579	INSULATOR	1		BL300		
	6	267049	GASKET	1	5			
	7	269826	SCREW	2	5	M5X25WSWナ+ミ	M5x25	
	8	246656	MUFFLER ASSY	1		EE ティル		
	9	266402	CAP SCREW	2	5	M5X55ワソナ [®]	M5x55	
	10	247074	GASKET	1				
	11	246083	UNDER COVER	1				
	12	269827	SCREW	1	5	M5X16WSWナ	M5x16	
	13	247230		1		EE261アカツナナ		
	14	280144	TAPPING SCREW	1	5	トリス2シ11M4X16	4X16	
	15	563680	CRANKCASE	1				
	16	280488	BEARING 6001C3	2		6001 C3リハ [®] ツト	PPL 6001	
	17	261492	OIL SEAL	1		ISCD12287カ [®] リスナ	ISCD12287	
	18	261386	OIL SEAL	1		ISCD12227カ [®] リスナ	ISCD12227	
	19	055185	SNAP RING #28	1	5	アホヨ28	H28	
	20	261612	CAP SCREW	3		M5X30	M5x30	
	21	273155	PISTON	1				
	22	261496	PISTON RING	2			(2)Required	
	23	261497	PISTON PIN	1		5.7X8X27.5		
	24	261037	BEARING NEEDLE KBK8X11X11.8X1	1		KBK8X11X11.8X1	KBK8x11x11.8x1	
	25	261576	CLIP PISTON	2				
	26	277939	CRANK SHAFT	1		EE260ヨ		
	27	248058	CLUTCH ASSY	1		54ヨクワツチ	Incl.28,29	
	28	248059		2				
	29	269173	SPRING	1		COR12010003		
	30	269647	CLUTCH BOLT	2				
	31	269175	WASHER	2	5	6.1X15X1.6	6.1x15x1.6	
	32	261777	WAVE WASHER	2	5			
	33	283386	FAN COVER	1				
	34	269831	SCREW	4	5	M5X20WSWナ	M5x20	
	35	282692	MAGETO ASSY	1		10010-23651	Incl.36-42	
	36	261356	ROTOR	1		10701-30541		
	37	282693	IGNITION COIL ASSY	1		SHIC	Incl.38-42	
	38	267401	COIL	1		10735-30612		
	39	282694	SPARK PLUG WIRE ASSY	1			Incl.40-42	
	40	261074	PLUG BOOT	1		10855-40131		
	41	261075	CONNECTOR	1		10805-40061		
	42	282695	SPARK PLUG WIRE	1				
	43	261076	WOODRUFF KEY 3X10	1	5	Aヨ1 3X10	3x10	
	44	261417	NUT ROTOR M8	1	5	M8	M8	
	45	280381	SPACER	2	5			
	46	261256	BOLT	2	5	M4X25	M4x25	
	47	288264	SPARK PLUG	1		NGK BPMR8Y	BPMR8Y	
	48	267492	LEAD	1		130Bハ9HCBH	130L	
	49	282880	WIRE LEAD	1		95BM5 CBH		
	50	282404	RECOIL STARTER ASSY	1		EE260ヨ	Incl.51-60	
	51	282405	RECOIL STARTER ASSY	1		タ [®] ソル [®] - EE260ヨ	Incl.52-59	
	52	283411	RECOIL REEL	1				
	53	283412	CAM PLATE	1				
	54	280930	DAMPER SPRING	1				
	55	280931	SPIRAL SPRING	1				
	56	267213	SCREW	1		A607 012 000 80		
	57	280932	ROPE ASSY	1			Incl.58,59	
	58	280933	STARTER ROPE	1				
	59	267219	STARTER GRIP	1				
	60	280934	STARTER PULLEY ASSY	1				

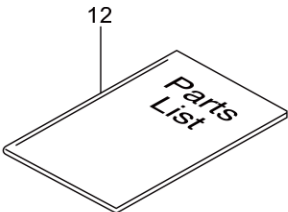
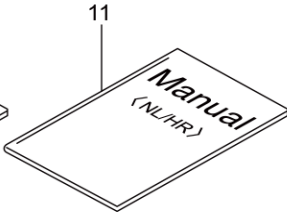
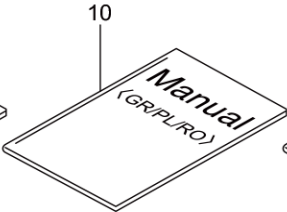
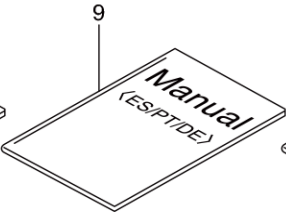
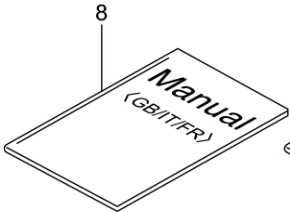
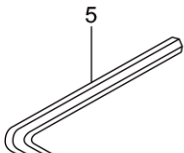
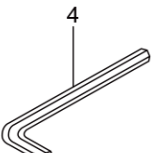
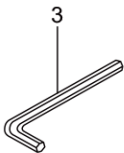
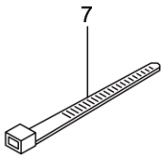
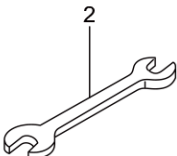
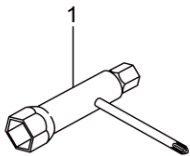
Status	Position	Parts Number	Parts Name	Unit Quantity	Set Unit Quantity	Specification	Remarks	Maker code
	61	280489	SCREW	2	5	M4X20WSWナ	M4x20	
	62	269833	SCREW	1	5	M4X16WSWナ+ミ	M4x16	
	63	276330	RECOIL LABEL	1				
	64	284587	LABEL	1		CE/PLラベル 4マ-ク		
	65	286122	LABEL	1		MARUYAMA	MARUYAMA	

MC2630RS
4. CARBURETOR, FUEL TANK



Status	Position	Parts Number	Parts Name	Unit Quantity	Set Unit Quantity	Specification	Remarks	Maker code
	1	276328	CARBURETOR	1		WYL-347	Incl.2-15	
	2	281597	BODY	1		WB5-2904		
	3	262991	PURGE BODY	1		WB5-2557		
	4	262992	COVER	1		WB21-3147		
	5	261874	PRIMER	1		WB188-12		
	6	283905	DIAPHRAGM METERRING	1		WB95-614		
	7	262993	GASKET	1		WB92-359		
	8	262994	DIAPHRAGM	1		WB95-99		
	9	282576	GASKET	1		WB92-415		
	10	285030	MAIN JET	1		WB112-3070-340		
	11	261871	O-RING	1		WB16-104		
	12	261876	RING	1		WB16-71		
	13	261658	SWIVEL	1		WB52-34		
	14	264682	SCREW	2		WB96-364		
	15	262996	SCREW	4	5	WB96-425		
	16	261864	GASKET	1	5			
	17	248152	CASE ASSY	1		1.0 WYL㊦		
	18	269030	ELEMENT	1		HR-50㊦㊦		
	19	281777	SCREW	2	5	M5X55WSW㊦	M5x55	
	20	246542	CLEANER COVER	1		㊦ MARUYAMA		
	21	269031	CAP SCREW	1	5	㊦㊦ M5X12	M5x12	
	22	276310	TANK ASSY	1			Incl.23-33	
	23	273467	FUEL TANK	1				
	24	275306	FUEL TANK CAP ASSY	1			Incl.25	
	25	274875	PACKING	1		KRYNAC4975F		
	26	261696	BREATHER ASSY	1				
	27	265752	FUEL PIPE	1			Incl.28-33	
	28	264031	FUEL PIPE ASSY	1			Incl.29-31	
	29	261115	GROMMET	1				
	30	261690	FUEL PIPE	1		3X5X160L(㊦)	160L	
	31	263038	RETURN PIPE	1		3X6X85(㊦)	3x6x85L	
	32	277887	FILTER ASSY	1		125-935		
	33	261117	CLIP	1				
	34	261117	CLIP	1				
	35	269828	SCREW	2	5	M5X16W㊦-11.6	M5x16	
	36	281208	SCREW	1	5	M5X16W㊦+㊦	M5x16	

MC2630RS
5. ACCESSORIES



Status	Position	Parts Number	Parts Name	Unit Quantity	Set Unit Quantity	Specification	Remarks	Maker code
	1	210418	BOX SPANNER	1		13X19X(+) ^ト 54 ^メ	13x19x(+)	
	2	022865	DOUBLE-ENDED SPANNER	1		8X10	8x10	
	3	219431	SPANNER	1		2 ^メ 4 ^メ 3	3mm	
	4	219432	WRENCH	1		2 ^メ 4 ^メ 4	4mm	
	5	219433	WRENCH	1		2 ^メ 4 ^メ 5 12 ^メ	5mm	
	6	234954	COLGATE TUBE	1		3 ^ヒ 15 60L スリット	60L	
	7	234955	BAND	1		3.4X145L 切	3.4x145L	
	8	237671		1		3 ^カ 切 ^ク GB/IT/FR	GB/IT/FR	
	9	237672		1		3 ^カ 切 ^ク ES/PT/DE	ES/PT/DE	
	10	237673		1		3 ^カ 切 ^ク GR/PL/RO	GR/PL/RO	
	11	238130		1		2 ^カ 切 ^ク NL/HR	NL/HR	
	12	524179		1		MC2630RS(EU01)	MC2630RS	