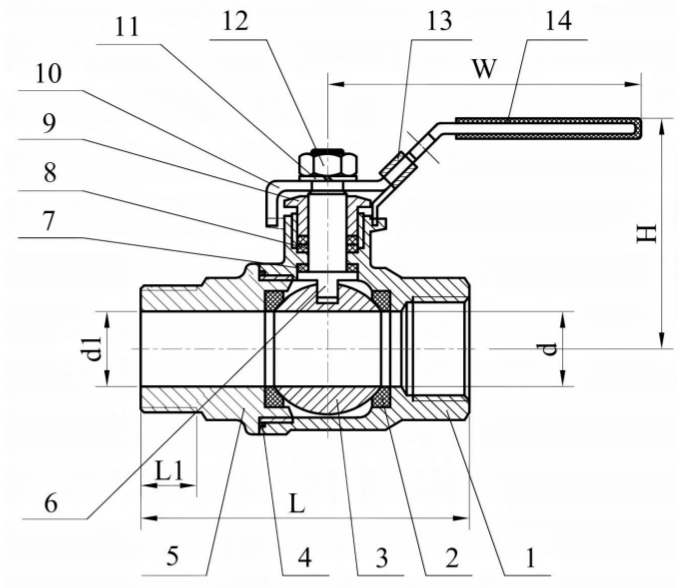


2-PC BALL VALVE

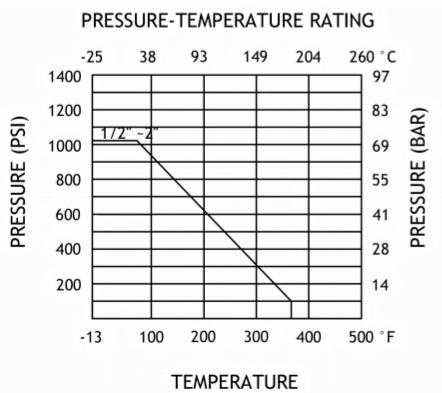


MV-21N(FM)

- Investment casting for body and cap
- Thread: ISO, BS, DIN, JIS, ASME
- Pressure rating: 1000 PSI (PN63)
- Working temperature: -25°C~+ 180°C
- Material: CF8M, CF8, CF3M, WCB

MATERIAL LIST

| ITEM | PARTS | MATERIAL | QTY. |
|------|---------------|----------|------|
| 1 | Body | CF8M | 1 |
| 2 | Ball Seat | R-PTFE | 2 |
| 3 | Ball | SS316 | 1 |
| 4 | Body Gasket | PTFE | 1 |
| 5 | Cap | CF8M | 1 |
| 6 | Stem | SS316 | 1 |
| 7 | Thrust Washer | PTFE | 1 |
| 8 | Stem Packing | PTFE | 1 |
| 9 | Gland Nut | SS304 | 1 |
| 10 | Handle | SS304 | 1 |
| 11 | Spring Washer | SS304 | 1 |
| 12 | Nut | SS304 | 1 |
| 13 | Lock Device | SS304 | 1 |
| 14 | Handle Cover | Plastic | 1 |



DIMENSION LIST

| SIZE | d | d1 | L | L1 | H | W | N.m | Kgs |
|--------|----|----|-----|----|----|-----|-----|------|
| 1/2" | 15 | 15 | 66 | 13 | 50 | 95 | 4.5 | 0.25 |
| 3/4" | 20 | 20 | 75 | 17 | 56 | 100 | 5.5 | 0.30 |
| 1" | 25 | 25 | 86 | 19 | 67 | 115 | 9 | 0.55 |
| 1-1/4" | 32 | 32 | 100 | 21 | 75 | 127 | 10 | 0.95 |
| 1-1/2" | 38 | 38 | 110 | 21 | 87 | 146 | 24 | 1.20 |
| 2" | 49 | 49 | 125 | 26 | 92 | 158 | 35 | 1.75 |