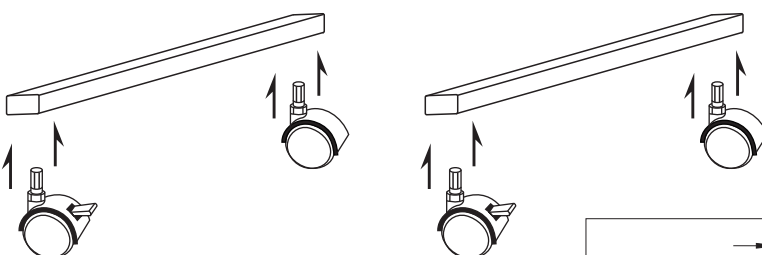
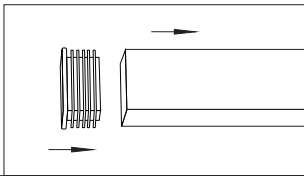


INSTRUCTIONS

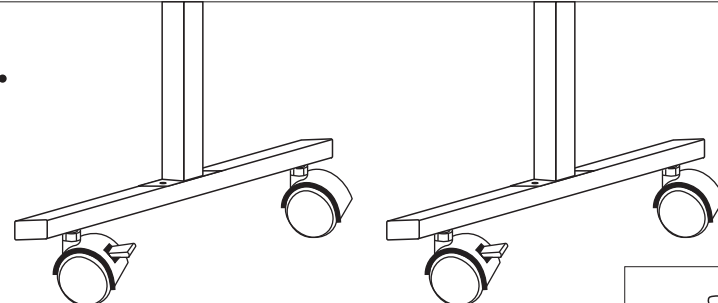
1.



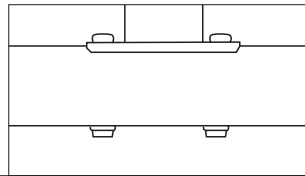
Casters connected to tube.
Put endcap onto the tube




2.



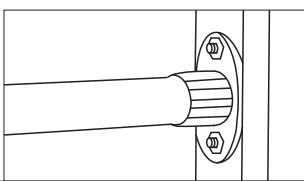
Connect risers to the casters



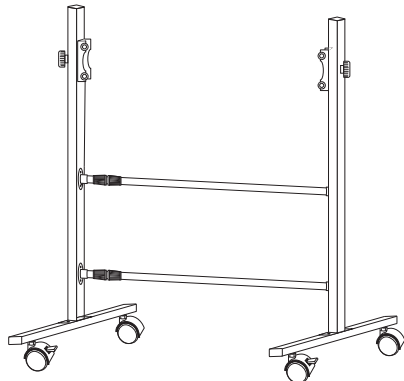
3.



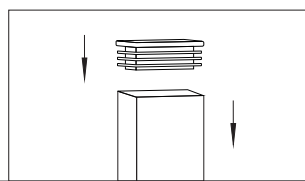
Connected the telescopic crossbar to the risers



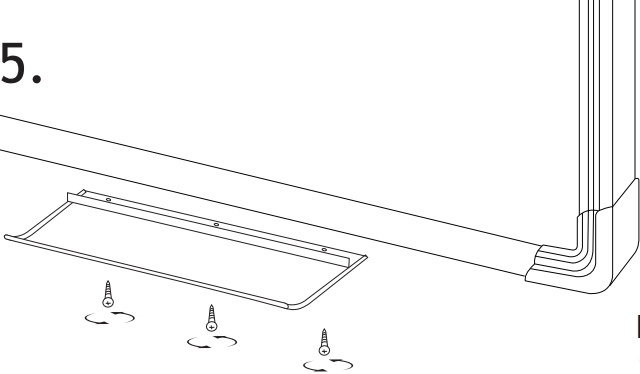
4.



Install the retaining clips.
Put endcap onto the risers



5.



Install marker tray to the whiteboard

6.



Install the whiteboard

PART LIST

