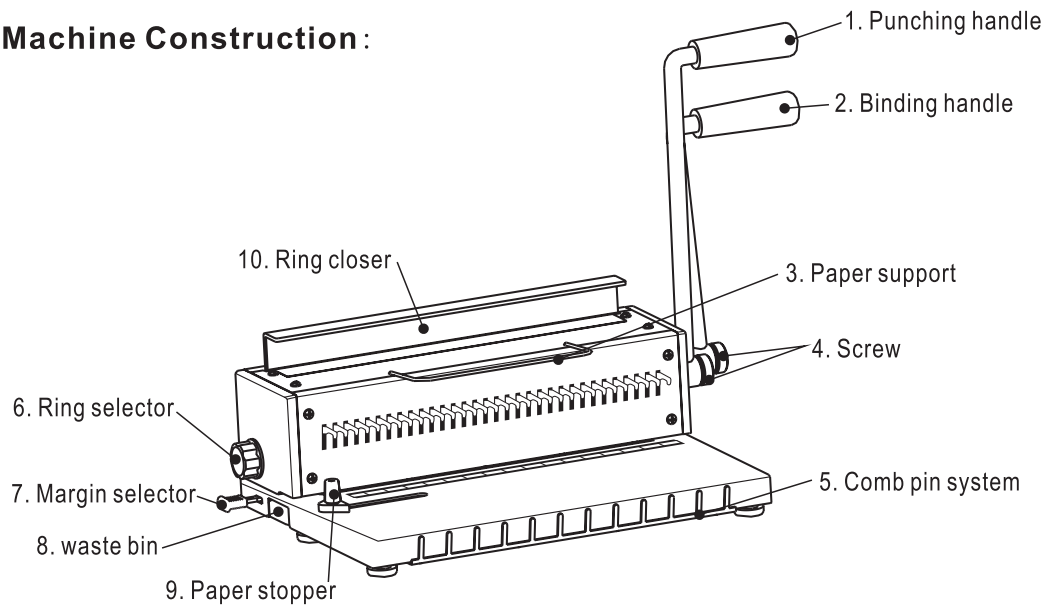


INSTRUCTION MANUAL

WIRE BINDING MACHINE

Machine Construction :



Machine Installation :

1. Put the machine on the flat table.
2. Fix two handles onto the machine by fastening the screws.
3. Installing the paper support onto the housing.

CAUTION

- ! Never punching the paper over the permitted capacity each time. Otherwise, it could damage the machine.
- ! Never punching any material (such as moist paper, fabric, glass, metal material, etc.) except dry paper. Otherwise, it will cause damage.

- ! Clean the waste bin after using. Or clean it timely when long last using.
- ! Never impact the machine and hit the comb pine. It could cause damage or machine works improperly.
- ! Never impact the machine and hit the comb pine. It could cause damage or machine works improperly.
- ! In order to avoid any accident, putting machine to a safety place.
- ! Always keep machine away from child, it could do harmful to them.
- ! Never try to repair the machine by yourself. Please consult or send back to the dealer for repairing.
- ! Forbidding minor or disabled people to use this machine.

OPERATION

1. Set the margin selector to the appropriate position.
(The bigger wire ring used, the more margin kept)
2. Adjust the paper stopper to correct position according to the paper size. The accurate setting will ensures perfect effect of punching.
3. Push the paper(s) into the binding machine until reaching the margin limit board. The quantity of paper can not be over the machine capacity .
4. Press down the punching handle for punching. Then pull it up back to the beginning position. the punching process finished. (see figure 1)
5. Rotate the ring selector to the corresponding scale of the ring.
6. Hook the ring on comb pin system, load papers to the ring (the teeth of the wire ring and the holes of the paper must be matched well)
7. Place the wire ring (with paper) between the ring closer and ensure the wire ring been magnetic absorbed.
8. Press down the binding handle slowly until reaching the position limit.
(In order to get perfect binding effect, rotate the ring selector slightly more or less till binding out the perfect effect.)(see figure 2)

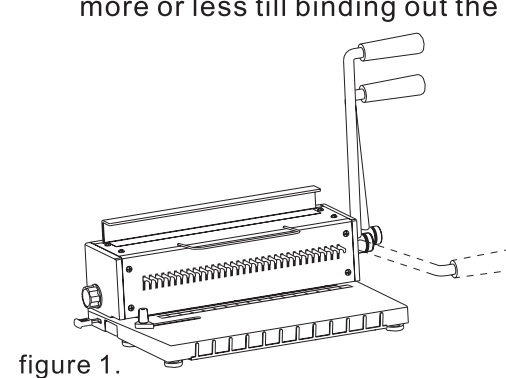


figure 1.

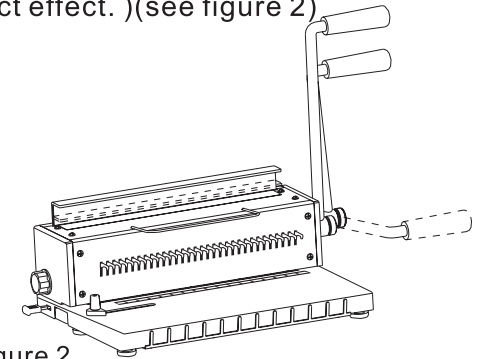


figure 2.