



THE WOOD GASIFYING BOILER
ATTACK[®] SLX, DPX, DP
STANDARD / PROFI / LAMBDA TOUCH / COMBI PELLET



WWW.ATTACK.SK

ABOUT THE COMPANY ATTACK



ABOUT THE COMPANY ATTACK, S.R.O.

- *The largest Slovak producer of heat technology with purely Slovak capital and sole owner*
- *Satisfied customers in more than 49 countries of the world*
- *Wide assortment of products*
- *44 sale points in Slovak republic*
- *709 service points in Slovak republic*
- *3 centres of development and research in Slovak republic*
- *More than 150 employees (SK, CZ, HU)*
- *The ATTACK, s.r.o. company is holder of the quality certificate ISO 9001 for boiler manufacturing, service and management*

PRODUCT PORTFOLIO

The product portfolio of the ATTACK, s.r.o. company is characterized by wide assortment of the ATTACK® products, classified by concrete product type, output and kind of fuel.

- *wood*
- *natural gas / LPG-propane*
- *solar technique*
- *accumulation tanks*
- *wood pellets, resp. biomass*
- *electrical energy*
- *D.H.W. tanks*
- *radiators*

In this moment has the ATTACK, s.r.o. company the widest product portfolio in comparison with the competitors.

AWARDS



The ATTACK, s.r.o. company struggles to make every product to be among the best in its class. Almost all our product groups have achieved plenty of awards at domestic and international exhibitions, given by the committee of specialists.

CERTIFICATES

The ATTACK, s.r.o. company is holder of the quality certificate ISO 9001 for:

- *boiler design and development*
- *boiler manufacturing*
- *service of boiler and appliances*



All the ATTACK articles are quality premium products made by the latest technology and they are approved and tested for the CE, TÜV, and GOST certificates, granted by world prestigious test institutes

RESEARCH AND DEVELOPMENT

The ATTACK, s.r.o. company has its own research and development centre. The company emphasizes development of sophisticated and innovative products of high quality, competitive on the European as well as on the world markets.

All the ATTACK® products are designed and developed in conformity with appropriate norms, specifications, juridical and other prescriptions. Suitable components are selected under the strictest criteria. Only reliable and by long-time utilization approved components and materials from prestigious suppliers can be used for assembly of the ATTACK® boilers. The ATTACK, s.r.o. does not cooperate in development with other producers, but struggles to be a step before the competition.

THE ATTACK PRODUCTION PLANT

Assembly of the floor standing and wall hung boilers

The ATTACK, s.r.o. manufactures their products in the own production halls. Production is divided into the manufacture of biomass boilers from cast iron and steel, wall hung gas boilers and floor standing cast iron boilers.

Production of the biomass boilers

The ATTACK, s.r.o. disposes with the latest and the most advanced technology for boiler production (robotized welding workstations, laser workstation, CNC workstation, etc.) which exceeds the actual European standard in many ways and markedly increases quality and service life of the final products.

Technology of the biomass boiler production

There are the highest requirements for the ATTACK® product quality. The boilers are made from the special boiler sheet metal.



WHY TO CHOOSE THE ATTACK TRADEMARK?

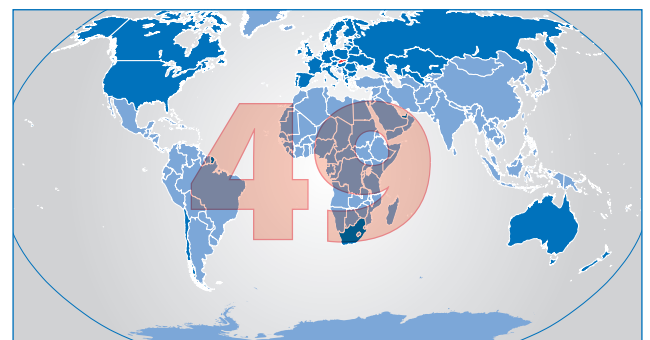
- The company produced more than 500 000 pieces of products until now
- The latest production technologies used to manufacture the ATTACK® products
- Innovative solutions

- Excellent customer and emission values of the products
- Complete technical support
- Top products of the best quality, functionality and design
- Training organized for customers and partners anywhere in the world
- Wide assortment of products for biomass and gas and solar technique from one manufacturer

EXPORT ACTIVITIES

Export activities of the ATTACK company have been developed in more than 49 countries of the world and this number is still increasing. Nowadays we export our products to all EU countries, Russia, USA, Canada, New Zealand... The modern wood gasifying and pellet boilers have gained the biggest interest and they are demanded in Europe and in America as well. Our floor standing gas boilers represent us even in the far Siberia.

In different countries there is demand for different products. Personal approach to every customer helps us to fulfil particular requirements and to achieve more and more satisfied customers. The ATTACK, s.r.o. company is able to satisfy everyone thanks to the wide product offer.



MODEL STRUCTURE OF THE ATTACK® BOILERS

THE NEW LINE OF ATTACK BOILERS FOR WOOD AND PELLETS

Model Line 3000



ATTACK FD PELLET

- **ATTACK FD 20 – 42 PELLET**

- **Output: 8–30 kW FD PELLET**
- **Efficiency: 88 % FD PELLET**

Fully automatic burner operation

Compact design, easy control, information on LCD display

Boiler efficiency by nominal output of 88 %

Automatic grate cleaning, adjustable according to the quality of the pellets used

Automatic start – ignition and termination of the burning process

Precise measuring of the flame intensity by photocell

Possibility to set the output within the range of 8–30 kW

Burner operation controlled by the room thermostat or thermal probe

Possibility to adjust combustion according to the fuel used

Quality stainless steel of the combustion chamber and burner grate

Safety kits for protection against back burning, 4× protection against overheating – the emergency, boiler, flue gas thermostat and after-cooling circuit

Multilingual menu, option to set wide range of parameters

Indication of the operating states

Error diagnostics

Model Line 5000



ATTACK DP

- **ATTACK DP 25–95 STANDARD**
- **ATTACK DP 25–95 PROFI**

- **Output: 25–95 kW**
- **Efficiency: 86,2–90,5 %**

Flat rib boiler heat exchanger

Voluminous feeding chamber of the boiler to ensure

longer burning by one load

Customer comfort, reliability of operation, easy use and maintenance

Manufactured from special boiler steel of 6 mm thickness to ensure long life of the boiler

Adjustable rotations of fan – the PROFI modification – PID version

Exhaust fan for balanced, effective combustion and dustless operation

Possibility to load big wood logs saves time for chopping the wood into smaller pieces, it is only necessary to prepare the wood logs of 0,5 m

Left door and right door version

Refractory shaped pieces, heat resistant up to 1 350 °C to ensure the best burning parameters and boiler life

Model Line 6000



ATTACK DPX

- **ATTACK DPX 15–45 STANDARD**
- **ATTACK DPX 15–80 PROFI**
- **ATTACK DPX 15–45 LAMBDA**
- **ATTACK DPX 25–50 COMBI Pellet**

- **Output: 15–80 kW**
- **Efficiency: 86,5–91,3 %**

High efficient tubular exchanger „flue gas-water“ with movable turbulators

Voluminous feeding chamber of the boiler ensures longer heating by one fuel load

Exchanger is cleaned by turbulators moved by lever; clean exchanger = high efficiency = lower operating costs, fuel saving

Improved electronics with fluent PID regulation of fan rotations according to the flue gas temperature – the PROFI modification, version PID

Adjustable fan rotations – the PROFI modification, version PID, LAMDA Touch

Flue gas fan for balanced and effective combustion and dustless operation

Possibility to load big wood logs (from 25 kW output) saves time for chopping the wood into smaller pieces, it is only necessary to prepare the wood logs of 0,5 m

Automatic control of the heat-up flap, connected with the feeding door

Option of the LAMBDA Touch version – the most advanced technology of the burning process control to achieve the excellent values of emissions and efficiency

Option to burn alternative fuel types like olive pits and crushed pits in the automatic burners with the output of 30 and 50 kW – the COMBI Pellet modification

Refractory shaped pieces, heat resistant up to 1 350 °C to ensure the best burning parameters and boiler life

Model Line 7000



5^{emission class}

ATTACK SLX

- **ATTACK SLX 20–55 PROFI**
- **ATTACK SLX 20–55 LAMBDA Touch**

- **Output: 20–55 kW**
- **Efficiency: 90,3–91,8 %**

High efficient tubular exchanger „flue gas-water“ with movable turbulators

Extraordinary volume of the feeding chamber of 200–230 l to ensure longer heating by one fuel load

Optional dry coat placed around the whole feeding chamber – increased protection against creation of tar in the chamber

Adjustable fan rotations – the PROFI modification, version PID

Exhaust fan for balanced, effective combustion and dustless operation

Possibility to load big wood logs saves time for chopping the wood into smaller pieces, it is only necessary to prepare the wood logs of 0,5 m

Automatic control of the heat-up flap, connected with the feeding door

Option of the LAMBDA Touch version – the most advanced technology of the burning process control to achieve the excellent values of emissions and efficiency

Improved electronics with fluent PID regulation of fan rotations according to the flue gas temperature – the PROFI modification, version PID

Refractory shaped pieces, heat resistant up to 1 350 °C to ensure the best burning parameters and boiler life

Model Line 8000



5^{emission class}

ATTACK PELLET

- **ATTACK PELLET 30 AUTOMATIC Plus**

- **Output: 8–30 kW**
- **Efficiency: 90,6 %**

High efficient tubular exchanger equipped with spiral turbulators that ensure better heat transfer in the exchanger, higher boiler efficiency and cleaning of the exchanger

The pellet burner with fully automatic operation (i.e. ignition and extinguishing), automatic cleaning and error diagnostics

Automatic cleaning of the tubular exchanger

Automatic boiler operation ensuring high user comfort

Automatic ash removing into the detachable container

Automatic fuel supply

Stainless steel ATTACK burner – combustion chamber and grate are made from the quality stainless steel

Automatic grate cleaning, adjustable adequately to the quality of the pellets used

Option to connect various types of fuel feeders

Safety kits for protection against back burning, 4× protection against overheating – emergency, boiler, flue gas thermostat and after-cooling circuit

Option of additional heating by a coil with output up to 6 kW that can be also used as an antifreeze protection

Model Line 9000



5^{emission class}

ATTACK W&P

- **ATTACK WOOD&PELLET**

- **Output: wood 12,5–25 kW, pellets 9–30 kW**
- **Efficiency: wood 90,5 %, pellets 90,4 %**

Innovative combined boiler – 2 operating modes – maximum user comfort

Extraordinary feeding chamber of the boiler to ensure longer heating by one fuel load

Automatic cleaning of turbulators and pellet chamber – the highest comfort

Optional dry coat around the whole feeding chamber – increased protection against creation of tar in the chamber

The pellet burner with fully automatic operation (i.e. ignition and extinguishing), automatic cleaning and error diagnostics

Automatic combustion of pellets and wood – one chimney

Stainless steel ATTACK burner – combustion chamber and grate are made from the quality stainless steel

Automatic grate cleaning, adjustable adequately to the quality of the pellets used

Option to connect various types of fuel feeders

Operation with wood is automatically switched to the operation with pellets – flexible fuel choice

Sophisticated electronics with the LAMBDA Touch 6 inch display – the most advanced technology of combustion process control used to achieve the excellent values of emissions and efficiency

User comfort, reliability of operation, easy use and maintenance

Multiple protection system

Reliable flame supervision

Possibility to load big wood logs saves time for chopping the wood into smaller pieces, it is only necessary to prepare the wood logs of 0,5 m

Option to start, watch, control and stop the boiler via internet or by Smart phone

Left and right door version

Cyclonic separator is delivered together with the boiler

Option to place the pellet tank next to the boiler or in the distance up to 10 m

THE WOOD GASIFYING BOILER

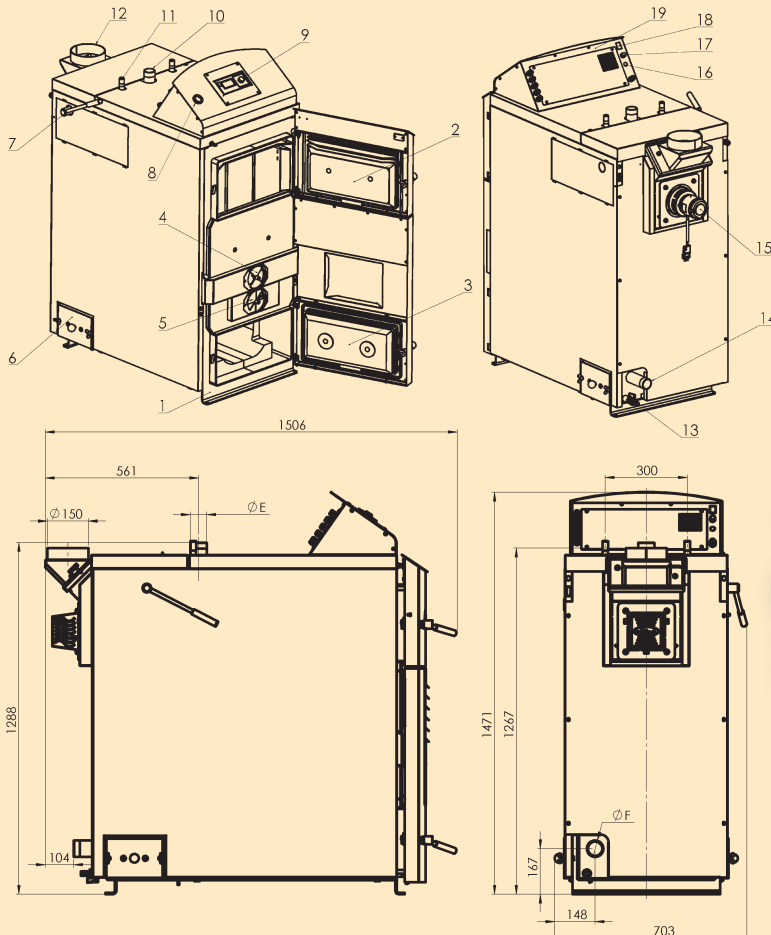
The wood gasifying boilers **ATTACK® SLX** in the versions **PROFI** and **LAMBDA Touch** are intended for economical and ecological heating of dwelling houses, cottages, small plants, work rooms and similar objects. Prescribed fuels for **ATTACK® SLX** boilers are dry wood and pellets. By full utilization of the feeding chamber there is possibility of the continual burning for 8–12 hours.

BOILER ADVANTAGES

- Modern and innovative boiler design of ecological boiler
- High efficient tubular exchanger "flue gas-water" with turbulators
- Boiler efficiency of 90,3–91,8 %
- Wide output range of 20–55 kW
- 2 modifications – PROFI and LAMBDA Touch
- High combustion efficiency of 91,8 % ensured by the tubular heat exchanger with movable turbulators
- Long time approved construction, thousands of the satisfied customers
- Heat exchanger cleaning by turbulators, by moving the lever, clean exchanger = high efficiency = lower operating costs, fuel saving
- The volume of the boiler's feeding chamber is unique: 200–230 l and ensures longer burning on one fuel load
- Burns soft and hard wood and wood briquettes

- Option of the dry coat placed around the whole feeding chamber – increased protection against tar creation
- Possibility to load big wood logs – length of the feeding chamber is 680 mm (by 20 kW and higher outputs) and enables to load the wood logs of half-meter, which saves time by chopping the wood
- Minimum of ash
- Better burning and lower fuel consumption
- Excellent emissions and efficiency
- Fixed position of the lever for easier cleaning
- User comfort, reliability of operation, easy use and maintenance
- Manufactured from the special boiler steel of 6 mm to ensure long life-time
- Suction fan for balanced and effective burning and dustless operation
- Automatic regulation of the heat-up flap, which is connected with the door of the feeding chamber
- Fluently modulated fan rotations
- Option of the LAMBDA touch modification – the most advanced technology for the burning process regulation, which ensures the excellent values of emissions and efficiency
- Right door version
- Automatic boiler stop after the fuel burns-out
- Equipped with aftercooling circuit against overheating of boiler in the water
- Refractory pieces are resistant up to the temperature of 1 350 °C, which ensure better parameters of burning
- The boiler fulfils criteria of the highest class under the European norm EN303-5

DESCRIPTION AND DIMENSIONS OF THE BOILER ATTACK SLX



KEY:

- | | |
|-----------------------------------|-----------------------------------|
| 1. Boiler body | 13. Drain valve |
| 2. Feeding door | 14. C.H. return connection |
| 3. Door of the combustion chamber | 15. Suction fan |
| 4. Primary air suction | 16. Electrical fuse |
| 5. Secondary air suction | 17. Reset of emergency thermostat |
| 6. Cover of the cleaning opening | 18. Main switch of lambda |
| 7. Lever of turbulators | 19. Control panel |
| 8. Thermo-manometer | |
| 9. Boiler thermostat | |
| 10. C.H. flow connection | |
| 11. Aftercooling circuit | |
| 12. Rotatable Chimney | |





TECHNICAL PARAMETERS

Parameter	Unit	SLX20	SLX25	SLX30	SLX35	SLX40	SLX45	SLX50	SLX55
Nominal output of the boiler	kW	20	25	30	35	40	45	50	55
Output range	kW	10-20	12,5-25	15-30	17,5-35	20-40	22,5-45	25-50	27,5-55
Area of the exchanger	m ²	2,95				3,32			
Volume of the feeding chamber	dm ³	200				230			
Dimensions of the feeding hole	mm	235 × 445							
Prescribed chimney draught	Pa	23							
Prescribed chimney draught	mbar	0,23							
Max. working overpressure of the water	kPa	250							
Pressure loss of the water (ΔT 10K)	kPa	1,9	2,1	2,4	2,7	3,9	4,5	5,2	6,1
Pressure loss of the water (ΔT 20K)	kPa	0,8	0,9	1,2	1,6	1,9	2,1	2,4	3,2
Weight of the boiler	kg	570				650			
Diameter of the flue gas outlet	mm	150							
Height of the boiler	mm	1 472							
Width of the boiler	mm	703							
Depth of the boiler	mm	1 337				1 506			
Depth of the feeding chamber	mm	690				790			
Diameter of the riser pipe "E"	"	G 6/4"				G 2"			
Diameter of the reverse "F"	"	G 6/4"				G 2"			
Protection class	IP	21							
Electrical input at the nominal output	W	42				78			
Electrical input at the minimal output	W	31				52			
Electrical input at the standby mode	W	< 15							
Boiler efficiency	%	91,8	91,6	90,3	90,3	90,4	90,4	90,3	90,3
Boiler class	—	5							
Temperature of the flue gas by the nominal output	°C	165	170	175	180	165	170	170	180
Temperature of the flue gas by the minimal output	°C	130	135	140	145	135	140	140	145
Mass flow of the flue gas by the nominal output	kg/s	0,018	0,020	0,021	0,023	0,027	0,029	0,031	0,033
Mass flow of the flue gas by the minimal output	kg/s	0,008	0,011	0,014	0,016	0,017	0,021	0,022	0,023
Max. noise level	dB	65							
Class and type of the fuel	—	A, Wood logs with relative humidity of 12 % – max. 20 %, Ø 50 – 150 mm							
Average wood consumption	kg/h	5,2	6,5	7,8	9,1	10,4	11,7	13	14,3
Indicative consumption of the wood per season	—	1 kW = 1 m ³							
Max. length of logs	mm	650				750			
Time of burning by nominal output *	h	8	7,2	6,5	5,8	6	5,1	4,6	4
Volume of the water in the boiler	l	117				136			
Recommended volume of the accumulation tank	l	1 500	2 000	2 200	2 500	3 000	3 200	3 500	4 000
Voltage	V/Hz	~230/50							
Range of the setting the temperature of the heating water	°C	65 ÷ 85							
Capacity of the contacts of the boiler regulator (PROFI version)	—	2 A/ ~230 V							

* Dependent on type of fuel and the perfection of feeding the chamber by wood.

THE WOOD GASIFYING BOILER

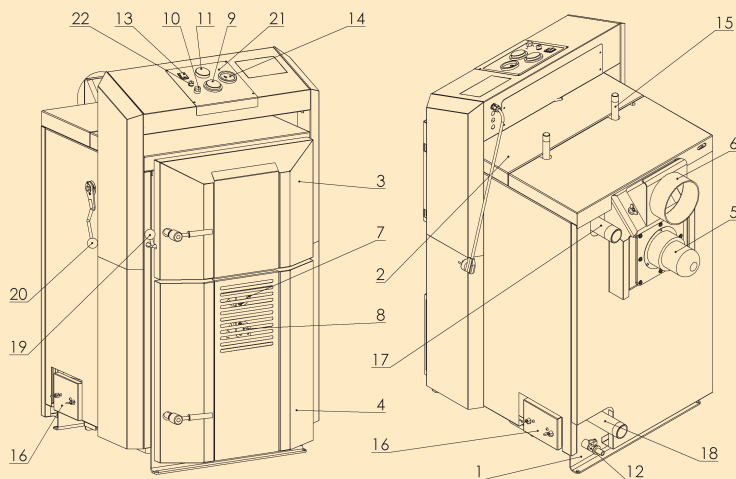
The wood gasifying boilers **ATTACK DPX** in the versions **STANDARD, PROFI, LAMBDA** and **COMBI Pellet** are intended for economical and ecological heating of dwelling houses, cottages, small plants, work rooms and similar objects. Prescribed fuels for **the ATTACK DPX boilers** are dry wood and pellets. By full utilization of the feeding chamber there is possibility of the continual burning for 8–12 hours.

BOILER ADVANTAGES

- Modern and innovative boiler design
- High efficient tubular exchanger “flue gas-water” with turbulators
- Long time approved construction, thousands of the satisfied customers
- Boiler efficiency of 86,5–91,3 %
- Wide output range of 15–80 kW
- 4 modifications – STANDARD, PROFI, LAMBDA and COMBI Pellet
- High combustion efficiency of 91 % ensured by the tubular heat exchanger with movable turbulators
- Extraordinary voluminous feeding chamber of the boiler, which ensures longer burning by one fuel load
- Burns soft and hard wood and wood briquettes

- Possibility to load big wood logs – length of the feeding chamber is 580 mm (by 25 kW and higher outputs) and enables to load the wood logs of half-meter, which saves time by chopping the wood
- Minimum of ash
- User comfort, reliability of operation, easy use and maintenance
- Suction fan for balanced and effective burning and dustless operation
- Automatic regulation of the heat-up flap, which is connected with the door of the feeding chamber
- Fluently modulated fan rotations (modification PROFI, LAMBDA)
- Automatic boiler stop when fuel burns out
- Option of the LAMBDA modification – the most advanced technology for the burning process regulation, which ensures the excellent values of emissions and efficiency
- Left and right door version
- Possibility to burn alternative fuel types like olive pits and pit crumb in the automatic burners with of 30 and 50 kW output – the COMBI Pellet modification
- Equipped with aftercooling circuit against overheating of boiler in the water
- Refractory pieces are resistant up to the temperature of 1 350 °C, which ensure better parameters of burning
- The boiler fulfils criteria of the highest class under the European norm EN303-5
- Attention: The Attack DPX 15 boiler is not equipped with turbulators and it has to be cleaned by the tools delivered.

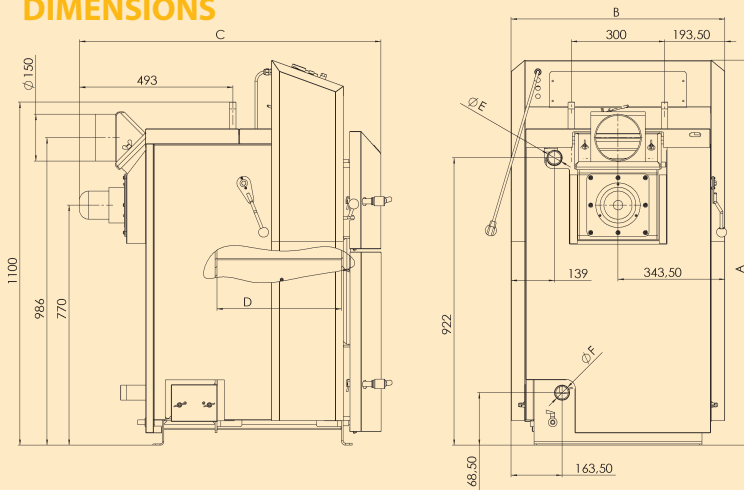
DESCRIPTION OF THE BOILER ATTACK DPX



KEY:

- | | |
|-----------------------------------|-----------------------------------|
| 1. Boiler body | 12. Inlet valve |
| 2. Front upper cover | 13. Main switch |
| 3. Feeding door | 14. Thermo-manometer |
| 4. Door of the combustion chamber | 15. Aftercooling circuit |
| 5. Suction fan | 16. Cover of the cleaning opening |
| 6. Chimney | 17. C.H. flow connection |
| 7. Primary air suction | 18. C.H. return connection |
| 8. Secondary air suction | 19. Pull rod of the chimney flap |
| 9. Boiler thermostat | 20. Lever of turbulators |
| 10. Reset of emergency thermostat | 21. Control panels |
| 11. Flue gas thermostat | 22. Electrical fuse |

DIMENSIONS





TECHNICAL PARAMETERS

Parameter	Unit	DPX15	DPX25	DPX30	DPX35	DPX40	DPX45	DPX80
Nominal output (STANDARD version)	kW	15	25	30	35	40	45	80
Output range (PROFI, LAMBDA versions)	kW	7,5–15	12,5–25	15–30	17,5–35	20–40	22,5–45	32–80
Heat exchange area	m ²	1,98	2,52	2,78	2,78	3,03	3,03	5,6
Volume of feeding chamber	dm ³	82	125	158	158	190	190	440
Dimension of feeding door	mm	235×445	235×445	235×445	235×445	235×445	235×445	292×542
Prescribed chimney draught	Pa	23	23	23	23	23	23	35
Max. operating overpressure of water	kPa	250	250	250	250	250	250	250
Boiler weight	kg	370	430	460	460	490	490	800
Diameter of flue gas connection	mm	150	150	150	150	150	150	200
Boiler height „A“	mm	1 240	1 240	1 240	1 240	1 240	1 240	1 575
Boiler width „B“	mm	700	700	700	700	700	700	915
Boiler depth „C“	mm	840	1 240	1 340	1 340	1 440	1 440	1 891
Length of feeding chamber „D“	mm	400	590	690	690	790	790	1 100
Diameter of flow connection	"	G 6/4"			G 2"			
Diameter of return connection	"	G 6/4"			G 2"			
Grade of protection	IP	21						
El. input	W	32	38	48	54	54	78	90
Boiler efficiency	%	91,3	90,4	90,1	90,1	90,2	90,2	86,5
Boiler class by CO (under the norm EN 303-5)	–	5						
Flue gas temperature by nominal output	°C	170	170	180	180	190	190	204
Flue gas flow by nominal output	kg/s	0,019	0,019	0,021	0,021	0,027	0,027	0,045
Max. noise level	dB	65						
Fuel type	–	Wood logs with relative humidity of 12 % – max. 20 %, Ø 50–150 mm						
Average fuel consumption	kg/h	3,9	6,5	7,8	9,1	10,4	11,75	18,7
Approximate wood consumption per season	–	1 kW = 0,9 m ³						
Max. length of wood logs	mm	350	550	650	650	750	750	1 000
Volume of water in the boiler	l	80	100	110	110	128	128	250
Recommended volume of the accumulation tank	l	375	625	750	900	1 000	1 200	2 000
Connection voltage	V/Hz	~230/50						
Range to set the heating water temperature	°C	65–90						
Range to set the room temperature	°C	10–27						
Capacity of the contacts of the boiler regulator (PROFI version)	–	2 A/230 V						

THE WOOD GASIFYING BOILER

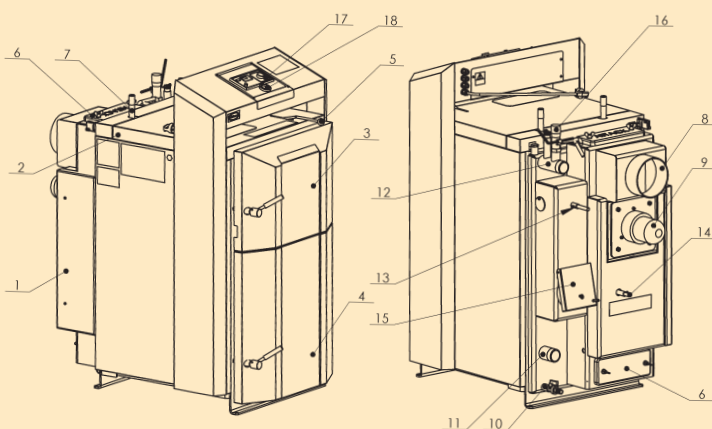
The wood gasifying boiler **ATTACK DP** in modifications **STANDARD** and **PROFI** is intended for economical and ecological heating of the family houses, small plants, work stations and similar objects.

Dry wood and pellets are the prescribed fuel for the **ATTACK DP** boilers. By full utilization of the feeding chamber there is possibility of the continual burning for 8–12 hours.

BOILER ADVANTAGES

- *Modern and innovative design of the ecological boiler*
- *Flat rib heat exchanger*
- *Long time approved construction, thousands of the satisfied customers*
- *High combustion efficiency – low fuel consumption – low emissions*
- *Boiler efficiency of 85,3–86,2 %*
- *Wide output range of 25–95kW*
- *2 modifications – STANDARD and PROFI*
- *Burns soft and hard wood and wood pellets*
- *Extraordinary voluminous feeding chamber of the boiler, which ensures longer burning by one fuel load*
- *Possibility to load big wood logs - length of the feeding chamber is 590 mm (by 25 kW and higher outputs) and enables to load the wood logs of half-meter, which saves time by chopping the wood*
- *Minimum of ash*
- *User comfort, reliability of operation, easy use and maintenance*
- *Manufactured from the special boiler steel of 6 mm to ensure long life-time*
- *Suction fan for balanced and effective burning and dust-less operation*
- *Automatic boiler stop when fuel burns out*
- *Controlled rotations of the fan – the PROFI version*
- *Left and right door version*
- *Refractory pieces are resistant up to the temperature of 1 350 °C, which ensure better parameters of burning*

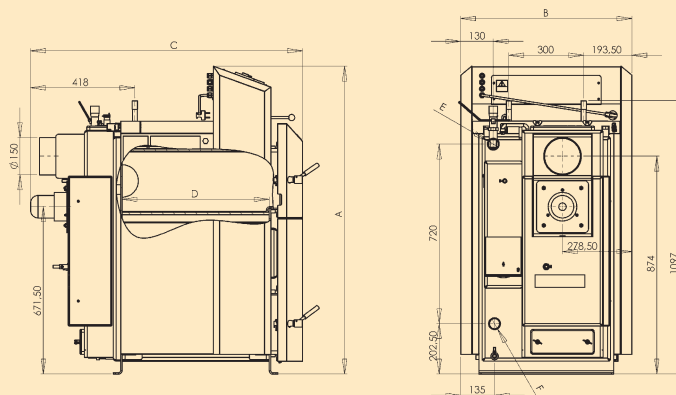
DESCRIPTION OF THE BOILER ATTACK DP



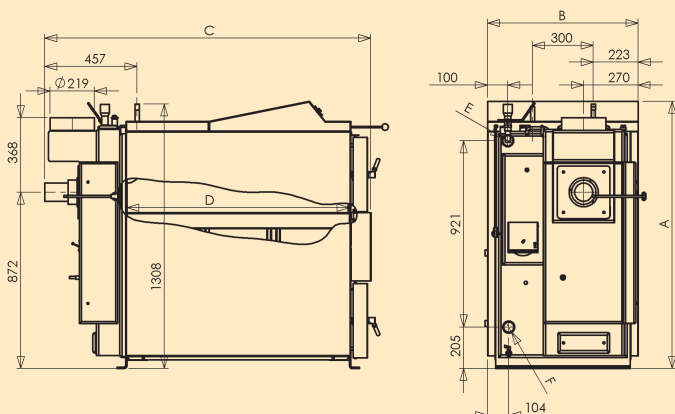
KEY:

- | | | | |
|-----------------------------------|---|-------------------------|-------------------------------|
| 1. Boiler body | 5. Control of the exhaust flap | 9. Flue gas fan | 14. Secondary air control |
| 2. Front upper cover | 6. Cleaning opening of the heat exchanger | 10. Outlet valve | 15. Flap of the air inlet |
| 3. Feeding door | 7. Aftercooling circuit | 11. Return connection | 16. Thermostatic regulator |
| 4. Door of the combustion chamber | 8. Flue gas exhaust | 12. Flow connection | 17. Control electronics |
| | | 13. Primary air control | 18. Combined thermo-manometer |

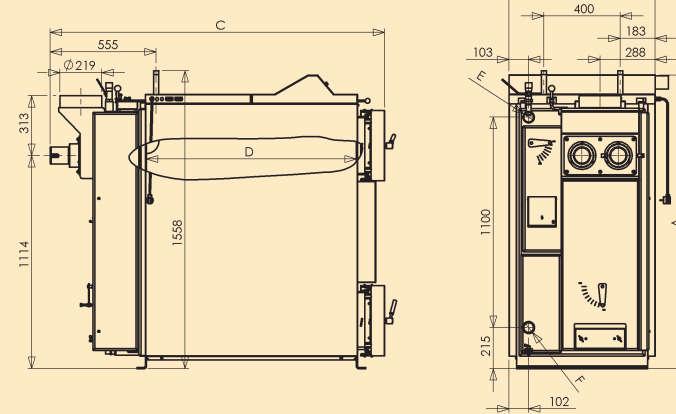
DIMENSIONS OF THE BOILER ATTACK DP 25-45



DIMENSIONS OF THE BOILER ATTACK DP 75



DIMENSIONS OF THE BOILER ATTACK DP 95





TECHNICAL PARAMETERS

Parameter	Unit	DP25	DP35	DP45	DP75	DP95
Nominal output (STANDARD version)	kW	25	35	45	75	95
Output range (PROFI version)	kW	10–25	14–35	18–45	30–75	38–95
Heat exchange area	m ²	1,52	1,74	1,95	3,6	5,6
Volume of the feeding chamber	dm ³	125	158	190	360	440
Dimension of the feeding door	mm	235×445	235×445	235×445	292×542	292×542
Prescribed chimney draught	Pa	23	23	23	23	25
Max. operating overpressure of water	kPa	250	250	250	250	250
Pressure loss of water (ΔT 10K)	kPa	2,1	4,0	6,1	8,8	8,8
Pressure loss of water (ΔT 20K)	kPa	0,6	0,8	1,1	1,6	1,6
Boiler weight	kg	370	405	430	650	800
Diameter of the flue gas outlet	mm	150	150	150	219	219
Boiler height „A“	mm	1 240	1 240	1 240	1 320	1 535
Boiler width „B“	mm	700	700	700	750	766
Boiler depth „C“	mm	1 090	1 190	1 295	1 600	1 750
Length of the feeding chamber „D“	mm	590	690	790	1 100	1 100
Diameter of the flow connection	"	G 3/4"	G 3/4"	G 2"	G 2"	G 2"
Diameter of the return connection	"	G 3/4"	G 3/4"	G 2"	G 2"	G 2"
Grade of protection	IP	21	21	21	21	21
Electrical input	W	38	38	48	54	108
Boiler efficiency	%	85,3	85,3	86	86,2	80,6
Boiler class by CO (under the norm EN 303-5)	–	3	3	3	3	3
Flue gas temperature by nominal output	°C	230	225	220	262	287
Flue gas flow by nominal output	kg/s	0,019	0,021	0,027	0,045	0,059
Max. noise level	dB	65	65	65	65	65
Fuel type	–	Wood logs with relative humidity of 12 % – max. 20 %, Ø 50–150 mm				
Average fuel consumption	kg/h	7,75	9,75	11,75	18,7	29,2
Approximate wood consumption per season	–	1 kW = 0,9 m ³				
Max. length of wood logs	mm	550	650	750	1 000	1 000
Time of operation by max. output	h	3	3	3	3	3
Volume of water in the boiler	l	68	78	87	164	250
Recommended volume of the accumulation tank	l	625	900	1 200	1 800	2 400
Connection voltage	V/Hz	~230/50				
Range to set the heating water temperature	°C	65–90				
Range to set the room temperature	°C	10–27				
Capacity of the contacts of the boiler regulator (PROFI version)	–	~230 V/2 A				

VERSIONS OF BOILER REGULATION ATTACK SLX, DPX A DP

Gasification boilers the ATTACK® are equipped with three types of regulation: **STANDARD**, **PROFI** and **LAMBDA Touch**.

ATTACK DPX, DP STANDARD

The easiest way of regulation for efficient applications. The management lies in the management of the boiler temperature using the boiler thermostat, and turning off the fan after burning out of fuel, by flue gas thermostat. This regulator is recommended everywhere, where objects are not regularly heated such as cottages and the like. A suitable solution for simpler systems in terms of regulation in connection with accumulation tanks. A good option is with use of upgrade regulator ATTACK Regumax, where most of the control takes over the controller and from the boiler is only required the simplest version of control.

THE MAIN ADVANTAGES OF CONTROL:

- **Simplicity**
- **Suitable for simple applications**
- **System for extension MaR ATTACK REGUMAX**

ATTACK DPX, DP – STANDARD



DESCRIPTION:

1. **Reset** – of the boiler against overheating (after reaching a higher temperature then 110 °C the boiler is cutoff from the electric network)
2. **Fuse** – protection of the boiler against the electric short circuit
3. **Main power switch** – turn on the boiler and if necessary allows you to disable the whole boiler
4. **Flue gas thermostat** – the decrease of the gas temperature under the value set is turned off the fan
5. **Boilers Thermostat** – serves for setting the desired water temperature in the boiler (when exceeding the set temperature is turned off the fan the boiler works at min power and after falling below the set temperature the fan will be switched on again and the boiler works at maximum output).
6. **Termomanometer** – shows the output temperature and the current pressure of the heating water in the boiler

ATTACK SLX, DPX, DP PROFI

The ATTACK PROFI, generation of "PID" is the more advanced regulator suitable for everyday heating, in particular of family houses, different facilities, or other regularly heated objects. It has PID control of rotation speed of the fan, which can precisely control the temperature of the flue gas and thereby to achieve excellent efficiency. Besides the boiler itself it can also control two pumps. One is the pump of the heating circuit and second is the pump for charging the accumulation tank or the domestic hot water. It is particularly suitable for use with a storage tank, because it has in itself the integrated the logic of correct charging of the accumulation tank and its protection against the discharge of energy through the boiler. Easy operation is ensured by clear display with lots of instant information, such as boiler temperature, the temperature of the flue gas temperature in the accumulation tank. Of course there is high reliability, long service life and automatic shut down after burning out of fuel.

THE MAIN ADVANTAGES OF CONTROL:

- **Improved electronics with be fluent PID regulation of fan rotations on the basis of the temperature of flue gas**
- **Fuzzy logic – adjust the working cycle of the combustion of the wood in ideal conditions.**
- **High efficiency of the boiler and stable burning**
- **Management options including a pump for charging the accumulation tank, the pump charging domestic hot water**
- **The Possibility of management of circulating pump by thermostat.**
- **Clear screen showing the operation of the individual elements**

ATTACK SLX, DPX, DP – PROFI



DESCRIPTION:

1. **0/1** – main switch of electronics
2. **OK** – button to confirm the parameters in menu
3. **STOP** – button to turn off the boiler and moving in the menu
4. **START** – button to start the boiler and moving in the menu of the fan
5. **Fan** – an icon showing the operation of the fan
6. **Water tap** – the icon showing the operation of the pump charging the hot domestic service water, or charging of the accumulation tank
7. **Pump** – an icon showing the operation of the circulating pump of heating circuits
8. **Key** – an icon showing the entry into the menu settings
9. **Warning triangle** – icon display the notification on the hazardous condition
10. **Thermostat**
11. **Digits** – the current boiler temperature

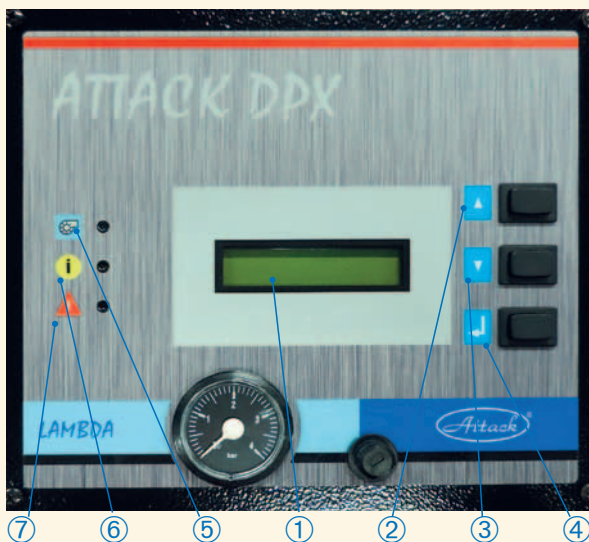
ATTACK DPX LAMBDA

It is the most advanced controller, which thanks to its precise control of the combustion process allows boiler to achieve high efficiency, low emissions and low consumption of wood. The combustion process is controlled by regulating on the basis of the measurements by Lambda probe, just as in cars which then controls the actuator of the primary and secondary air which optimizes the combustion mixture. Compared to the regulator PROFI lambda amounts to approximately a 1.5% higher efficiency, the advantage is, however mainly faster initiation of burning and accurate control of the combustion process. Also the ability to maintain coals for an additional initiation of burning after a period of about 12 hours, when must the boiler can significantly more efficiently reduce their performance as it is with PROFI. More sophisticated combustion process significantly lengthens the life of the boiler.

MAIN BENEFITS OF CONTROL:

- Perfect control of the combustion process by the lambda probe
- Fluent performance regulation and gas temperature
- Rapid initiation of burning, the long time of keeping hot coal for the next initiation of the burning
- Protection against the draining of the accumulation tank

ATTACK DPX – LAMBDA



DESCRIPTION:

- | | |
|-----------------------|-----------------------------------|
| 1. Display | 5. Operating state of the boiler |
| 2. Control button „+“ | 6. Failure of the boiler |
| 3. Control button „-“ | 7. Emergency status of the boiler |
| 4. Enter | |



ATTACK SLX LAMBDA Touch

Has all the benefits of a controller ATTACK the LAMBDA more-over it is additionally equipped with a XY" inch screen clearly showing the necessary information. This regulator has a good connectivity to the internet thereby it is possible to manage and check the status of boiler boiler remotely, for example from a PC or Smartphone. Big advantage is also the possibility to update the version of the software thereby it is possible years after purchasing of the boiler to update the software of the boiler according to the latest trends from the field of combustion of wood. ATTACK Lambda Touch can in addition manage also automatic cleaning of the pipes of the heat exchanger by powerful engine which significantly simplifies its operation. The regulator in addition to the boiler allows charging the accumulation tank by the pump and after the purchase of additional modules may also control 2 mixing circuits, domestic hot water tank, solar panels or with on automatic boiler after use of the heat from the storage tank.

MAIN BENEFITS OF CONTROL:

- Electronics with transparent touch screen
- Perfect control of the combustion process by the lambda probe
- Fluent performance regulation and gas temperature
- Rapid initiation of burning, the long time of keeping hot coal for the next initiation of the burning
- Protection against the draining of the accumulation tank
- Automatic cleaning of the pipes of the heat exchanger using a robust engine
- Possibility of controlling via internet and Smartphone
- Possibility of extension with add-on modules and the control of HOT water, MIX1, MIX2, solar, and etc.

ATTACK SLX – LAMBDA TOUCH



DESCRIPTION:

- | | |
|----------------------------------|------------------------------|
| 1. Start / switch off the boiler | 6. Information menu |
| 2. Record of failures | 7. Temperature of the boiler |
| 3. Cleaning of exchanger | 8. Temperature of flue gas |
| 4. Service menu | 9. Power of fan |
| 5. Settings of the boiler | 10.USB Connector |

ATTACK DPX COMBI PELLET

COMBINED BOILER FOR WOOD AND PELLETS

The warm water boiler **ATTACK® DPX COMBI Pellet** is a modern heat source with new construction of heat exchanger. The prescribed fuel is wood and pellets – if the automatic stainless steel burner is installed. This innovative solution brings higher comfort thanks to the automatic pellet burner, which is simply installed in the boiler, and the advantage of the cheapest heat energy gained from wood in the wood gasifying boiler.

By installation of the burner into the steel body of the boiler **ATTACK® DPX** you get the combined boiler for solid fuel and pellets with adjustable output, automatic grate cleaning, automatic start and termination of the burning process.

The boiler is controlled by the **PROFI „PID“** regulator and burner electronics. It is possible to choose the burner of 8–30 kW or 15–50 kW output.

BOILER ADVANTAGES:

- High efficient tubular exchanger „flue gas-water“
- High efficiency of burning: 90 % – thanks to the tubular exchanger, equipped with special movable turbulators for cleaning of heat exchanger
- Extraordinary voluminous feeding chamber up to 230 l, that enables longer burning by one wood load
- Option to burn pellets
- Boiler enabling operation with wood and fully automatic operation with pellets
- User comfort, reliability of operation, easy use and maintenance
- Manufactured from the special boiler steel of 6 mm to ensure long life-time
- Stainless steel burner of the highest quality with automatic cleaning
- Option of easy installation of the burner into the boiler by a movable construction and thereby – the fuel use change within 1 minute
- Decreased operating costs per season thanks to the combination of fuels
- Option of the gradual output regulation according to the burner type
- Option to re-build the already installed boiler **DPX** to the **DPX COMBI Pellet** by the set for re-building
- Fully automatic burner operation
- Compact design, easy use, information given on the LCD display
- Automatic grate cleaning, adjustable in dependence on the quality of pellets
- Automatic start and termination of the burning process by pellet combustion
- Precise measuring of flame intensity by the photocell – by the operation with pellets
- Option to set the burner output within the range of 8–30 kW or 15–50 kW, according to the type of burner
- Option to connect the external sensor into the accumulation tank
- Regulation of the burner operation by the room thermostat or thermal probe
- Option to burn wood pellets of 6–8 mm diameter and 35 mm length
- Option to adjust the combustion according to the fuel used
- Quality stainless steel used for combustion chamber and burner grate
- Option to connect fuel feeders of different length
- Safety elements against backward burning, 4× protection against overheating – emergency, boiler, flue gas thermostat and aftercooling circuit
- Requirement for low operating under-pressure in the combustion chamber



- Multi-lingual menu, option to adjust the wide scale of parameters
- Indication of operating modes
- Error diagnostic

BOILER MODIFICATIONS

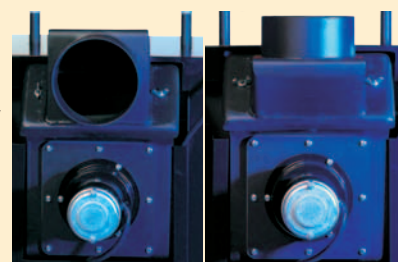
- **ATTACK DPX 25–50 COMBI Pellet**

COMBINED BOILER ATTACK DPX 25–50 COMBI PELLET CONTAINS:

- Wood gasifying boiler **ATTACK® DPX**,
- Burner **ATTACK PELLET BURNER Automatic 8–30 kW** or burner **ATTACK PELLET BURNER Automatic 15–50 kW**,
- Door **DPX** for burner,
- Movable construction (holder, arms, door)

INSTALLATION OF FLUE CONNECTION

Flue connection can be installed horizontally or vertically on the boilers **SLX** and **DPX**. This is possible by turning the flange by 180°.



ACCESSORIES FOR THE BOILERS

ATTACK® PELLET BURNER Automatic are fully automatic stainless steel burners for wood pellets with option to set the output within the **range of 8–30 kW** and **15–50 kW**, automatic grate cleaning, automatic ignition, controlled start and regulated burning process.

BURNER ADVANTAGES

- Fully automatic burner operation
- Compact design, easy control, information on LCD display
- Automatic grate cleaning, adjustable in dependence on quality of the pellets used
- Automatic start and termination of the burning process
- Precise measuring of flame intensity by photocell
- Option to set output within the range of 8–30 kW or 15–50 kW
- Option to connect external sensor into accumulation tank
- Burner operation controlled by room thermostat or thermal probe
- High combustion efficiency and low operating emissions
- Possibility to burn wood pellets with diameter of 6–8 mm and length of 35 mm
- Option to regulate combustion according to the fuel used
- Quality stainless steel of combustion chamber and burner grate
- Option to connect fuel feeders of different lengths
- Safety elements against backward burning, 4× protection against overheating – emergency, boiler, flue gas thermostat and aftercooling circuit
- Requirement for low operating under-pressure in combustion chamber
- Multilingual menu, option to set wide scale of parameters
- Displaying operating modes
- Error diagnostics

DESCRIPTION

Stainless steel burner **ATTACK®** works on principle of fuel -pellet falling from fuel feeder through supply hose and pipe on the grate to be combusted.

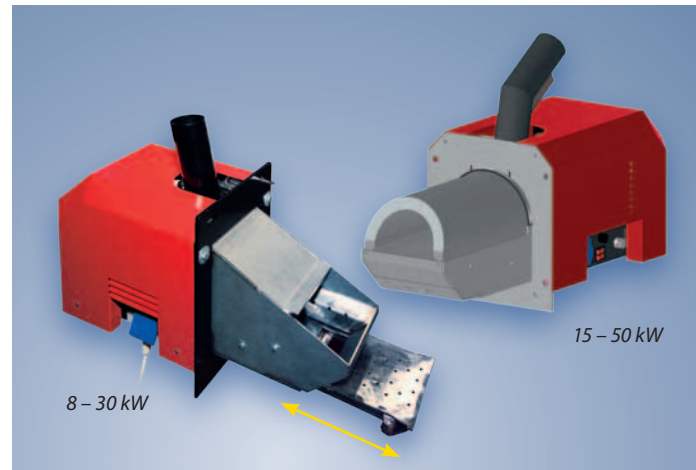
Burner works under fully automatic mode, from evaluation of heat supply need, fuel supply, electrical ignition, burning-up, burning, shutting-down, burning-out, cleaning and switching to the emergency regime.

ATTACK PELLET BURNER Automatic 8–30 kW – output range of **14–30 kW** is set from production. There are three levels of output: 1. (14 kW), 2. (22 kW) and 3. (30 kW). Output range of three levels: 8–12 kW, 14–30 kW can be set in the advanced menu.

ATTACK PELLET BURNER Automatic 15–50 kW – output range of **15–50 kW**. There are three levels of output: 1. (15 kW), 2. (32 kW) and 3. (50 kW). Output range of both burners can be set in steps of 2 kW.

The burner is cleaned automatically – after every burn out or in particular time intervals, set by the user. The grate is cleaned by automatic movement towards the scraper. Dirts like ash and eschars fall out of the opening of the grate.

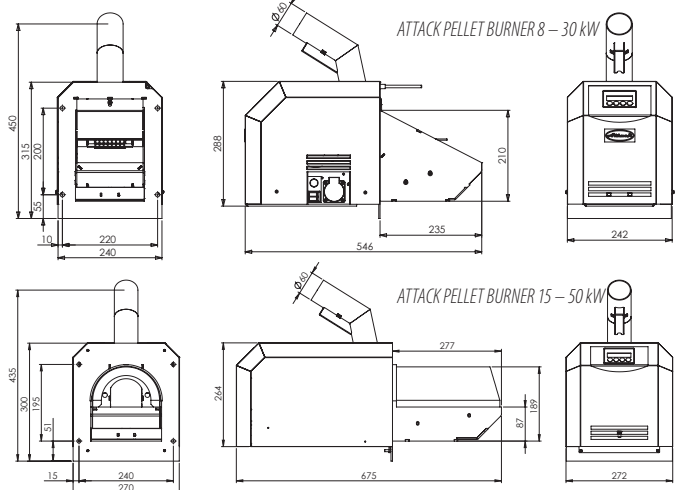
Burner body, grate, tinplate of lighter and scraper are made from high quality refractory stainless steel.



FUEL

The burner is intended and certified for combustion of wood pellets with diameter of **6–8 mm** and length of **35 mm**. After feeder exchange it burns different fruit pits and milled olive pits up to the max. size of peach pits. Eventual conversions have to be consulted with producer.

DIMENSIONS



TECHNICAL PARAMETERS

Parameter	PELH30A	PELH50A
Prescribed fuel	wood pellets \varnothing 6–8 mm, l = 35 mm max.	
Mode	8–12 kW, 14–30 kW	15–50 kW
Output scale	8–30 kW, scaled by 2 kW	15–50 kW, scaled by 2 kW
Connection voltage	~230 V/50 Hz	
Electrical fuse	10 A	
Weight	22 kg	33 kg

TABLE OF ACCESSORY ITEMS

Name
ATTACK PELLET BURNER Automatic 8–30 kW
ATTACK PELLET BURNER Automatic 15–50 kW
Door DPX for burners PELH30A and PELH50A
Pantograph set for PELH30A
Pantograph set for PELH50A
Pellet feeder 2,5 m (with eventual preparation of own length)
Pellet tank 500 l



Attack[®]



SLOVAK REPUBLIC

ATTACK, s.r.o.
Dielenská Kružná 5020
038 61 Vrútky
Slovak republic

Tel: +421 43 4003 115
Fax: +421 43 3241 129
E-mail: export@attack.sk
Web: www.attack.sk



The manufacturer ATTACK, s.r.o. reserves the right of technical changes of products without previous notice. Pictures and technical data of the products are for information only. Current technical documentation are available on the above contacts. Change of prices and offers are reserved.

www.attack.sk