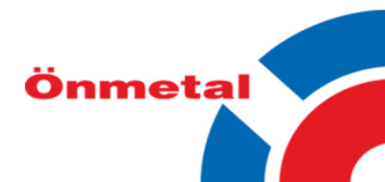
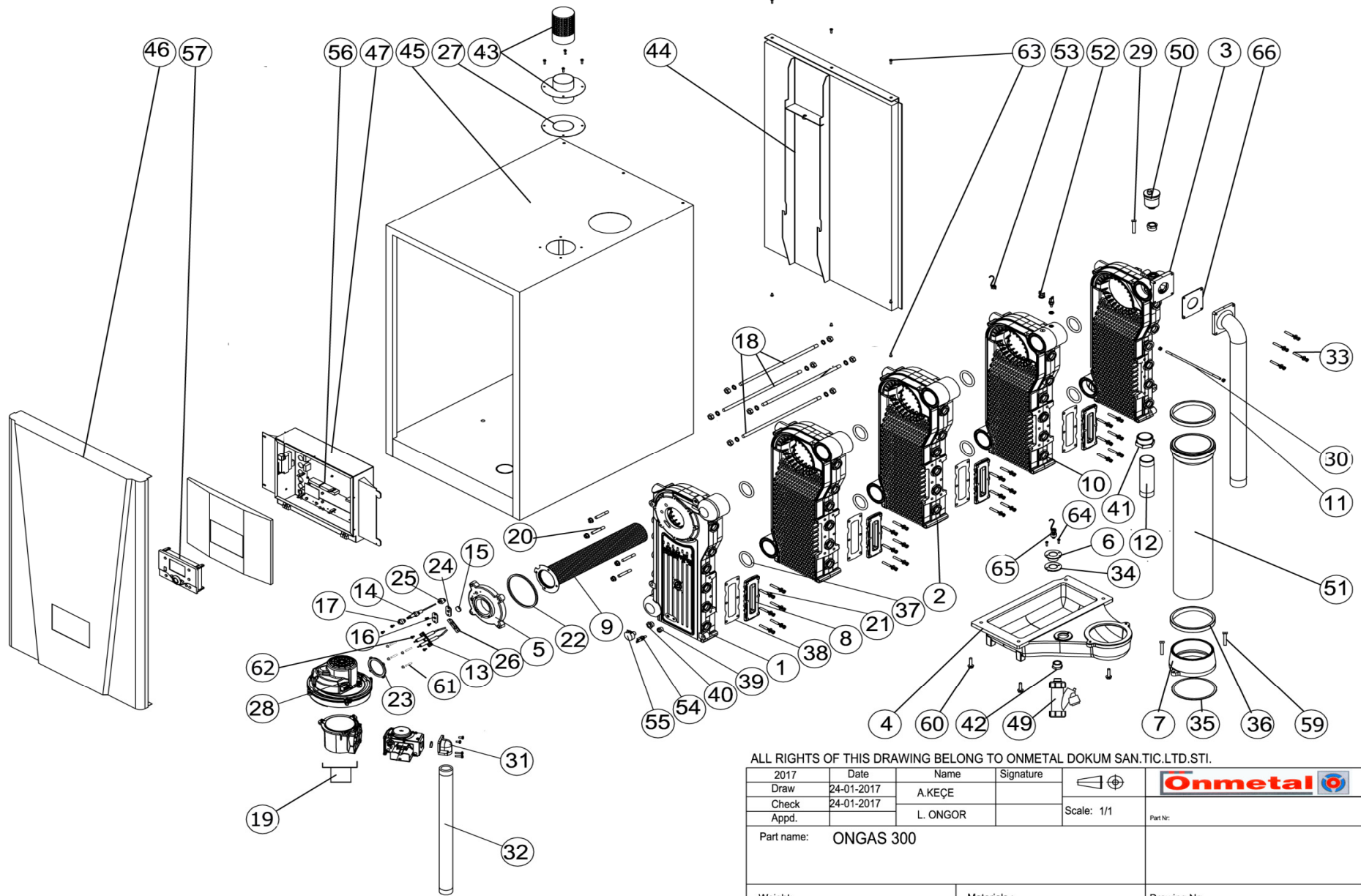



ONGAS 300/W SERIES CONDENSING BOILERS

SPARE PARTS LIST





ALL RIGHTS OF THIS DRAWING BELONG TO ONMETAL DOKUM SAN.TIC.LTD.STI.

2017	Date	Name	Signature	
Draw	24-01-2017	A.KEÇE		
Check	24-01-2017	L. ONGOR		
Appd.				Scale: 1/1
Part name: ONGAS 300				Part Nr:
Weight:		Materials :		Drawing Nr:

SPARE PARTS							
NO	ITEM	DRAWING NUMBER	PART NUBER				
			ONGAS 303/W	ONGAS 304/W	ONGAS 304/W PL.	ONGAS 305/W	ONGAS 306/W
1	FRONT SECTION	OG-300-001	OG300-SP.001001				
2	MIDDLE SECTION	OG-300-002	OG300-SP.002001				
3	BACK SECTION	OG-300-003	OG300-SP.003001				
4	CONDENSE COLLECTOR	OG-300-004	OG300-SP.004001	OG300-SP.004002	OG300-SP.004003	OG300-SP.004004	OG300-SP.004005
5	BURNER FLANGE	OG-300-005	OG300-SP.005001				
6	SYPHON SWITCH CAP	OG-300-006	OG300-SP.006001				
7	CHIMNEY ADAPTOR	OG-300-007	OG300-SP.007001	OG600-SP.007002	OG600-SP.007003	OG600-SP.007004	OG600-SP.007005
8	CLEANING CAP	OG-300-008	OG300-SP.008001				
9	PREMIX BURNER	OG-300-009	OG300-SP.009001	OG600-SP.009002	OG600-SP.009003	OG600-SP.009004	OG600-SP.009005
10	STAINLESS STEEL STOPPER	OG-300-010	OG300-SP.010001				
11	WATER OUTLET PIPE	OG-300-011	OG300-SP.011001	OG300-SP.011002		OG300-SP.011003	
12	WATER INLET PIPE	OG-300-012	OG300-SP.012001	OG300-SP.012002		OG300-SP.012003	
13	IGNITION ELECTRODE	OG-300-013	OG300-SP.013001				
14	IONISATION (FLAME SENSING) ELECTRODE	OG-300-014	OG300-SP.014001				
15	FLAME OBSERVATION GLASS	OG-300-015	OG300-SP.015001				
16	FLAME OBSERVATION GLASS CONNECTION SHEET	OG-300-016	OG300-SP.016001				
17	IONISATION ELECTRODE CONNECTION SHEET	OG-300-017	OG300-SP.017001				
18	HEAT EXCHANGER BODY CONNECTION ROD	OG-300-018	OG300-SP.018001	OG300-SP.018002	OG300-SP.018003	OG300-SP.018004	OG300-SP.018005
19	MIXER AIR INTAKE ADAPTOR	OG-300-019	OG300-SP.019001		OG300-SP.019002		OG300-SP.019003
20	BURNER FLANHE CONNECTION ROD	OG-300-020	OG300-SP.020001				
21	CLEANING CAP CONNECTION ROD	OG-300-021	OG300-SP.021001				
22	GASKET FOR BURNER FLANGE	OG-300-022	OG300-SP.022001				
23	GASKET FOR FAN	OG-300-023	OG300-SP.023001				
24	GASKET FOR FLAME OBSERVATION GLASS	OG-300-024	OG300-SP.024001				
25	GASKET FOR IONISATION ELECTRODE	OG-300-025	OG300-SP.025001				
26	GASKET FOR IGNITION ELECTRODE	OG-300-026	OG300-SP.026001				
27	GASKET FOR AIR INTAKE CAGE	OG-300-027	OG300-SP.027001	OG300-SP.027002	OG300-SP.027003	OG300-SP.027004	OG300-SP.027005
28	COMBUSTION KIT (FAN-MIXER-GAS VALVE)	OG-300-028	OG300-SP.028001		OG300-SP.028002	OG300-SP.028003	OG300-SP.028004
29	HEAT EXCHANGER BODY HANGING SCREW	OG-300-029	OG300-SP.029001				
30	HEAT EXCHANGER BODR HANGING ROD	OG-300-030	OG300-SP.030001				
31	FLANGE ELBOW FOR GAS VALVE	OG-300-031	OG300-SP.031001				
32	GAS INTAKE PIPE	OG-300-032	OG300-SP.032001				
33	WATER OUTLET PIPE CONNECTION ROD	OG-300-033	OG300-SP.033001				
34	GASKET FOR SYPHON SWITCH CAP	OG-300-034	OG300-SP.034001				
35	O-RING FOR CHIMNEY ADAPTOR	OG-300-035	OG300-SP.035001	OG300-SP.035002	OG300-SP.035003	OG300-SP.035004	OG300-SP.035005

SPARE PARTS								
NO	ITEM	DRAWING NUMBER	PART NUMBER					
			ONGAS 303/W	ONGAS 304/W	ONGAS 304/W PL.	ONGAS 305/W	ONGAS 306/W	ONGAS 307/W
36	GASKET FOR CHIMNEY	OG-300-036	OG300-SP.036001	OG300-SP.036002		OG300-SP.036003	OG300-SP.036004	OG300-SP.036005
37	O-RING BETWEEN SECTIONS	OG-300-037	OG300-SP.037001					
38	GASKET FOR CLEANING CAP	OG-300-038	OG300-SP.038001					
39	REDUCTION FOR NTC SENSOR CONNECTION	OG-300-039	OG300-SP.039001					
40	REDUCTION FOR WATER PRESSURE SENSOR CONNECTION	OG-300-040	OG300-SP.040001					
41	REDUCTION FOR WATER INLET PIPE CONNECTION	OG-300-041	OG300-SP.041001	OG300-SP.041002			OG300-SP.041003	
42	REDUCTON FOR SYPHON CONNECTION	OG-300-042	OG300-SP.042001					
43	AIR INTAKE CAGE	OG-300-043	OG300-SP.043001	OG300-SP.043002		OG300-SP.043003	OG300-SP.043004	OG300-SP.043005
44	REAR SHEET PANEL	OG-300-044	OG300-SP.044001			OG300-SP.044002		OG300-SP.044003
45	BODY SHEET PANEL	OG-300-045	OG300-SP.045001	OG300-SP.045002		OG300-SP.045003	OG300-SP.045004	OG300-SP.045005
46	FRONT SHEET PANEL	OG-300-046	OG300-SP.046001			OG300-SP.046002		OG300-SP.046003
47	CONTROL BOX	OG-300-047	OG300-SP.047001					
48	WIRING CABLES	OG-300-048	OG300-SP.048001	OG300-SP.048002	OG300-SP.048003	OG300-SP.048004	OG300-SP.048005	OG300-SP.048006
49	SYPHON	OG-300-049	OG300-SP.049001					
50	AUTOMATIC AIR VENT	OG-300-050	OG300-SP.050001					
51	CHIMNEY	OG-300-051	OG300-SP.051001	OG300-SP.051002		OG300-SP.051003	OG300-SP.051004	OG300-SP.051005
52	LIMIT THERMOSTAT	OG-300-052	OG300-SP.052001					
53	LIMIT THERMOSTAT CONNECTION CABLE	OG-300-053	OG300-SP.053001					
54	NTC TEMPERATURE SENSOR	OG-300-054	OG300-SP.054001					
55	WATER PRESSURE SENSOR	OG-300-055	OG300-SP.055001					
56	CONTROLLER MAIN BOARD	OG-300-056	OG300-SP.056001					
57	DISPLAY	OG-300-057	OG300-SP.057001					
58	COMMUNICATION CABLE	OG-300-058	OG300-SP.058001					
59	CHIMNEY ADAPTOR CONNECTION ROD	OG-300-059	OG300-SP.059001					
60	CONDENSE COLLECTOR CONNECTION SCREW	OG-300-060	OG300-SP.060001					
61	FAN CONNECTION SCREW	OG-300-061	OG300-SP.061001					OG600-SP.061002
62	ELECTODE CONNECTION SCREW	OG-300-062	OG300-SP.062001					
63	SHEET PANELS CONNECTION SCREW	OG-300-063	OG300-SP.063001					
64	SYPHON SWITCH CONNECTION SCREW	OG-300-064	OG300-SP.064001					
65	SYPHON SWITCH	OG-300-065	OG300-SP.065001					
66	GASKET FOR WATER OUTLET PIPE	OG-300-066	OG300-SP.066001					
67								
68								
69								
70								

SPARE PARTS								
NO	ITEM	DRAWING NUMBER	PART NUBER					
			ONGAS 303/W	ONGAS 304/W	ONGAS 304/W PL.	ONGAS 305/W	ONGAS 306/W	ONGAS 307/W
1	FRONT SECTION	OG-300-001	73.20					
2	MIDDLE SECTION	OG-300-002	90.00					
3	BACK SECTION	OG-300-003	77.20					
4	CONDENSE COLLECTOR	OG-300-004	14.40	20.80	32.00	35.20	49.60	
5	BURNER FLANGE	OG-300-005	6.40					
6	SYPHON SWITCH CAP	OG-300-006	0.20					
7	CHIMNEY ADAPTOR	OG-300-007	4.00	4.80	5.60	6.80	8.00	
8	CLEANING CAP	OG-300-008	1.60					
9	PREMIX BURNER	OG-300-009	87.75	106.75	111.00	171.25	194.25	
10	STAINLESS STEEL STOPPER	OG-300-010	1.00					
11	WATER OUTLET PIPE	OG-300-011	3.00	5.00			7.00	
12	WATER INLET PIPE	OG-300-012	15.00	18.00			23.00	
13	IGNITION ELECTRODE	OG-300-013	5.20					
14	IONISATION (FLAME SENSING) ELECTRODE	OG-300-014	2.15					
15	FLAME OBSERVATION GLASS	OG-300-015	1.10					
16	FLAME OBSERVATION GLASS CONNECTION SHEET	OG-300-016	0.30					
17	IONISATION ELECTRODE CONNECTION SHEET	OG-300-017	0.30					
18	HEAT EXCHANGER BODY CONNECTION ROD	OG-300-018	0.30	0.36	0.40	0.50	0.65	
19	MIXER AIR INTAKE ADAPTOR	OG-300-019	1.20		1.40		1.60	
20	BURNER FLANHE CONNECTION ROD	OG-300-020	0.20					
21	CLEANING CAP CONNECTION ROD	OG-300-021	0.20					
22	GASKET FOR BURNER FLANGE	OG-300-022	1.50					
23	GASKET FOR FAN	OG-300-023	0.50					
24	GASKET FOR FLAME OBSERVATION GLASS	OG-300-024	0.70					
25	GASKET FOR IONISATION ELECTRODE	OG-300-025	0.75					
26	GASKET FOR IGNITION ELECTRODE	OG-300-026	0.75					
27	GASKET FOR AIR INTAKE CAGE	OG-300-027	0.40	0.50	0.70	0.90	1.20	
28	COMBUSTION KIT (FAN-MIXER-GAS VALVE)	OG-300-028	286.40		293.80		377.50	1014.00
29	HEAT EXCHANGER BODY HANGING SCREW	OG-300-029	0.10					
30	HEAT EXCHANGER BODR HANGING ROD	OG-300-030	0.20					
31	FLANGE ELBOW FOR GAS VALVE	OG-300-031	16.00					
32	GAS INTAKE PIPE	OG-300-032	3.80					
33	WATER OUTLET PIPE CONNECTION ROD	OG-300-033	0.80					
34	GASKET FOR SYPHON SWITCH CAP	OG-300-034	0.60					
35	O-RING FOR CHIMNEY ADAPTOR	OG-300-035	0.20	0.30	0.45	0.60	0.80	

