

“EC” DECLARATION OF CONFORMITY MODEL CIAO	0
“EC” DECLARATION OF CONFORMITY MODEL 2000	0
1 - INTRODUCTION	0
1.1 GENERAL GUIDELINES	0
1.2 SAFETY GUIDELINES	0
1.2.1 RECOMMENDATIONS.....	0
1.2.2 GENERAL WARNINGS.....	0
1.3 TRANSPORTATION AND STORAGE	0
2 – TECHNICAL CHARACTERISTICS*	0
2.1 MODEL CIAO	0
2.2 MODEL 2000	0
3 – GENERAL DESCRIPTION.....	0
3.1 OPERATING TECHNOLOGY	0
3.2 THE PELLETT	0
3.3 THE FEEDBOX	0
4 - INSTALLATION	0
4.1 APPLIANCE LOCATION	0
4.2 GLUING THE SLIDING COVER MODEL 2000	0
4.3 MOUNTING THE CASING OF MODEL 2000	0
5 – DESCRIPTIONS OF CONTROLS.....	0
5.1 DESCRIPTION OF THE CONTROL PANEL AND BACK PANEL	0
5.1.1 DESCRIPTION OF THE CONTROL PANEL.....	0
5.1.2 BACK PANEL.....	0
5.2 DAY AND TIME SETTING	0
5.3 ON/OFF PROGRAMMING	0
5.4 OPERATING LEVEL SETTING	0
6 – USE OF THE APPLIANCE.....	0
6.1 SWITCHING ON THE HEATER	0
6.2 COMBUSTION AND VENTILATION ADJUSTMENTS	0
6.3 INFRARED REMOTE CONTROL	0
7 – ROOM TEMPERATURE THERMOSTAT / CHRONOTHERMOSTAT (not supplied)	0
7.1 OPERATING WITH THE ROOM TEMPERATURE THERMOSTAT (not supplied)	0
7.2 OPERATING WITH THE ADDITIONAL CHRONOTHERMOSTAT (not supplied)	0
8 - CLEANING AND MAINTENANCE	0
8.1 FOREWORD	0
8.2 CLEANING AND MAINTAINING THE APPLIANCE	0
8.3 REPLACING THE BATTERY OF THE REMOTE CONTROL	0
8.4 REPLACING THE BATTERY OF THE CONTROL PANEL FOR MODEL CIAO	0
8.5 REPLACING THE BATTERY OF THE CONTROL PANEL FOR MODEL 2000	0
9 – SMOKE DISCHARGE TUBE AND VENTILATION OF THE ROOMS.....	0

9.1 FOREWORD	0
9.2 ROOM VENTILATION	0
9.2.2 VENTILATION OF THE ADJACENT ROOMS.....	0
9.2.1 SINGLE OR MULTIPLE VENTILATION DUCTING	0
9.3 SMOKE OUTLET	0
9.3.1 CHIMNEY TYPES.....	0
9.3.2 FLUE OUTLET / FLUE SYSTEM COMPONENTS	0
9.3.3 CONTROLS PRIOR TO INSTALLING THE APPLIANCE	0
10 – ALARMS	0
11 - ELECTRICAL WIRING	0
12 - INFORMATION FOR THE SKILLED TECHNICIAN.....	0
12.1 MAIN COMPONENTS AND THEIR POSITION	0
12.2 GUIDELINES FOR CORRECT INSTALLATION	0
12.3 TROUBLESHOOTING CAUSE-SOLUTION.....	0
13 – SPARE PARTS - MODEL CIAO	0
13.1 MAIN COMPONENTS AND THEIR POSITION 1/5	0
13.2 MAIN COMPONENTS AND THEIR POSITION 2/5	0
13.3 MAIN COMPONENTS AND THEIR POSITION 3/5	0
13.4 MAIN COMPONENTS AND THEIR POSITION 4/5	0
13.5 MAIN COMPONENTS AND THEIR POSITION 5/5	0
14 – REPAINTING OF THE CASING MODEL CIAO	0
14.1 FOREWORD.....	0
14.2 DISMANTLING THE SIDE PANELS AND FRONT GLASS.....	0
14.3 DISMANTLING THE STOVE BODY AND CASING	0
15 – SPARE PARTS - MODEL 2000	0
15.1 MAIN COMPONENTS AND THEIR POSITION 1/3	0
15.2 MAIN COMPONENTS AND THEIR POSITION 2/3	0
15.3 MAIN COMPONENTS AND THEIR POSITION 3/3.....	0

DICHIARAZIONE DI CONFORMITA'
DECLARATION OF CONFORMITY

La **THERMOROSSI S.P.A., VIA GRUMOLO N° 4 36011 ARSIERO (VI)**, sotto la sua esclusiva responsabilità DICHIARA che l'apparecchiatura descritta in appresso:

DECLARES that the product:

Descrizione <i>Description</i>	Stufa a pellets <i>Pellet stove</i>
Marchio <i>Trademark</i>	THERMOROSSI S.P.A.
Modello <i>Model</i>	CIAO

è conforme alle disposizioni legislative che traspongono le seguenti Direttive:

- **2004/108/CE (Direttiva EMC)**
- **2006/95/CE (Direttiva Bassa Tensione)**
- **89/106/CEE (Direttiva Prodotti da Costruzione) e successivi emendamenti**

is in accordance with the following Directives:

- **2004/108/EC Directive (EMC Directive)**
- **2006/95/EC Directive (Low Voltage Directive)**
- **89/106/EEC Directive (Construction Products Directive) and subsequent amendments**

e che sono state applicate tutte le norme e/o specifiche tecniche di seguito indicate
and that all the following standards have been applied

EN 55014-1	EN 60335-1	EN 14785
EN 55014-2	EN 60335-2-102	
EN 61000-3-2	EN 62233	
EN 61000-3-3		

Laboratorio notificato per la Direttiva 89/106/CEE
Notified laboratory for the 89/106/EEC Directive

TÜV Rheinland Energie und Umwelt GmbH
Am Grauen Stein D-51105 Köln - Germany

Ultime due cifre dell'anno in cui è affissa la marcatura CE 11
Last two figures of the year of the CE marking

Luogo **Arsiero**
Place

Data **05/04/2012**
Date

Firma
Sign
(nome e funzione)
(name and title)

THERMOROSSI S.p.A.
Un Amministratore



DICHIARAZIONE DI CONFORMITA'
DECLARATION OF CONFORMITY

La **THERMOROSSI S.P.A., VIA GRUMOLO N° 4 36011 ARSIERO (VI)**, sotto la sua esclusiva responsabilità DICHIARA che l'apparecchiatura descritta in appresso:
DECLARES that the product:

Descrizione <i>Description</i>	Stufa a pellets <i>Pellet stove</i>
Marchio <i>Trademark</i>	THERMOROSSI S.P.A.
Modello <i>Model</i>	2000

è conforme alle disposizioni legislative che traspongono le seguenti Direttive:

- **2004/108/CE (Direttiva EMC)**
- **2006/95/CE (Direttiva Bassa Tensione)**
- **89/106/CEE (Direttiva Prodotti da Costruzione) e successivi emendamenti**

is in accordance with the following Directives:

- **2004/108/EC Directive (EMC Directive)**
- **2006/95/EC Directive (Low Voltage Directive)**
- **89/106/EEC Directive (Construction Products Directive) and subsequent amendments**

e che sono state applicate tutte le norme e/o specifiche tecniche di seguito indicate
and that all the following standards have been applied

EN 55014-1	EN 60335-1	EN 14785
EN 55014-2	EN 60335-2-102	
EN 61000-3-2	EN 62233	
EN 61000-3-3		

Laboratorio notificato per la Direttiva 89/106/CEE
Notified laboratory for the 89/106/EEC Directive

TÜV Rheinland Energie und Umwelt GmbH
Am Grauen Stein D-51105 Köln - Germany

Ultime due cifre dell'anno in cui è affissa la marcatura CE 11
Last two figures of the year of the CE marking

Luogo **Arsiero**
Place

Data **19/03/2012**
Date

Firma
Sign
(nome e funzione)
(name and title)


THERMOROSSI S.p.A.
Un Amministratore
ROSSI BRUNO

1 - INTRODUCTION

1.1 GENERAL GUIDELINES

This installation, use and maintenance guide is an integral and essential part of the product and must be kept by the user. Before commencing with the installation, use and maintenance of the product, carefully read all the instructions contained in this booklet. All local, national and European regulations regarding the installation and use of the appliance must be met. The Manufacturer recommends carrying out all the maintenance operations described in this manual.

This appliance must only be used as intended by the manufacturer. Any other use is considered incorrect and therefore hazardous; consequently, the user shall be totally liable for the product if used improperly. Installation, maintenance and repairs must be carried out by professionally qualified personnel, professionally certified according to Decree no. 37 of 22 January 2008 and in compliance with current regulations and in accordance with the instructions provided by the manufacturer of the appliance. In case of repairs only original spare parts supplied by the manufacturer must be used. Incorrect installation or poor maintenance could injure or damage people, animals or things; in this case the manufacturer shall be relieved of all responsibility.

Before beginning any cleaning or maintenance operation switch off the appliance, turn the switch installed at the back of the stove to the OFF position and disconnect the plug from the electrical power socket. The product must be installed in locations suitable for fire-fighting and furnished with all the services (power and outlets) which the appliance requires for a correct and safe operation. Any repairs or actions carried out on any systems, components or internal parts of the appliance, or on any of the accessories supplied with it, that are not specifically authorised by Thermorossi S.p.A, will automatically void the warranty and the manufacturer's responsibility, pursuant to D.P.R. 224 of 24/05/1988, art. 6/b.

Keep this manual in a safe place that is easily accessible to all users: consequently, the user shall be totally liable for the product if used improperly. If the appliance is sold or transferred to another user ensure that the guide is handed over with it.

Thermorossi S.p.A. retains copyright on these service instructions. These instructions may not be reproduced or communicated to third parties or used in any other way without the necessary authorisation.

1.2 SAFETY GUIDELINES



PERSONAL INJURY

This safety symbol identifies important messages throughout the manual. Read the information marked by this symbol carefully as non-observance of this message can cause serious injury to persons using the appliance.



DAMAGE TO PROPERTY

This safety symbol identifies messages or instructions that are fundamental for the heater and system to function well.

To avoid serious damage to the heater adhere strictly to these instructions.



INFORMATION

This symbol indicates important instructions for good functioning of the heater. If this information is not correctly observed, the performance of the heater will not be satisfactory.

1.2.1 RECOMMENDATIONS



Before using the appliance, carefully read every section of this instruction manual as knowledge of the information and the regulations contained in it are essential for a correct use of the appliance.

The entire operation concerning the connection of the electric panel must be carried out by expert personnel; no responsibility will be accepted for damages, even to third parties, if the instructions for installation, use and maintenance of the appliance are not followed scrupulously. Modifications made to the appliance by the user or on his behalf, must be considered to be under his complete responsibility. The user is responsible for all the operations required for the maintenance of the appliance before and during its use.



1.2.2 GENERAL WARNINGS

Caution: the appliance must be connected to a system provided with a PE conductor (in compliance with the specifications of 73/23/EEC, 93/98/EEC, concerning low voltage equipment).

Before installing the appliance check the efficiency of the earth circuit of the power supply system.

Caution: the power supply line must have a section which is suitable for the power of the equipment. The cable section must in any case be no less than 1.5 mm². The stove must be powered with 220-240 V voltage and 50 Hz. Voltage variations greater than 10% of the nominal value can cause irregular operation or damage the electrical device. Position the appliance so that the electric power plug is easily accessible. Ensure that a suitable differential switch is installed upstream from the equipment.

Your heater has obtained the CE marking and has been made to run for 1 hour to check that it functions correctly. The product must not be used by children, by persons with physical or mental impairments, by persons who are not familiar with the instructions for use and maintenance of the product (the instructions are found in this booklet).

CAUTION: Before each use make sure that the burner is clean and positioned correctly in its lodging, check that the ash pans are clean and shut tight and check that the firebox door is locked.

WARNING: the door must always remain shut tight when the heater is operating. It is strictly forbidden to open the door while the heater is in operation. While the heater is in operation the smoke exhaust pipes and the heater can reach extremely high temperatures: do not touch them! Do not expose your body to hot air for long, do not overheat the room in which the appliance is installed, as these actions could cause health problems. Do not expose plants or animals directly to the hot air flow as this could have noxious effects on them. It is strictly forbidden to use any type of fuel (liquid, solid...) to light the appliance: the appliance must light up automatically as designed and described in this installation, use and maintenance booklet; In this regard, it is strictly prohibited to pour pellets (or other material) directly into the brazier. Do not place non-heat resistant or inflammable or combustible objects in the vicinity of the heater: keep them at a suitable distance. Do not place wet clothing to dry on the appliance. When using a clothes horse, keep at a suitable distance. It is strictly prohibited to disconnect the heater from the electrical power mains.



Warning: do not wet the appliance and do not touch the electrical parts with wet hands. Never vacuum hot ash: this could damage the vacuum device. All the cleaning operations described in this manual must be carried out when the appliance is cold.



Caution! Warning for Swiss users
Refer to the local cantonal regulations imposed by the Fire Department (Mandatory signalling and safety distances) and the Note concerning installation of heaters issued by the Association of Cantonal Fire Agencies (VKF - AEAI).

1.3 TRANSPORTATION AND STORAGE

TRANSPORTATION AND HANDLING

The heater body must always be in a vertical position when handled and exclusively by means of trolleys. Take special care to protect the electric panel, the glass, and all the fragile parts from mechanical impact which could damage them and their correct functioning.

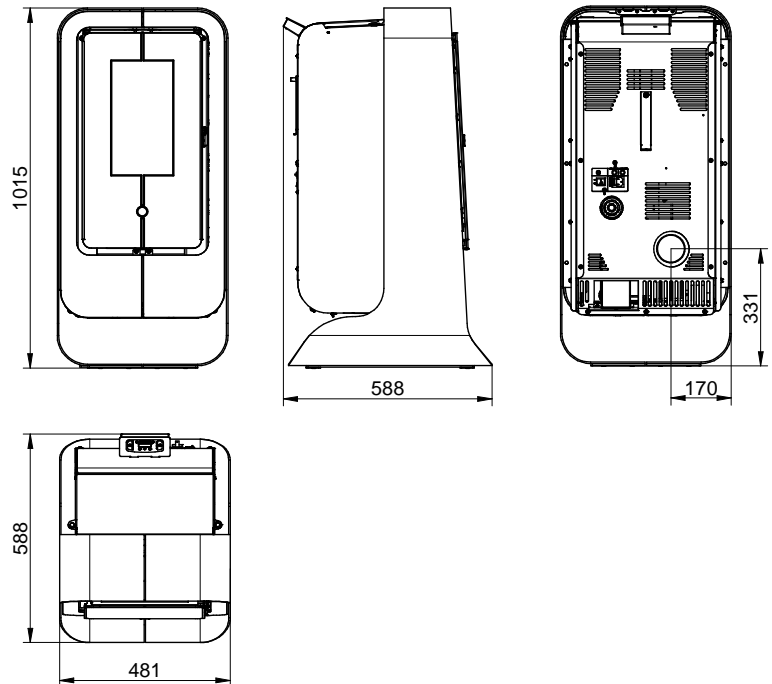
STORAGE

The heater must be stored in a humid-free environment and sheltered from the weather; it is inadvisable to store the heater directly on the floor. The Company denies all responsibility for damage caused to wood floors or floors made from any other material. It is inadvisable to store the heater for long periods of time.

2 - TECHNICAL CHARACTERISTICS*

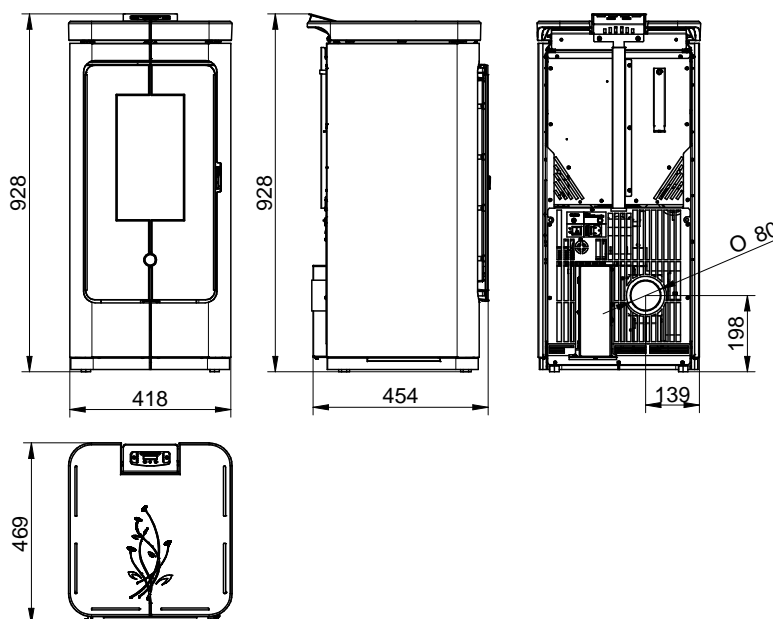
2.1 MODEL CIAO

	CIAO
Height (mm)	1015
Depth (mm)	588
Length (mm)	481
Weight (Kg)	103
Maximum power at firebox (kW)	2.9/7.45
Rated power min./max. (kW)	2.5/6.39
Min/max consumption (Kg/h)	0.60/1.54
Ø smoke exhaust pipe (mm)	80
Min. draught at rated power (Pa)	12
Min. draught at reduced power (Pa)	10
Tank capacity (Kg)	approx. 14
Average smoke temperature at rated power (°C)	184
Average smoke temperature at reduced power (°C)	102.9
Smoke flow at rated power (g/sec)	6
Smoke flow at reduced power (g/sec)	4.5
Efficiency at rated power (%)	85.8
Efficiency at reduced power (%)	86.26
CO concentration in exhaust gas with 13% O2 at rated power (mg/M3)	94.1
CO concentration in exhaust gas with 13% O2 at rated power (mg/M3)	314.2
Power supply voltage and frequency	220 V 50 HZ
Max electrical consumption	1.18 A - 271 W
Min electrical consumption	0.29 A - 66 W
Room heating capacity cubic metres	189**



2.2 MODEL 2000

	2000
Height (mm)	928
Depth (mm)	469
Length (mm)	418
Weight (Kg)	103
Maximum power at firebox (kW)	2.9/7.45
Rated power min./max. (kW)	2.5/6.39
Min/max consumption (Kg/h)	0.60/1.54
Ø smoke exhaust pipe (mm)	80
Min. draught at rated power (Pa)	12
Min. draught at reduced power (Pa)	10
Tank capacity (Kg)	approx. 14
Average smoke temperature at rated power (°C)	184
Average smoke temperature at reduced power (°C)	102.9
Smoke flow at rated power (g/sec)	6
Smoke flow at reduced power (g/sec)	4.5
Efficiency at rated power (%)	85.8
Efficiency at reduced power (%)	86.26
CO concentration in exhaust gas with 13% O ₂ at rated power (mg/M ³)	94.1
CO concentration in exhaust gas with 13% O ₂ at rated power (mg/M ³)	314.2
Power supply voltage and frequency	220 V 50 HZ
Max electrical consumption	1.18 A – 271 W
Min electrical consumption	0.29 A – 66 W
Room heating capacity cubic metres	189**



* All the data are based on the heater fuelled with Austrian standard ÖNORM M 7135 type-approved pellets.

** It is important to take into consideration the fact that the heatable volume is greatly influenced by the insulation of the house (energy class of the building) and by the position of the appliance in the planimetry of the house, therefore the indicated values may vary, even significantly.

3 - GENERAL DESCRIPTION

3.1 OPERATING TECHNOLOGY

Your heater has been built to fully satisfy all your heating and practical requirements. Top-grade components and functions managed with microprocessor technology guarantee high reliability and optimal performance.

3.2 THE PELLETT

The heater is fuelled by pellets, that is, cylinders of compressed sawdust; this allows you to fully enjoy the heat of the flame without having to manually stoke the combustion.

The pellets have a 6 mm diameter and a maximum length of 15 mm. They have a maximum moisture content of 8%; thermal value 4000/4500 Kcal/Kg and density of approx. 620-630 Kg/m³.

It is strictly forbidden to use any pellet type other than that specified above. The use of fuel that does not comply with the above specifications not only immediately invalidates the warranty for the appliance but can also create dangerous situations. Do not use the appliance as an incinerator, at the risk of voiding the warranty.

3.3 THE FEEDBOX



The feedbox is situated in the top part of the appliance. The load capacity specified in the technical data can vary according to the specific weight of the pellets.

Take special care when loading the tank as the screw feeder at its base is in motion. Take care when topping up with fuel as the loading area can get very hot.

Only pellets that comply with the specifications listed above must be fed into the tank; never insert foreign objects into the tank.



Attention: when loading the pellets into the tank take care not to drop any in the inner parts of the appliance, as this could cause live flames inside the appliance.

The manufacturer recommends emptying the tank and vacuuming the screw feeder zone once a month and during the summer period. The appliance is designed to run on pellet fuel. Use of other combustible materials in the tank and/or combustion chamber is strictly prohibited.

4 - INSTALLATION

4.1 APPLIANCE LOCATION



Follow the general guidelines set out in paragraph 1.1 to the letter. Keep in mind that the flooring of the room in which the appliance is to be installed must withstand the combined weight of the appliance and the pellets contained in the tank.

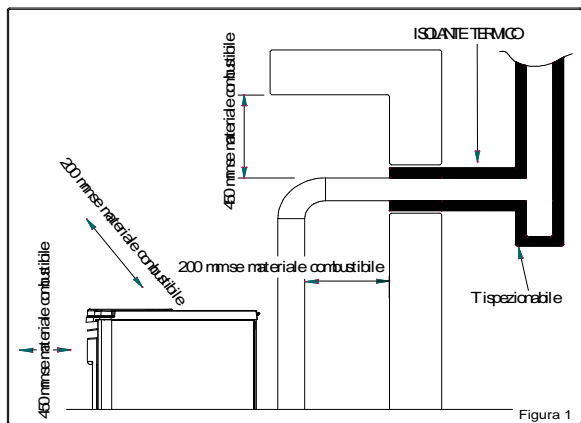


CAUTION: The appliance must be installed in a room with adequate ventilation. The appliance must be positioned at a minimum safe distance from walls and furnishings. If inflammable items are positioned near the appliance (matchboarding, furniture, curtains, wall hangings, sofas, etc...), this gap must be increased considerably. The recommended minimum distances are illustrated in Figure 1. If the flooring is made of wood or any other combustible material, it is recommended to install a fireproof floor protector plate between the appliance and the floor. Installation in the vicinity of heat-sensitive materials is only permitted if suitable insulating and fireproof protection is placed between the object and the appliance (ref. Uni 10683). Failure to observe this instruction will immediately invalidate the warranty.



The installer must issue a certificate of conformity for the installation which includes the design plans and the following documents:

- Report containing the type of materials utilised.
- Project as defined in Article 5 of Ministerial Decree n° 37 22 January 2008.
- Drawing of the finished installation.
- References to existing partial or previous declarations of conformity (e.g. electrical wiring).
- Copy of the certificate of recognition of the professional technical qualifications.



These documents must, by law, be kept together with the use and maintenance guide. The customer is responsible for verifying, directly or indirectly, that the installation has been carried out to perfection in accordance with relevant regulations in force. Do not install the appliance in unsuitable rooms such as bedrooms, bathrooms, garages and/or lock-ups. It is forbidden to place the appliance in environments with an explosive atmosphere.

ATTENTION, the stove is not simply a household appliance: if the instructions set out in this booklet are not followed and/or if installation of the appliance is not executed perfectly and/or the provisions in force are not strictly complied with dangerous conditions could arise for both objects and persons.

LEGENDA

Figura 1

ISOLANTE TERMICO

T ispezionabile

200/450 mm se materiale combustibile

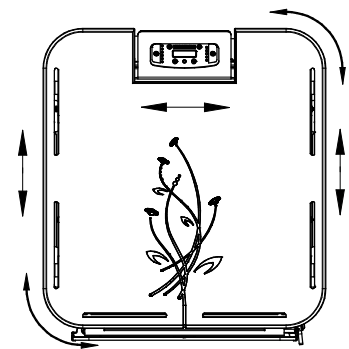
KEY

Figure 1

HEAT INSULATING MATERIAL

Inspectable Tee element

200/450 mm if the material is combustible



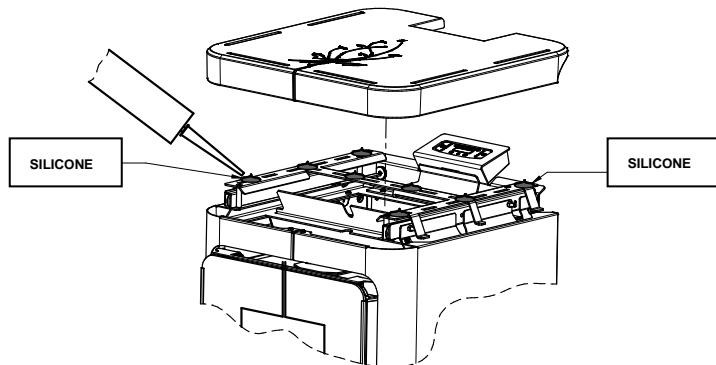
4.2 GLUING THE SLIDING COVER MODEL 2000

To glue the ceramic cover on the sliding support, apply silicone to the surface of the sliding support as illustrated in the figure. The silicone must be the type that is suitable for high temperatures (>200° C).

Position the ceramic cover with the underside on the sliding support and centre the ceramic with the body of the heater, making sure that the movement does not interfere with other heater parts.

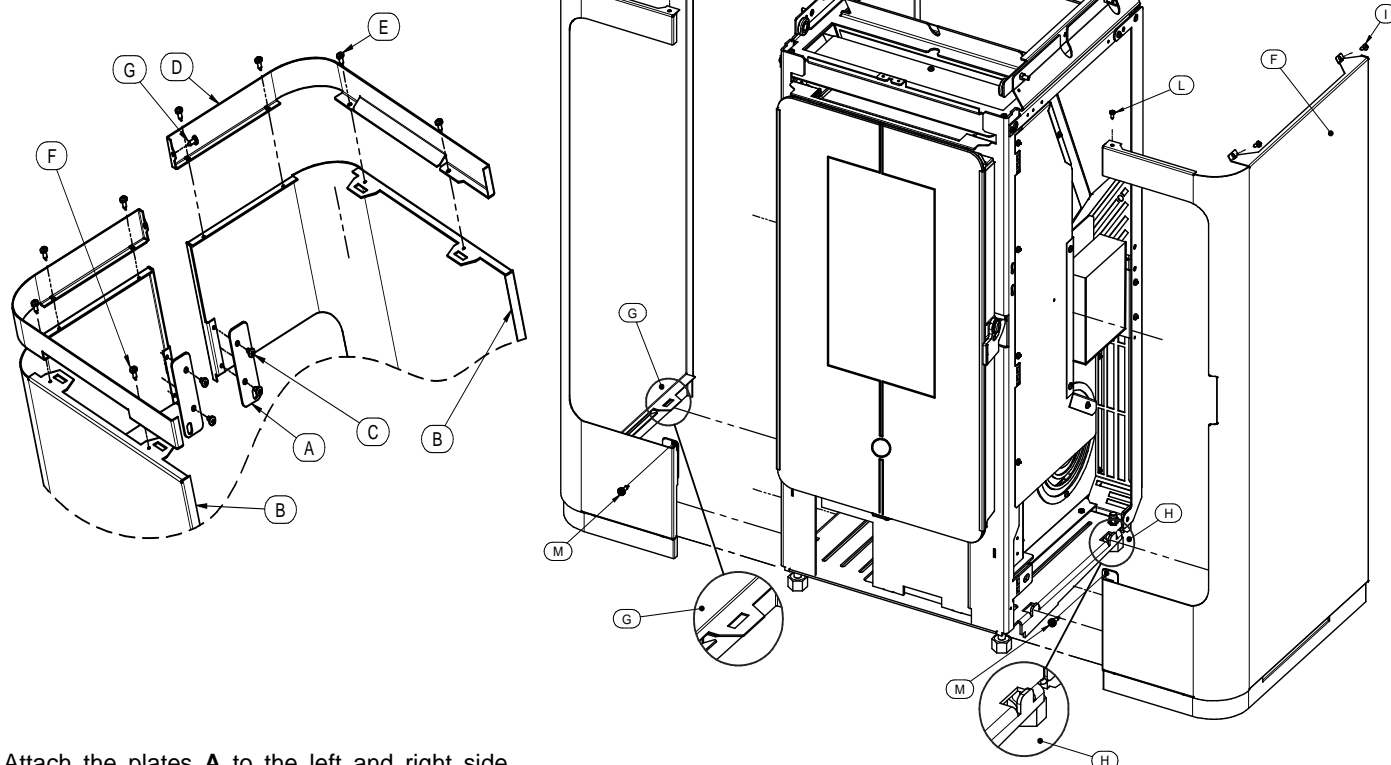
Exert a light pressure with both hands on the ceramic to compress the silicone.

Check again that the ceramic is centred with the body of the heater and wait at least 24h before moving the sliding cover on the appliance in order to allow the silicone to cure. If the room temperature drops below 18°, wait 48 hours for the silicone to cure completely.



4.3 MOUNTING THE CASING OF MODEL 2000

Once the heater had been positioned and the mounting feet adjusted, proceed to mount the casing.



Attach the plates **A** to the left and right side panels with the supplied screws **C**. Position the left and right kickplates **D** on their respective sides and fix with screws **E** and **F**. Tighten the centring screw **G** in the kickplate with the smallest hole.

Position the side panels **F**, previously assembled, on the stove body by matching up the slots **G** with the tabs **H** on the base. Secure the side panels with screws **I** and screws **L**.

5 - DESCRIPTIONS OF CONTROLS

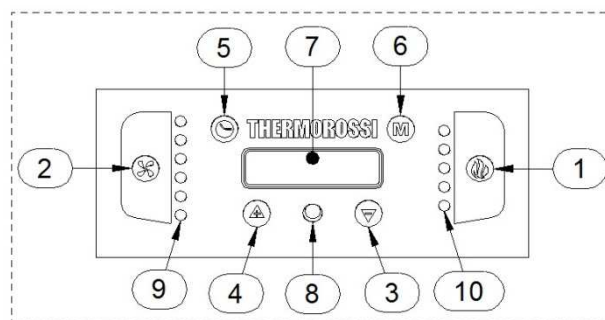
5.1 DESCRIPTION OF THE CONTROL PANEL AND BACK PANEL

5.1.1 DESCRIPTION OF THE CONTROL PANEL

There are two main control pushbuttons marked with the symbol of the flame (1) and with the ventilation symbol (2) respectively. The flame button (1) sets the heater power, there are five possible power levels displayed by the five leds progressively coming on in sequence (10). The shutdown cycle appears on the display when all the five power leds (10) are off. The button (2) controls the ventilation of the heater. It is activated when the heater reaches a temperature equal to or greater than 42 °C. Ventilation can be regulated up to six speed levels (9). When the heater is on the ventilation cannot be switched off.

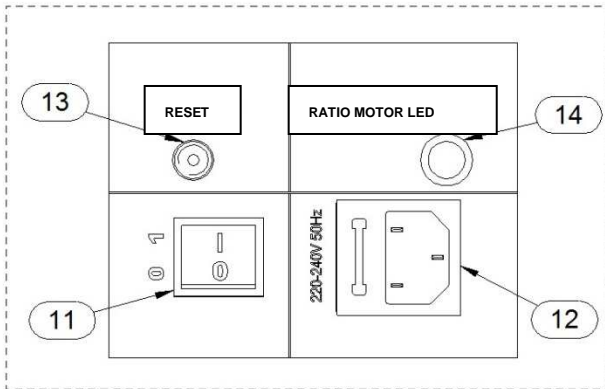
1) Heater on/off and power regulation button: press this button to start the ignition cycle of the appliance **Star/On**; during this stage the third red LED will blink. Press repeatedly to pass on to the various power settings from 1 to 5 (10) up until the shutting down stage; during this stage the third LED blinks for 5 seconds, after which the word OFF appears on the control panel and all the LEDs switch off.

2) Ventilation setting button: Press this button to set the desired ventilation level; select from up to a maximum of six possible speeds that correspond to the number of LEDs (9) lit up.



- 3) Auxiliary settings button:** service button necessary for programming the on-off cycles, operating levels, clock settings.
- 4) Auxiliary settings button:** service button necessary for programming the on-off cycles, operating levels, clock settings.
- 5) Programming activation and deactivation button**
- 6) "MENU" selection button:** Press this button repeatedly to scroll the various regulation, setting and programming options (see paragraphs 5.2 and subsequent paragraphs.)
- 7) Display**
- 8) Infrared sensor for remote control**
- 9) Ventilation level indicator**
- 10) Power level indicator**

5.1.2 BACK PANEL



The panel is installed on the back of the appliance and has the following functions:

- 11) Main switch 0-1**
- 12) Electrical power outlet 220-240V 50 Hz.**
- 13) Overtemperature thermostat button cap.** In the event of overtemperature this safety thermostat stops the loading of pellets. To restart the appliance you need to wait until it cools down, then verify the cause for the overheating, remove the cause, unscrew the protective cap and press the button (13) .
- 14) Feed motor test indicator light.** The light comes on when the pellet screw feeder is set in motion.

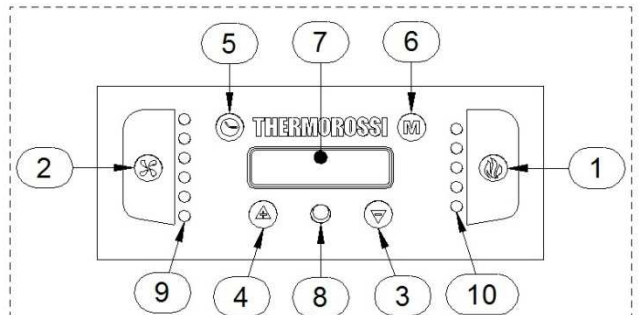
5.2 DAY AND TIME SETTING

The heater must be fed with the rear switch in position "1". Display (7) may show the inscriptions **On**, **OFF** or **Star**.

To set the weekday and current time proceed as follows:
 Press once the key (6), and the inscription **Hour** will flash. After a few seconds the fixed inscription **days** will appear. In order to adjust the day, repeatedly press key (4) or (3) until the led turns on in area (9) which corresponds to the present day; Monday is indicated by the 1st led on, Tuesday is indicated by the 2nd led on,..... Saturday is indicated by 6th led on, while Sunday corresponds to all six leds being on. Then confirm the day by pressing the key (1).

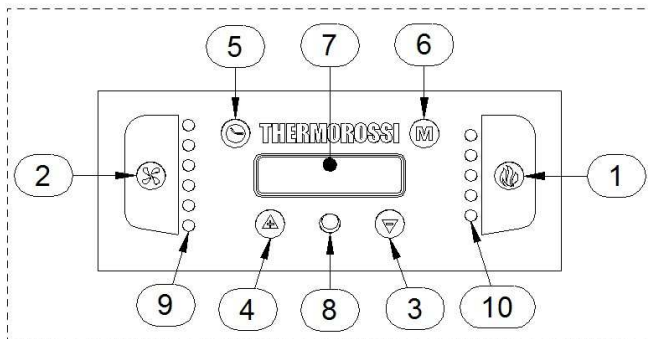
The two digits representing the hours will start flashing in the display: selection must be confirmed by pressing key (1). Now the two minute buttons (4) or (3), and confirm the selection by pressing button (1).

The setting of the day and of the hour is now completed. For the entire procedure to be confirmed and to move back to the heater status display, key (6) must be repeatedly pressed until the operating status is displayed: On, OFF, o Star.



5.3 ON/OFF PROGRAMMING

The heater must be fed with the rear switch in position "1". Display (7) may show the inscriptions **On**, **OFF** or **Star**.



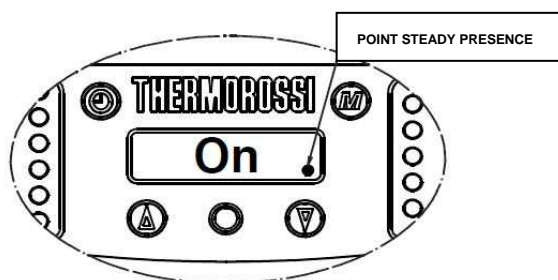
It is possible to carry out the weekly programming by setting up to three on/off cycles for each day from Monday to Sunday. For the programming proceed as follows:

- Press push button (6) until the inscription **cron** is on: in area (9) a led goes on (which indicates that the first day of the week, Monday, is being programmed). Inscription **On1** will appear on the display, and the two digits representing the hours will turn on. Press button (3) or (4) to enter the hour of the first cycle start time. To confirm the selection press the button (1).

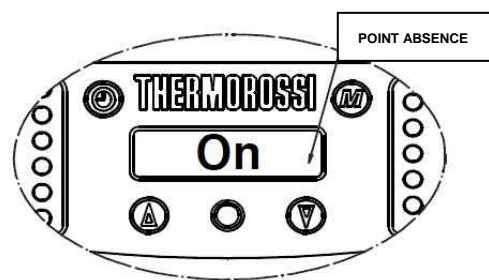
- The two digits representing the minutes will be turn on. Press button (3) or (4) to enter the minutes of the first cycle start time. To confirm the selection press the button (1).
- The first start up time for Monday has now been set. Then the inscription **OFF1** will appear in the display and the two digits representing the hours will turn on. Press button (3) or (4) to enter the time for the first shut off. To confirm the selection press the button (1).
- The two digits representing the minutes will be turn on. Press button (3) or (4) to enter the minutes for the first shut off. To confirm the selection press the button (1).
- At this point the first on-off cycle for Monday has been entered. Later, it is possible to set the Monday's second and third on-off cycle (shown with the display of **On2** and **OFF2**) and the third Monday's on-off cycle (shown with the display **On3** and **OFF3**). Inside the programming menu, if for example the Wednesday's programming is to be changed, go to the third green led by pressing key (2): then edit the on-off program times for Wednesday and confirm by pressing button (6). If the second on-off cycle is not required simply set the **On2** time as 00:00 and the **Off2** time as 00:00 .
- To end the programming process press button (6) several times or exit the programming menu. To enable or disable the programming process press button (5); the programming is enabled when **on cr** appears on the display and the steady LED appears in the bottom right corner of the display; programming is disabled when the **of cr** appears momentarily on the screen and the LED in the bottom right corner of the display goes off. This function activates or deactivates the settings programmed for the week. When the programming is active the operating conditions at ignition (combustion level – ventilation speed) are the same as those set before the last shut down, but only if the shut down occurred through programming, that is, not manually. Caution: in case the off-cycle (if carried out while the heater cycle is being controlled by the programming) is activated manually, at the next start up controlled by the programming the heater will be set at the 1st combustion power level and the 1st ventilation speed.
- In order to display the present time and programmings, key (6) must be repeatedly pressed until the current time is displayed. Press button (3) or (4) to view all the programming values: to exit press button (6) twice. CAUTION: to change the programming day press button (3) or (4) 6 times in succession.
- If you wish to start the heater after a programmed shut down, disable the CHRONO and press button (1) several times.



In the event of a programmed cycle on always ensure that the brazier is clean and seated correctly in its lodging: failure to clean the brazier can reduce the life of the spark plug and be a hazard for the user.



EXAMPLE OF THE DISPLAY WITH THE PROGRAMMING ACTIVATED



EXAMPLE OF THE DISPLAY WITH THE PROGRAMMING DEACTIVATED



When the programming is enabled (temporary inscription **on cr** on the display and, at the same time, a fixed LED is present on the right side at the bottom of the display) any additional chronothermostat (see para. 7.2) is deactivated.

5.4 OPERATING LEVEL SETTING

The heater must be fed with the rear switch in position "1". Display (7) may show the inscriptions **On**, **OFF** or **Star**.

The appliance has an inbuilt program optimised to favour combustion efficiency; this program appears on the display with **P 1**. However, if you use poor quality pellets which have different combustion residues compared to those that comply with current regulations, it is possible to select other pre-programmed combustion levels.

P 2: is an operating program that increases the speed of the smoke suction unit. This program increases the air flow to the burner to improve combustion of more tightly compacted wood pellets: When P 2 is selected, the combustion efficiency could drop.

P 0: this program is useful when using pellets that are too long and/or flue outlets with very high vacuum, over 2 mm water column.

To modify the program, proceed as follows:

- press three times the key (6) until the inscription **LIV** flashes on the display and, then, the corresponding level set on the heater will show (**P 1** or **P 2** or **P 0**)

- By holding down button **(4)** and pressing button **(3)** repeatedly the level changes in the following sequence: **P2... ..P0 ... P1**. If the change is made while the appliance is running the difference in the flame will be apparent in a few seconds.
- For the entire procedure to be confirmed and to move back to the heater status display, key **(6)** must be repeatedly pressed until the operating status is displayed.



It is mandatory to pay particular care when selecting the most appropriate operating cycle for your installation. After the selection of the operating cycle a thorough cleaning of the brazier is mandatory. Caution: the pellet consumption value is not affected by the operating level settings.

6 - USE OF THE APPLIANCE

6.1 SWITCHING ON THE HEATER

Before starting the heater verify that all the components are positioned correctly: ash pan, brazier, firebox back and inspection caps. Remove the adhesive stickers from the glass in order to prevent leaving permanent combustion residues caused by combustion of the stickers themselves.

Connect the feed cable and turn the switch installed on the back of the appliance to position "1" (= ON). Fill the pellet tank.

To turn the heater on it is necessary for the inscription **OFF** to be present on the display: if it is not present, the key (6) must be repeatedly pressed until the inscription **OFF** appears.

- Press button **(1)** to start the lighting process.
- When key **(1)** is repeatedly pressed, the desired combustion level can be set and it will only be active at the end of the ignition stage (20 minutes).
- Pressing button **(2)** repeatedly will set the six speeds, which correspond to the six LEDs on the fan display, which will only become active once the thermostat has closed at 42°C.



CAUTION During the first lighting and every time the appliance is restarted after it has run out of pellets and shut down, the appliance may fail to light. This is due to the fact that the screw feeder is completely empty. In this case it is necessary to start the lighting procedure all over again. Check that the brazier is in the correct position.



The lighting process (**Star** on the display) lasts 20 minutes. During this time the heater ignores all the ventilation and combustions settings. The fan starts as soon as the temperature of the heater body exceeds 42°C. After the 20 minutes have elapsed the word **ON** appears on the display.

6.2 COMBUSTION AND VENTILATION ADJUSTMENTS

Set the heating value of the heater by acting on button **(1)** or on the supplied remote control. The heating value regulates the quantity of pellets fed into the firebox. When all five LEDs are lit the combustion power is at the maximum level.



To set the ventilation speed press button **(2)** or use the supplied remote control. The ventilation speed regulates the number of fan revolutions. When all six LEDs are lit the fan is running at maximum speed.

A slight vibration of the heater is quite normal when it is running.

6.3 INFRARED REMOTE CONTROL

A practical infrared remote control is supplied with the heater: adjust the ventilation level by means of the left button, whereas use the right button to start the heater, to adjust the power and combustion level and to switch off the appliance.

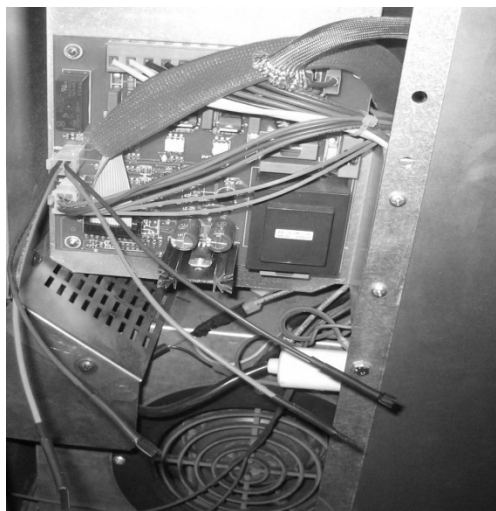
7 - ROOM TEMPERATURE THERMOSTAT / CHRONOTHERMOSTAT (not supplied)



The appliance is fitted out for and programmed for "piloting" by a room temperature thermostat or by a chronothermostat, neither of which are supplied with the heater.

The power board contacts are "DRY", consequently they never require energising! **If the contacts are powered with a voltage greater than 6 V this will result in damage to the electronic board and consequently the immediate voiding of the WARRANTY.** The services of a specialist are required to assemble the accessories.

7.1 OPERATING WITH THE ROOM TEMPERATURE THERMOSTAT (not supplied)



The contacts for the connection of the room temperature thermostat can be accessed inside the electronic board compartment.

If installed, the thermostat will pilot the appliance as follows:

- When the room temperature reaches the set temperature (only during the RUNNING phase) the thermostat closes the contact and the heater shifts to the minimum room fan speed and minimum combustion power.
- When the room temperature drops below the preset value, the thermostat opens the contact and the stove returns to the preset ventilation and combustion power values.

In these conditions the automatic on-off settings are disabled. By using the room temperature thermostat the heater does not shut down, therefore electrical energy consumption is kept to the minimum and the heating element has a longer life.



CAUTION: the room temperature thermostat must be connected to the red wires on the electronic board. N.C. (normally closed) contacts must be used for the connection to the additional room temperature thermostat. (see par. 11 – ELECTRICAL WIRING)

7.2 OPERATING WITH THE ADDITIONAL CHRONOTHERMOSTAT (not supplied)

A chronothermostat can be installed as an alternative to the additional room temperature thermostat. The contacts for the connection of the chronothermostat can be accessed inside the electronic board compartment.

Using this configuration, when the contact of the chronothermostat closes the **Star** startup procedure begins. When it opens the **OFF** cycle begins. The operating conditions at ignition (combustion level – ventilation speed) are the same as those used before the last non-manual shut down of the heater. With the chronothermostat the appliance can be piloted by simply adjusting the desired room temperature value. Once the temperature is set, when the room temperature reaches this value, the chronothermostat opens the contact to command a shut down cycle of the heater. When the room temperature drops below the set value, the chronothermostat commands a start cycle. As well as the room temperature, with the chronothermostat you can also set the time and date for the on-off cycles for the various days of the week. It is therefore possible to program a momentary shutting down of the heater according to the room temperature.



CAUTION: If you select an inappropriate value for the room temperature, the heater will be subjected to continual on-off cycles with consequent increase in electrical energy consumption and excessive wear of the heating element. The manufacturer recommends setting a suitable room temperature value in the chronothermostat in order to prevent this possibility.

The manufacturer denies all responsibility for the life of the electrical heater if subjected to excessive start ups. It is recommended not to exceed three lighting cycles per day.



CAUTION: The chronothermostat must be connected to the black wires on the electronic board. N.C. (normally closed) contacts must be used for the connection to the additional room temperature thermostat. (see par. 11 – ELECTRICAL WIRING)



CAUTION: In the event of connections to a chronothermostat, Thermorossi S.p.A. shall not be held responsible for the appliance not starting up, smoke leaks, breakage of the lighting components. In the event of a programmed cycle on always ensure that the brazier is clean and seated correctly in its lodging.



When the programming is enabled, that is **on cr** appears momentarily on the display and the steady LED appears in the bottom right corner of the control panel display (see para. 5.3), the additional chronothermostat is disabled.

8 - CLEANING AND MAINTENANCE

8.1 FOREWORD

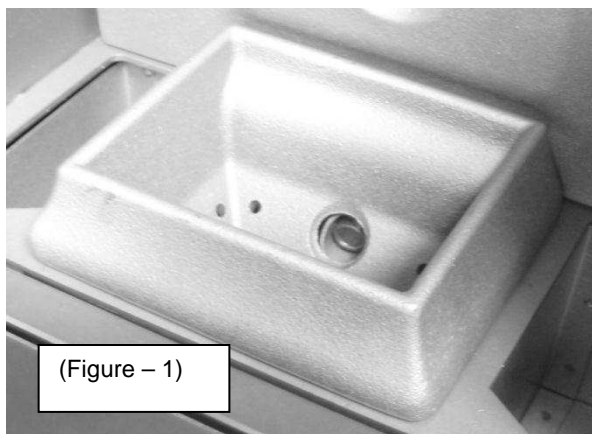


Before beginning any maintenance operation ensure that the appliance is in the OFF phase and disconnect it from the electric power outlet.



Your pellet appliance is a solid fuel generator and consequently requires frequent controls and general cleaning, in order to guarantee that it continues to function correctly and to ensure optimal efficiency. If the heater is not used for long periods, the flue pipe and flue outlet must be checked for obstructions before relighting. It is necessary to accurately follow the directions given below: otherwise severe damages may occur for the product, the installation, objects and the people who use the generator.

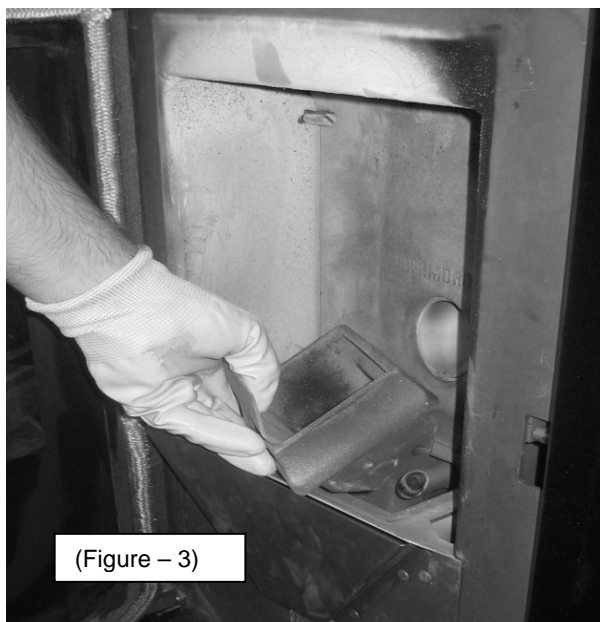
8.2 CLEANING AND MAINTAINING THE APPLIANCE



(Figure - 1)



(Figure - 2)



(Figure - 3)

CAUTION: all the operations must be carried out with the stove switched off and cold.

• **EVERY DAY:** clean out all the combustion residues from the brazier and remount correctly the brazier (figure - 1).

CAUTION: make sure, before every start up, that the brazier is clean and if necessary also thoroughly clean the burner with a suction unit. To guarantee correct operation of the appliance, carefully clean the area around the spark plug.

• **EVERY 2 DAYS:** empty the ash pan of all the combustion deposits (Figure - 2).

• **EVERY WEEK:** remove the brazier and vacuum the residual ashes from the area under the brazier (Figure - 3).

• **EVERY 2 WEEKS:** clean the smoke exhaust "T" at the heater inlet.

• **EVERY MONTH:** inspect and clean the inside of the combustion chamber in the smoke circuit area, access it from the inspection cap (Figure - 4)

• **EVERY MONTH:** remove the cast iron back of the combustion chamber and carefully remove all ash residues from the area (Figures - 5a, 5b and 5c)

• **EVERY MONTH:** remove the right side panel of the heater (Figure - 6a) and clean the room fan grill (Figure - 6b)

• **EVERY MONTH:** when the fuel tank is empty vacuum the pellet dust deposited on the bottom of the tank.

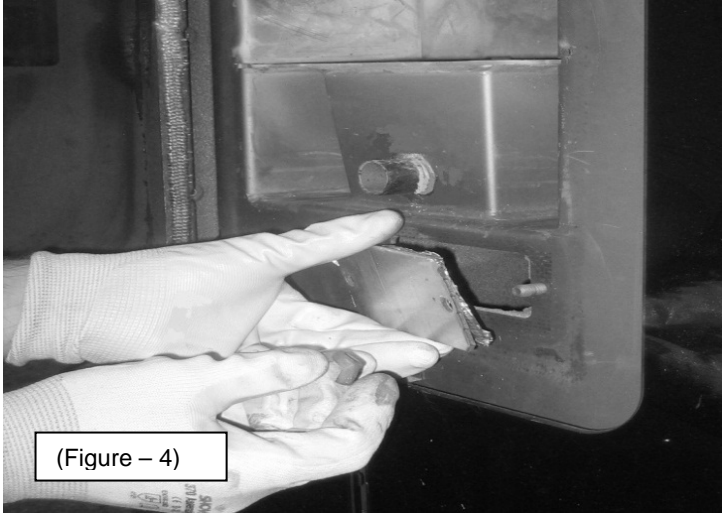
• **AT THE END OF THE WINTER SEASON OR WHENEVER NECESSARY:** thoroughly clean the firebox and behind the combustion chamber of the heater with brushes and an ash vacuum.

• **TWICE A YEAR:** clean the smoke exhaust, including the flue outlet.

A vacuum device simplifies the cleaning procedure. Use a damp cloth or a scrunched up piece of newspaper, dampened and rolled in the ash, to wipe the glass until it is perfectly clean. Do not clean the glass while the heater is operating. The glass remains reasonably clean if the deviator blade is installed correctly in the brazier as shown (Figure - 1).



De-energise the heater and allow the outer casing to cool before cleaning with a special soft microfibre cloth for delicate surfaces dampened with water. Caution: a daily deposit of soot and combustion residues on the glass is quite normal.



(Figure – 4)



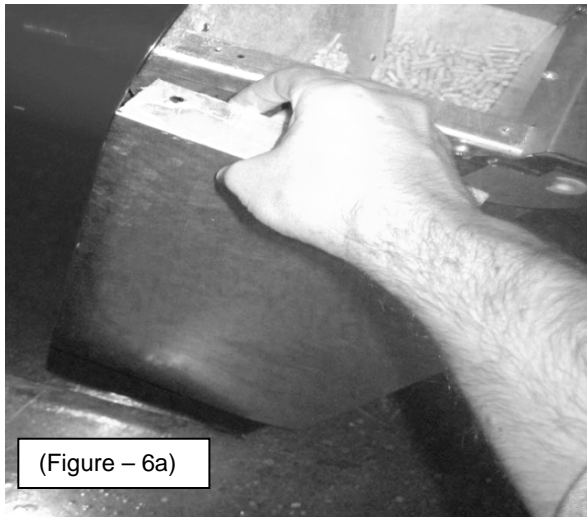
(Figure – 5a)



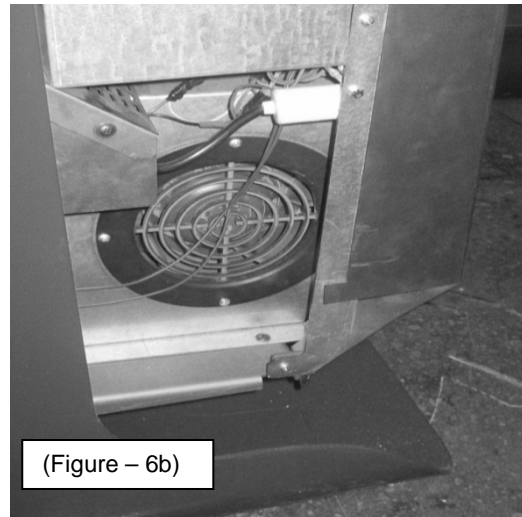
(Figure – 5b)



(Figure – 5c)



(Figure – 6a)



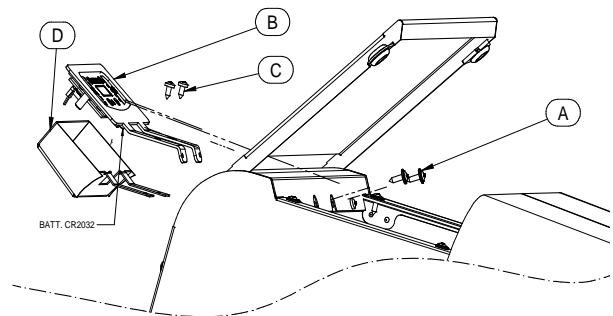
(Figure – 6b)

8.3 REPLACING THE BATTERY OF THE REMOTE CONTROL

When the infrared remote control does not send out the transmission signal (the led comes not on), the battery must be replaced. Using a suitably sized Philips screwdriver, undo the screw of the battery cover on the back of the remote control and replace the battery. The dead battery must be disposed of in compliance with the regulations in force.

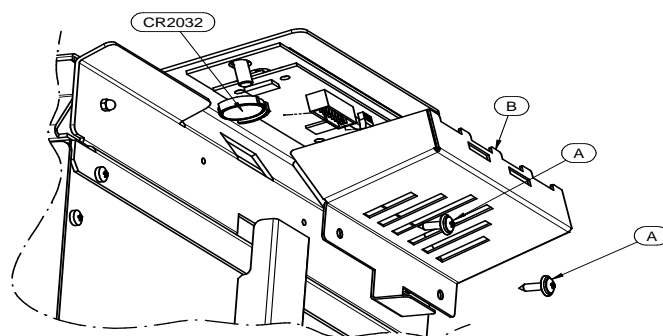
8.4 REPLACING THE BATTERY OF THE CONTROL PANEL FOR MODEL CIAO

Inside the control panel there is a buffer battery type CR2032. When the time and programming are not being memorised, then the battery needs replacing. Undo the two screws **A** which can be reached by opening the pellet tank cover. Slide the control panel **B** out from the back and undo screws **C** to remove the protection **D**. Replace the battery. The dead battery must be disposed of in compliance with the regulations in force.



8.5 REPLACING THE BATTERY OF THE CONTROL PANEL FOR MODEL 2000

Inside the control panel there is a buffer battery type CR2032. When the time and programming are not being memorised, then the battery needs replacing. Undo the two screws **A** which can be reached from the back of the appliance and remove protection **B**. Replace the battery. The dead battery must be disposed of in compliance with the regulations in force.



9 - SMOKE DISCHARGE TUBE AND VENTILATION OF THE ROOMS

9.1 FOREWORD



Due to the frequent accidents caused by poor functioning of flue outlets installed in private dwellings, we have prepared the following paragraph to assist the installer in his inspection of the parts concerned with eliminating the gases produced by combustion.

The smoke outlet must be fitted in compliance with standard UNI 7129/92, UNI 10683 and EN 14785 and it must observe the reference values laid down in the standard, in particular, the outlet must comply with fire prevention regulations.



It is important to carefully follow the instructions set out below: failure to observe these instructions could cause serious damage to the product, to the system, to objects and to persons using the generator.

9.2 ROOM VENTILATION



CAUTION: the presence of extraction fans or similar appliances, if operating in the same room or space in which the product is installed, could cause problems for the correct operation of the product.

CAUTION: do not obstruct the vents or the air inlets on the appliance.

The room where the heater is installed must have a good air flow to guarantee air for the appliance for the combustion process and for ventilation of the room. The natural air flow must take place directly through permanent openings on the outer walls or through single or multiple ventilation ducting (paragraph 9.2.1).

The ventilating air must come from outside and if possible, away from sources of pollution. The openings in the walls must comply with the following conditions:

- have an unobstructed section of at least 6cm² for each Kw of installed thermal power, with a minimum limit of 100cm²;
- be made in such a way that the vent openings, both on the inside and outside of the wall, cannot be obstructed;
- be protected with grills or similar systems that do not reduce the opening section indicated above;
- be situated at a height near floor level and they must not obstruct the correct operation of the combustion product discharge devices; if this position is not possible the section of the ventilation openings must be enlarged by at least 50%.

9.2.2 VENTILATION OF THE ADJACENT ROOMS

The air flow can also be obtained from an adjacent room as long as:

- the adjacent room is equipped with direct ventilation in compliance with the paragraphs described above;
- only appliances connected to the exhaust pipe are installed in the room that is ventilated;
- the adjacent room is not used as a bedroom or a common area of the building;
- the adjacent room is not a room with a fire hazard, such as storage sheds, garages, combustible material store rooms, etc...;
- the adjacent room does not become a vacuum compared to the room to be ventilated due to a reverse draught effect; (the reverse draught can be caused by the presence in the room of either another heating appliance running on any type of fuel, a fireplace, or any suction device, which have not been provided with an air intake)
- the air flow from the adjacent room to the room to be ventilated is unobstructed through the permanent apertures having an overall net section of no less than that indicated above. These apertures can be obtained by enlarging the space between the door and the floor.

9.2.1 SINGLE OR MULTIPLE VENTILATION DUCTING

If the combustion air is supplied through pipes, the available draught, produced by the installed appliance in use and by the corresponding combustion product evacuation system, must be greater than the sum of the resistance offered by the pipes (frictional resistance, resistance due to direction changes, cross-sectional restrictions, etc...).

The single ventilation pipes can be vertically and horizontally oriented: the length of the horizontal sections must be reduced to a minimum.

The connectors between pipes with different orientations must not have any reduced cross-sections with sharp bends.

The angle of connection between the axes of two successive pipes must not be less than 90°.

For combustion air supplied through branched pipes, the sum of the resistance offered by the pipes (frictional resistance, resistance due to direction changes, cross-sectional restrictions, etc...) can be a maximum of 10% of the available draught, produced by the various appliances in use installed on the various floors and by the combustion product evacuation system.

The branched ventilation pipes must be vertically-oriented with an uphill run.

The inlet vent to the room to be ventilated must be located down low and in a position where it does not interfere with the discharge of combustion products and must be protected by a grill or similar device.

9.3 SMOKE OUTLET



The smoke channel, the exhaust pipe, chimney and flue outlet (defined as the system for the evacuation of combustion products), are parts of the heating system and they must comply with the legislative requirements of the Ministerial Decree DM 37/08 (ex Italian Law 46/90) and to the applicable specific installation regulations, according to the type of fuel. Fireplaces, heaters and barbecues must not be installed in locations where gas appliances type A and type B are present and operating (for the classification see UNI 10642 and UNI 719). The connection between the appliance and the flue outlet must only receive exhaust from one heat generator.

9.3.1 CHIMNEY TYPES

The following types of chimneys, constructed as described, are possible:

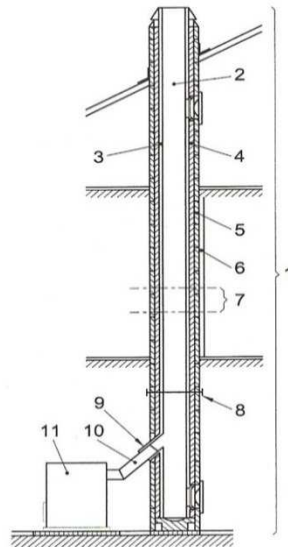
- system: Chimney installed using a combination of compatible components (flue liner, insulation, outer casing etc...), constructed or specified by a single manufacturer and CE certified in accordance with the applicable standard;
- Composite chimney: Chimney installed or constructed on site using a combination of compatible components such as flue liner (wall directly in contact with the smoke), and possibly also insulation and outer casing (wall) that may be supplied by different manufacturers or by the same manufacturer.
- Relining: operation involving the installation of a specific pipe in an existing shaft (even if newly constructed) made of non-combustible materials, free from obstructions and for single use.

9.3.2 FLUE OUTLET / FLUE SYSTEM COMPONENTS

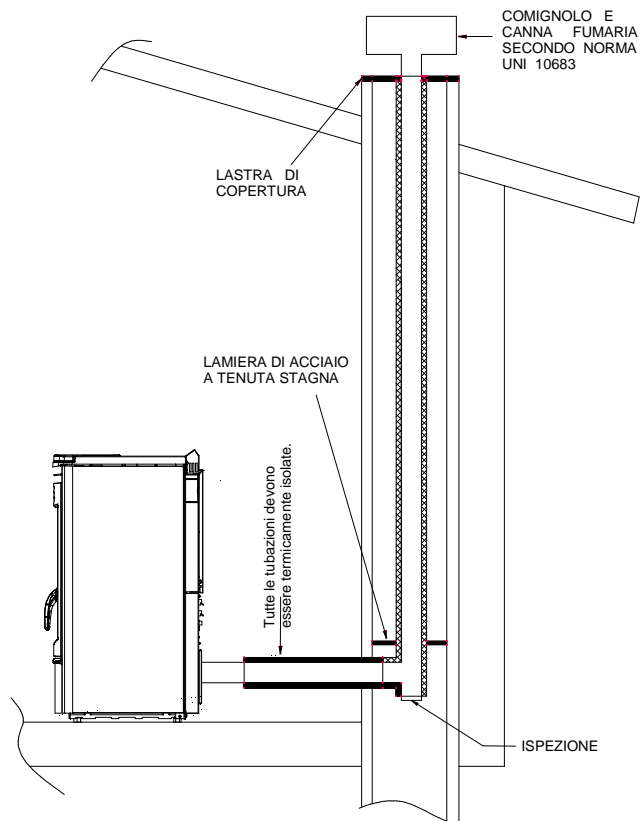
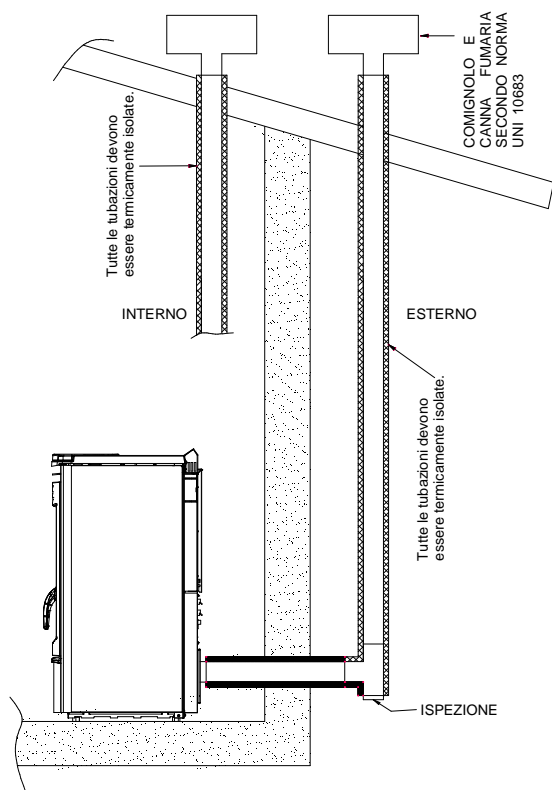
Every chimney must have minimum number of components as laid down by standard UNI EN 1443 which are also indicated in the figure below:

Componentie accessorii di un camino

KEY
1 Chimney
2 Flow path
3 Smoke discharge tube
4 Thermal insulation
5 External wall
6 Outer lining
7 Flue outlet section
8 Multiwall chimney
9 Connector
10 Flue pipe
11 Heat generator



CAUTION: Wall outlets, that is outlets installed on the outer front wall without the use of a chimney/flue outlet /flue pipe to convey the combustion products to the roof, are strictly prohibited.



Legenda figura in alto a sinistra

Tutte le tubazioni devono essere termicamente isolate.
 INTERNO / ESTERNO
 COMIGNOLO E CANNA FUMARIA SECONDO NORMA UNI 10683
 ISPEZIONE

Legenda figura in alto a destra
 LA STRA DI COPERTURA
 LAMIERA DI ACCIAIO A TENUTA STAGNA

Legenda figura in basso a destra
 2 metri MAX.
 Pendenza non inferiore al 5%
 2-3 metri MAX.
 ALTEZZA SUPERIORE A 4 metri

Key top left figure

All the pipes must be thermally insulated.
 INTERNAL / EXTERNAL
 CHIMNEY CAP AND FLUE OUTLET ACCORDING TO UNI 10683 STANDARD
 INSPECTION

Key top right figure
 COVER SLAB
 WATERTIGHT STEEL SHEET

Key bottom right figure
 2 metres MAX.
 Minimum slope 5%
 2-3 metres MAX.
 HEIGHT MORE THAN 4 m.

9.3.3 CONTROLS PRIOR TO INSTALLING THE APPLIANCE

The user must possess a certificate of conformance for the flue outlet (Ministerial Decree 22 January 2008, no. 37).

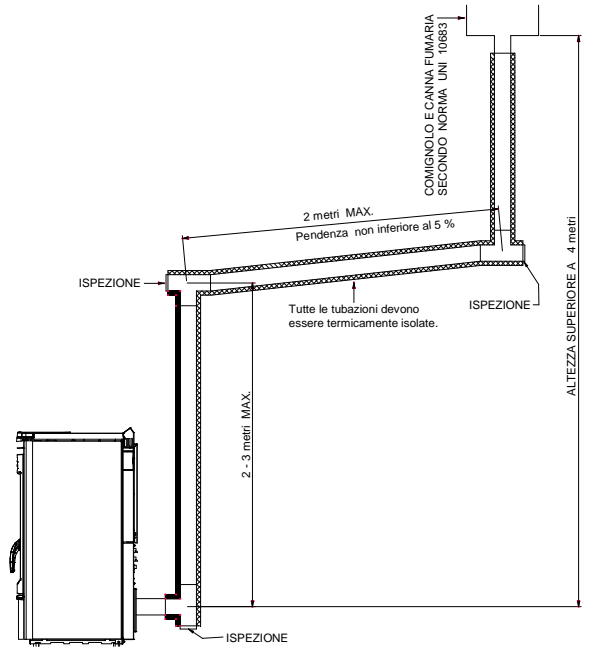
The flue outlet must be built in compliance with UNI 10683.

•The smoke exhaust shown in the following figures is the best solution to ensure the discharge of smoke even when the fan is not operational, such as for example if there is an electrical power failure. A minimum drop of 1.5 metres is required between the T terminal on the outside of the building and the outlet at the back of the heater, to ensure that residual combustion smoke is discharged in the case described above (otherwise the residues would stagnate inside the firebox and exhaust into the environment with added the possibility of explosions). The figures illustrate the best solution for discharging the smoke out through the roof or into the flue outlet. If you prefer to exhaust the smoke from the roof insert a union tee with inspection cap, connecting brackets suitable for the height of the flue outlet, flashing that crosses the roof and chimney cap to protect against bad weather conditions.

If you decide to use the classic masonry exhaust provide a union tee with inspection cap and suitable supporting brackets.

If the flue outlet is too big it is necessary to insert a stainless steel or porcelain-coated steel tube with a diameter not exceeding 150mm. Seal area where the inlet and outlet part of the smoke exhaust meets the wall. It is strictly forbidden to apply mesh to the end of the outlet tube, as it could cause the heater to malfunction. If the smoke tube is installed in a fixed position it is advisable to provide inspection openings for clean-out purposes especially in the horizontal sections. See the diagram. These openings are essential to allow for the removal of ash and unburned products which tend to accumulate along the discharge path. The appliance functions with the combustion chamber in a vacuum, while the discharge of smoke to the flue outlet has a slight pressure, consequently it is imperative to ensure that the discharge system is hermetically sealed. The smoke discharge tube must be made from suitable materials such as for example: porcelain-coated steel tubes, and the various fittings sealed with red silicone (resistant to 350°C). The outer casing of the tube must be made with insulating material (mineral wool, ceramic fiber) or use pre-insulated tubing.

THE FLUE OUTLET MUST BE USED ONLY FOR THE APPLIANCE .



It must be possible to inspect and remove all the smoke tube sections for clean-out purposes.

CAUTION: if the flue outlet is not sufficiently insulated and /or if it is too long it could generate condensation. It is advisable to provide a condensation drain near the smoke outlet of the appliance. The appliance must always and only be installed in a single flue outlet system dedicated exclusively to the appliance.

If the generator is connected to a non-compliant flue system the appliance could rapidly deteriorate due to an abnormal, continuous overheating: in this case the damaged parts will not be covered by warranty.

IF THE CHIMNEY CATCHES FIRE DO NOT HESITATE TO CALL THE FIRE BRIGADE IMMEDIATELY.

10 - ALARMS

The heater is programmed to communicate 3 alarms. In detail the alarms appear as follows:

AL PE Is displayed when the temperature of the heater body during the **On** mode drops below 42 °C.
This indicates that the heater switched off due to lack of pellets.



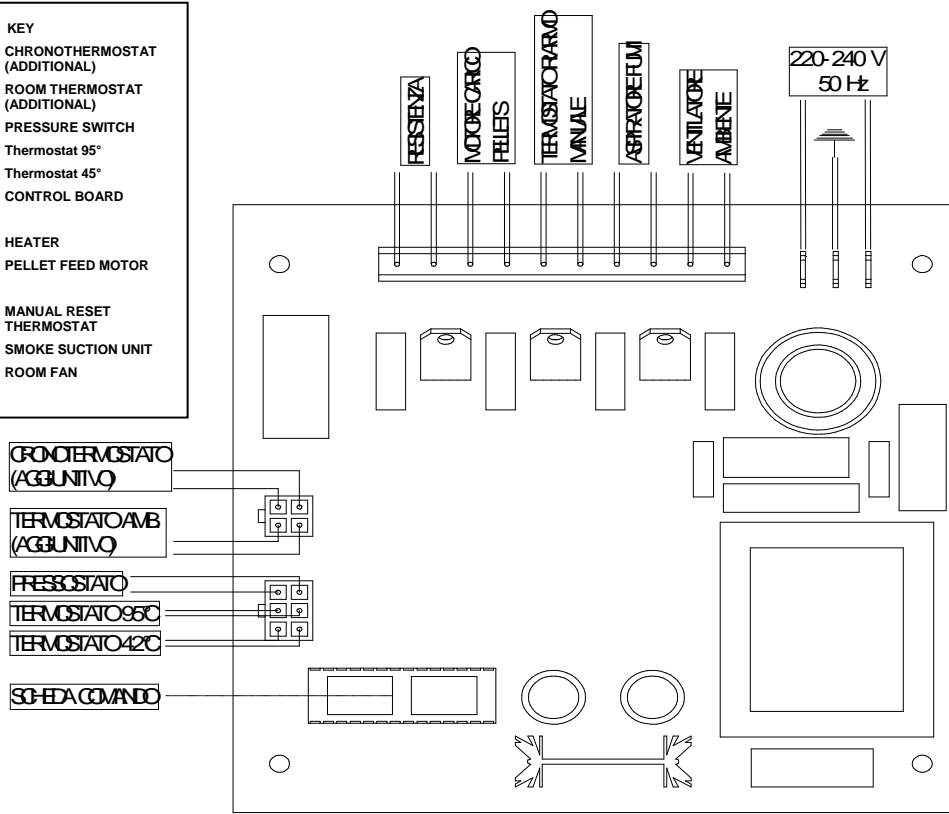
AL AC Is displayed if, at the end of the start up phase, the temperature does not rise above 42°C.

AL OP Is displayed when the smoke outlet is partially or totally blocked.

In order to set the alarms to zero, the feed to the heater must be turned off and restored using switch 0-1 on the back of the heater.

11 - ELECTRICAL WIRING

LEGENDA	KEY
CRONOTERMOSTATO AGGIUNTIVO	CHRONOTHERMOSTAT (ADDITIONAL)
TERMOSTATO AMB. AGGIUNTIVO	ROOM THERMOSTAT (ADDITIONAL)
PRESSOSTATO	PRESSURE SWITCH
TERMOSTATO 95°	Thermostat 95°
TERMOSTATO 45°	Thermostat 45°
SCHEDA COMANDO	CONTROL BOARD
RESISTENZA	HEATER
MOTORE CARICO PELLETS	PELLET FEED MOTOR
TERMOSTATO RIARMO MANUALE	MANUAL RESET THERMOSTAT
ASPIRATORE FUMI	SMOKE SUCTION UNIT
VENTILATORE AMBIENTE	ROOM FAN



12.1 MAIN COMPONENTS AND THEIR POSITION

SMOKE PRESSURE SWITCH

This is a safety switch that stops the screw feeder motor whenever necessary. The main cause for the pressure switch tripping is a blocked flue outlet or smoke exhaust pipe. Note that it is strictly forbidden to apply any kind of mesh screen to the end of the pipe. When the holes of the mesh clog up they create a plug that trips the pressure switch which stops the pellet feeder.

SCREW FEEDER MOTOR

This motor is powered at regular on/off intervals controlled by a microprocessor. The operation of this motor is affected when: The motor's thermal cutout trips; the pressure switch trips due to blocked smoke exhaust; the heater is shut down intentionally or the heater shuts down because it runs out of pellets; the manual reset thermostat trips at 125°C

ROOM FAN

The fan starts automatically as soon as the 42°C thermostat closes the contact. Likewise it stops when the pellets have run out or when the heater is shut down, that is when the thermostat opens the contact and in any case not more than 20 minutes later.

SMOKE SUCTION UNIT

This is activated when the start up signal is given. In the first minute it "washes" the smoke discharge tube and functions at maximum working rate. Once this time has elapsed (1 minute) it self-adjusts to the optimal speed. The exhaust continues to operate for approximately 20 minutes from the time the heater is switched off to allow for the evacuation of all the smoke and for safety purposes.

THERMOSTAT AT 42°C

Its function is critical for the following reasons: When the contact closes the heater powers up and the working cycle starts. Similarly, when the contact opens the smoke exhaust stops.

TANK SAFETY THERMOSTAT

This thermostat starts operating as soon as the temperature in or near the pellet tank approaches 85°C and sends an immediate signal to the room fan to operate at maximum power.

125°C MANUAL RESET THERMOSTAT

When the temperature exceeds 125°C the pellet feed screw shuts down. A red light at the back of the appliance remains lit. Once the causes for the overtemperature have been identified and remedied the heater can be reactivated by unscrewing the plastic cover of the thermostat located at the back of the heater and pressing the button (the heater temperature must be below 117 °C).

GLOW PLUG

It is activated in the switching on phase. It heats the air flowing into the brazier up to 800°C, which causes the pellets in the brazier to ignite and begin the combustion process.

12.2 GUIDELINES FOR CORRECT INSTALLATION

- Read this instruction booklet.
- The appliance must always be switched off from the control panel. It is forbidden to switch off the appliance by means of the switch installed on the back of the heater.
- The appliance must never be disconnected from the electrical power supply and the power supply must never be cut off during normal operation. Whenever the appliance is deliberately disconnected from the electric power supply smoke could be emitted into the room.
- Do not install the appliance with horizontal wall outlets only: Evacuation of products of combustion by natural draught must always be guaranteed as well. Unsuitable installation of the outlets could cause a forced shut down of the appliance due to overpressure of the exhaust smoke caused by a gust of wind.
- At the first startup, run the heater at the maximum power and minimum ventilation for at least ten hours in a well-ventilated room, in order to dispose of the smoke generated by the complete dryness and baking of the silicates contained in the enamel coating of the combustion chamber.
- Do not install a grill or outlet terminal that could slow down the flow of the combustion gases: this would obviously cause the appliance to malfunction.
- Keep the appliance clean and check the burner as described in these instructions.
- Clean the smoke outlet regularly.
- Use good quality pellets: use of poor pellets can result in up to 50% less efficiency.
- The pellets must be stored in a well-ventilated, dry place.
- Sizing of the chimney liner:

Painted aluminized steel tubes (1.5 mm minimum thickness), Aisi 316 stainless steel tubes or 0.5 mm enamelled tubes may be used.

Minimum vertical length 4 m / Maximum vertical length 8 m / Length with minimum slope 5% 0.5 m

Maximum number of elbows at least 0.5 m apart: 2

- The stove door must always remain closed during normal operation.
- Do not touch hot outer surfaces, unless with special equipment.
- Do not pour the pellets directly into the brazier.
- Keep fuel and inflammable materials at a suitable distance.
- Use only original spare parts supplied by the manufacturer.

12.3 TROUBLESHOOTING CAUSE-SOLUTION

PROBLEM	CAUSE	REMOVAL OF THE CAUSE
PELLETS DO NOT DROP INTO THE BURNER	PELLET TANK IS EMPTY (DISPLAY SHOWS THE INSCRIPTION "AL PE")	EMPTY THE BURNER AND CLEAN IT UP FILL UP THE TANK WITH PELLETS
	FEEDER SCREW BLOCKED BY FOREIGN OBJECT SUCH AS NAIL, NYLON, PIECE OF WOOD REMOVE THE FOREIGN BODY INSIDE THE TANK. (DISPLAY SHOWS THE INSCRIPTION "AL PE")	CUT OFF THE POWER AND REMOVE THE FOREIGN OBJECT.
	SMOKE EXHAUST NOT FREE, OR WITH TERMINAL THAT OBSTRUCTS THE PASSAGE OF SMOKE (DISPLAY SHOWS THE INSCRIPTION "AL OP")	EMPTY THE BURNER AND CLEAN IT UP CHECK THE SMOKE EXHAUST AS IT COULD BE CLOGGED
	OUTLET TERMINAL CLOGGED BECAUSE A GRILL OR TERMINAL HAS BEEN INSERTED WHICH PREVENTS THE FREE PASSAGE OF SMOKE (DISPLAY SHOWS THE INSCRIPTION "AL OP")	EMPTY THE BURNER AND CLEAN IT UP CHECK THE SMOKE OUTLET AND REMOVE THE GRILL OR TERMINAL
	GUST OF WIND WHICH HAS MADE THE APPLIANCE GO INTO SAFETY MODE (DISPLAY SHOWS THE INSCRIPTION "AL OP")	EMPTY THE BURNER AND CLEAN IT UP SWITCH THE POWER SUPPLY TO THE APPLIANCE OFF THEN BACK ON AGAIN
	THE PELLET SCREW MOTOR DOES NOT WORK	REPLACE THE PELLET SCREW MOTOR

	<p>THE RESET THERMOSTAT TRIPPED</p> <p>(DISPLAY SHOWS THE INSCRIPTION “AL T max”)</p>	<p>THE ROOM FAN IS BROKEN AND MUST BE REPLACED. REPLACE THE FAN AND REACTIVATE THE THERMOSTAT BEHIND THE APPLIANCE</p>
<p>THE APPLIANCE SHUTS OFF A FEW MINUTES AFTER THE END OF THE START UP CYCLE</p>	<p>DELAYED START BECAUSE THE SCREW FEEDER WAS EMPTY</p> <p>(DISPLAY SHOWS THE INSCRIPTION “AL AC”)</p>	<p>EMPTY THE BURNER AND CLEAN IT UP FILL UP THE TANK WITH PELLETS</p>
	<p>BURNER IS DIRTY. VERY DELAYED START</p> <p>(DISPLAY SHOWS THE INSCRIPTION “AL AC”)</p>	<p>EMPTY THE BURNER AND CLEAN IT AS INDICATED IN THIS MANUAL</p>
<p>THE APPLIANCE ACCUMULATES PELLETS IN THE BRAZIER DURING THE STANDARD OPERATION</p>	<p>SMOKE OUTLET BLOCKED OR TERMINAL OBSTRUCTING THE SMOKE PASSAGE</p>	<p>EMPTY THE BURNER AND CLEAN IT UP CHECK THE SMOKE OUTLET AND REMOVE THE GRILL OR TERMINAL</p>
	<p>BURNER IS DIRTY</p>	<p>EMPTY THE BURNER AND CLEAN IT AS INDICATED IN THIS MANUAL</p>
	<p>PELLETS WITH DEPOSIT ABOVE PERMISSIBLE LIMITS</p>	<p>EMPTY THE BURNER AND CLEAN IT AS INDICATED IN THIS MANUAL SET THE OPERATING PROGRAM “P2”</p>
	<p>THE BURNER IS NOT PROPERLY PLACED ON ITS SEAT</p>	<p>EMPTY THE BURNER AND CLEAN IT AS INDICATED IN THIS MANUAL</p> <p>REPOSITION THE BURNER CORRECTLY IN ITS LODGING</p>
<p>THE APPLIANCE DOES NOT START UP</p>	<p>THE SPARK PLUG IS DAMAGED</p> <p>(DISPLAY SHOWS THE INSCRIPTION “AL AC”)</p>	<p>EMPTY THE BURNER AND CLEAN IT AS INDICATED IN THIS MANUAL</p> <p>REPLACE THE SPARK PLUG</p>
<p>THE GLASS IS COVERED IN BLACK SOOT</p>	<p>THE APPLIANCE ACCUMULATES PELLETS IN THE BRAZIER</p>	<p>CLEAN THE GLASS MORE OFTEN CLEAN AND SERVICE THE HEATER SET THE OPERATING PROGRAM “P2”</p>
	<p>BRAZIER BLADE POSITIONED INCORRECTLY OR WORN OR MISSING</p>	<p>POSITION THE BRAZIER BLADE CORRECTLY OR INSTALL IT</p>

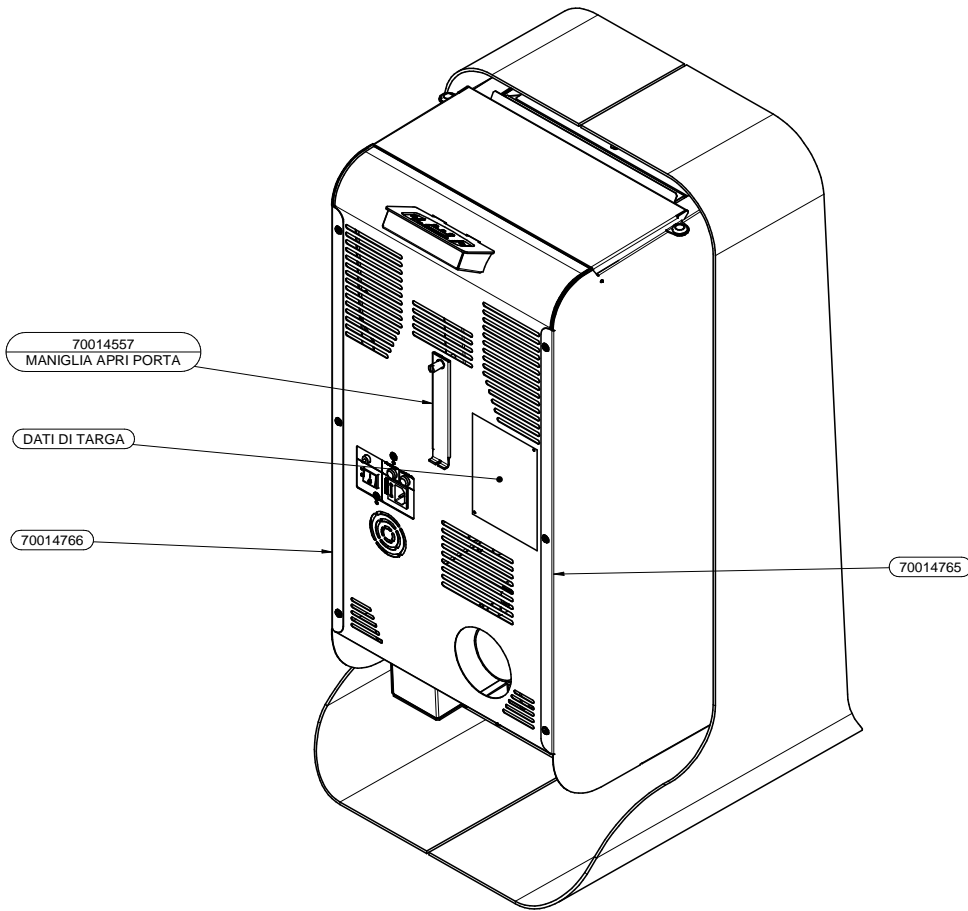
	THE APPLIANCE OPERATES WITH FREQUENT ON-OFF CYCLES	THE APPLIANCE NEEDS TO OPERATE AT A HIGHER POWER LEVEL
--	---	---

THE HEATER DOES NOT SEEM TO HEAT	ROOM TOO BIG AND/OR WALLS TOO COLD	SEPARATE THE SPACES THE HEATER SHOULD OPERATE FOR MORE TIME AND WITH MORE POWER
	POOR PELLETS	REPLACE THE PELLETS WITH A BRAND THAT IS CERTIFIED IN ACCORDANCE WITH STANDARD OM 7135
	CEILINGS TOO HIGH AND/OR PRESENCE OF STAIRS THAT DISPERSE THE HEAT ELSEWHERE.	SEPARATE THE SPACES THE HEATER SHOULD OPERATE FOR MORE TIME AND WITH MORE POWER
	ROOM TEMPERATURE THERMOSTAT IS SET TOO LOW	SET A HIGHER TEMPERATURE
THE APPLIANCE IS SWITCHED OFF BUT THERE ARE STILL UNBURNT PELLETS IN THE BRAZIER	PELLET TANK IS EMPTY (DISPLAY SHOWS THE INSCRIPTION "AL PE")	EMPTY THE BURNER AND CLEAN IT UP FILL UP THE TANK WITH PELLETS
THE APPLIANCE SHUTS OFF 25 MINUTES AFTER THE START UP CYCLE	THE 42°C THERMOSTAT IS BROKEN OR FAULTY	REPLACE THE 42°C THERMOSTAT
THE SLIDING COVER (MODEL 2000) IS HARD TO MOVE	PELLETS IN THE COVER GUIDES	USE A VACUUM CLEANER TO REMOVE THE PELLETS FROM THE GUIDES
THE PROGRAMMING AND TIME DO NOT REMAIN	THE BUFFER BATTERY IN THE CONTROL PANEL IS EXHAUSTED	REPLACE THE BATTERY (SEE PARAGRAPH 8.4)

IN THE MEMORY		
----------------------	--	--

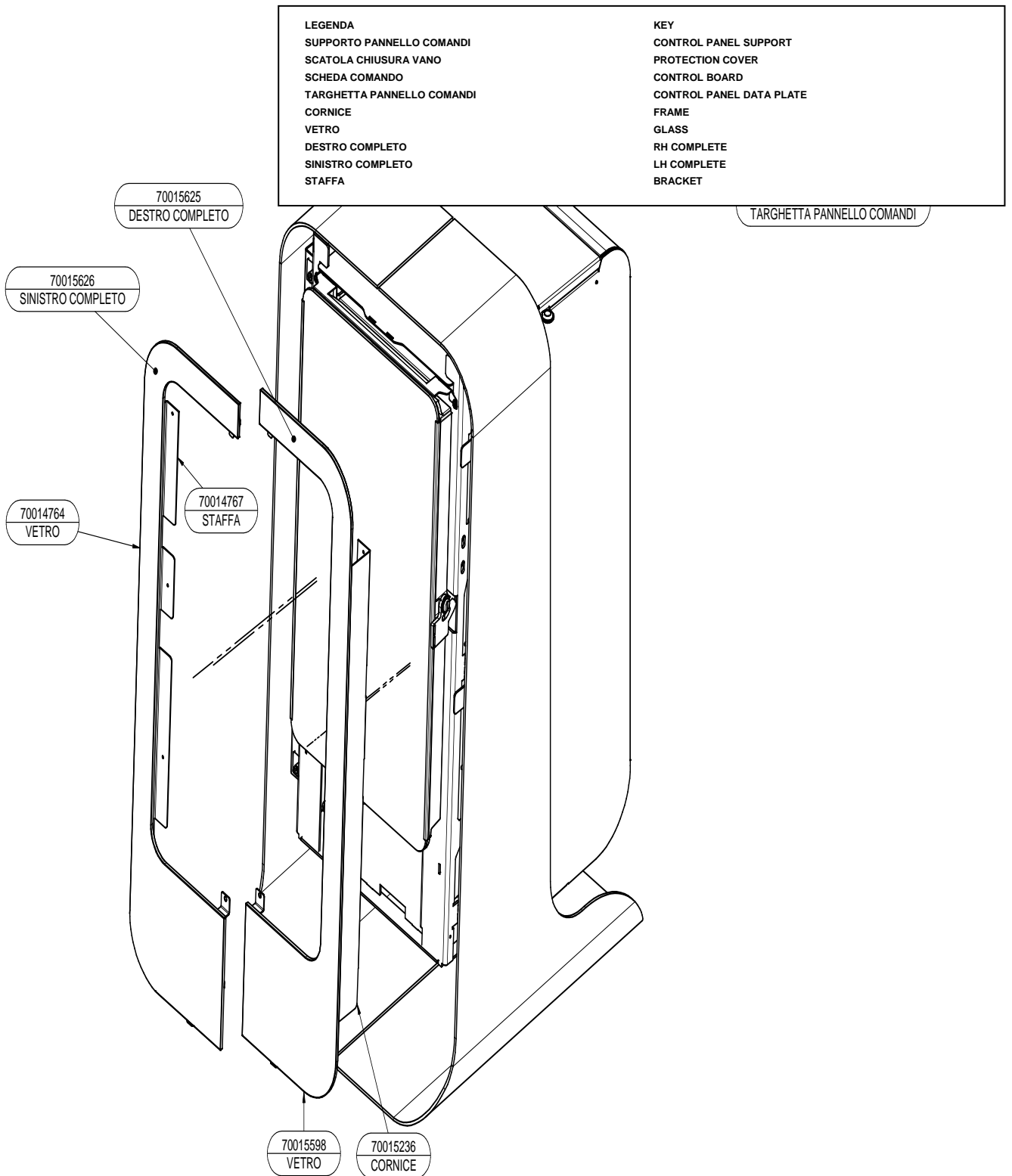
IF THE RECOMMENDED REMEDIES DO NOT SOLVE THE PROBLEM CONTACT A TECHNICAL ASSISTANCE SERVICE

13.1 MAIN COMPONENTS AND THEIR POSITION 1/5

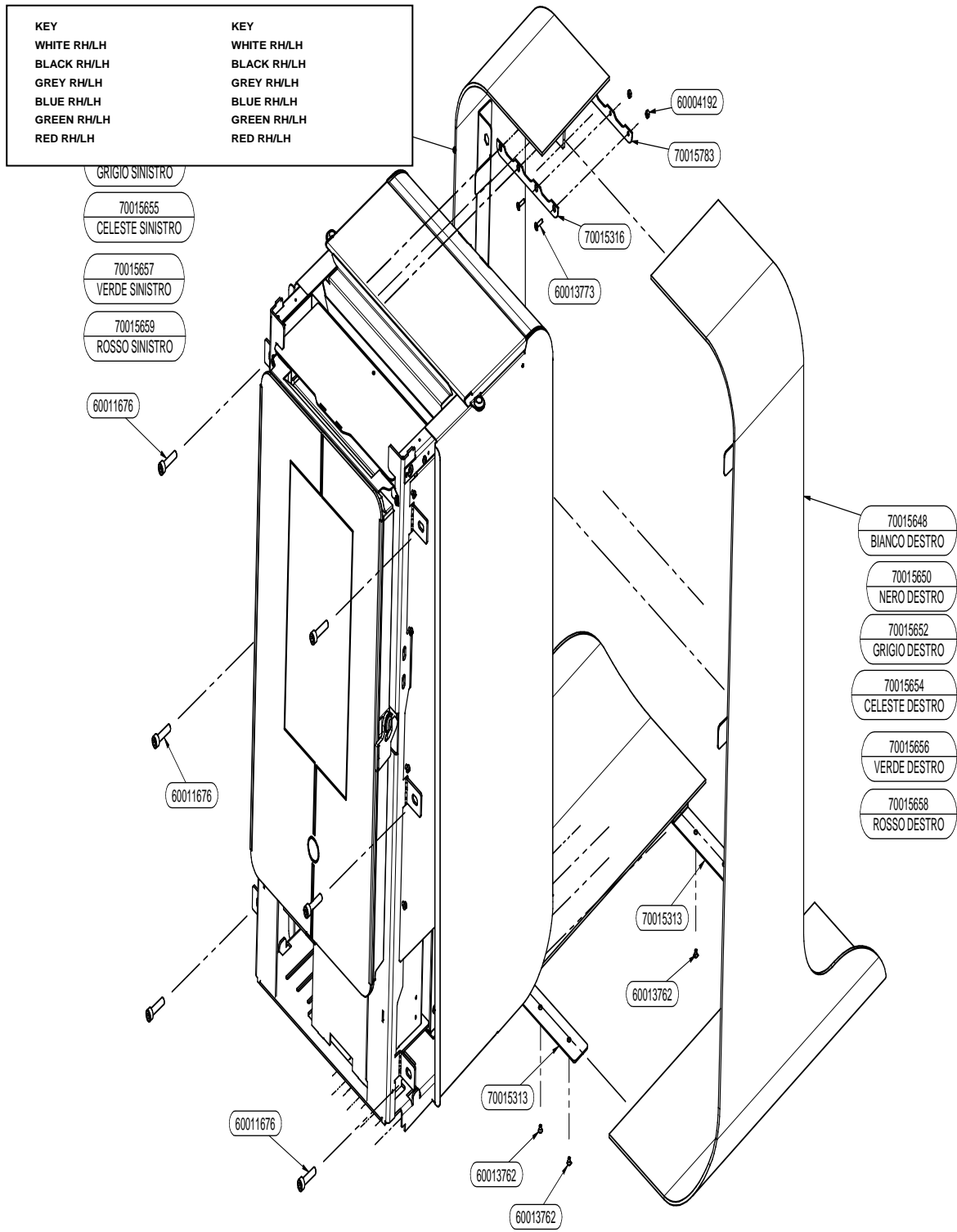


LEGENDA	KEY
MANIGLIA	DOOR HANDLE
PORTA	
DATI DI TARGA	DATA PLATE

13.2 MAIN COMPONENTS AND THEIR POSITION 2/5



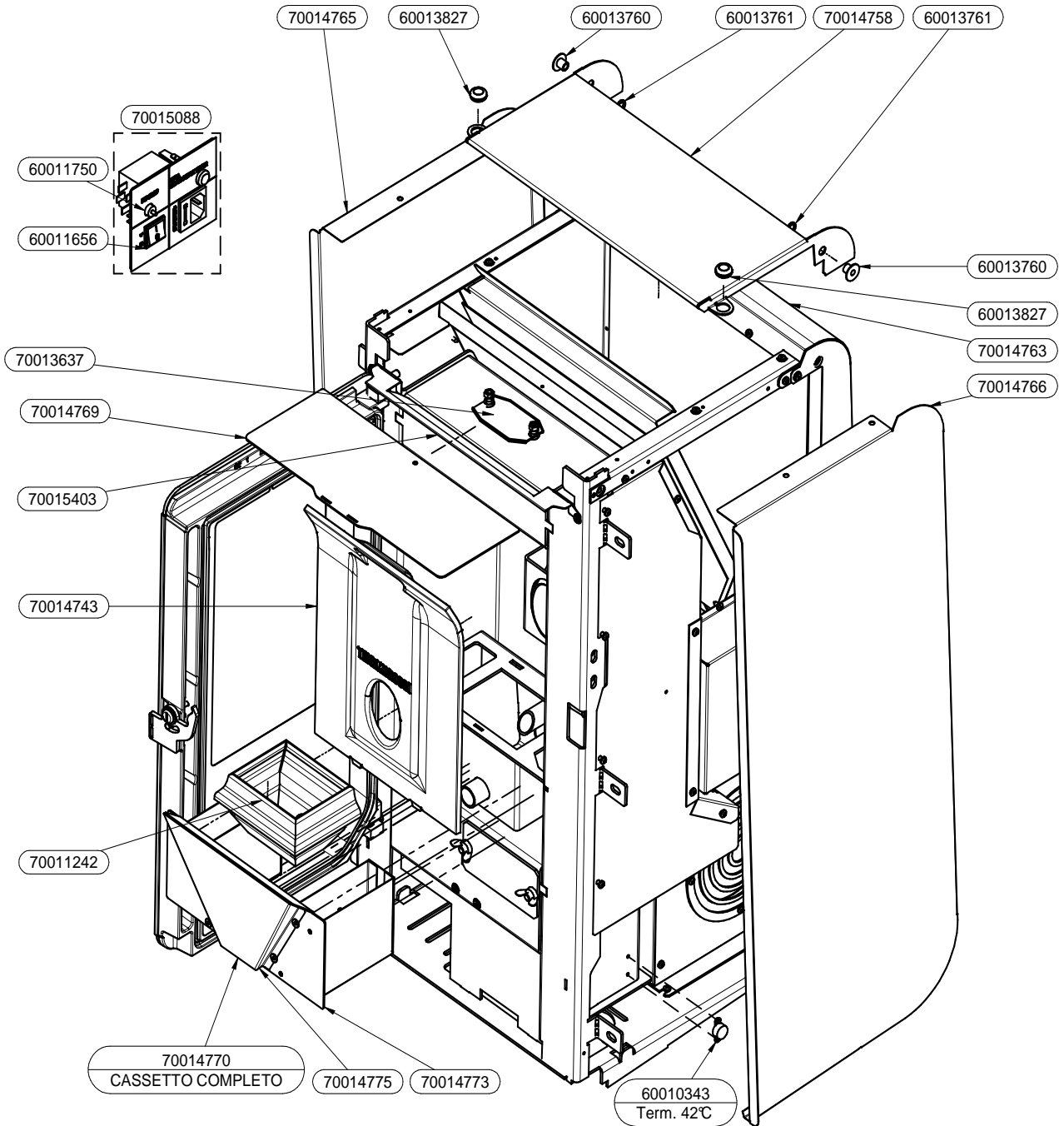
13.3 MAIN COMPONENTS AND THEIR POSITION 3/5



13.4 MAIN COMPONENTS AND THEIR POSITION 4/5

LEGENDA
 TERM. 42°C
 CASSETTO COMPLETO

KEY
 THERM. 42°C
 COMPLETE DRAWER



14.1 FOREWORD

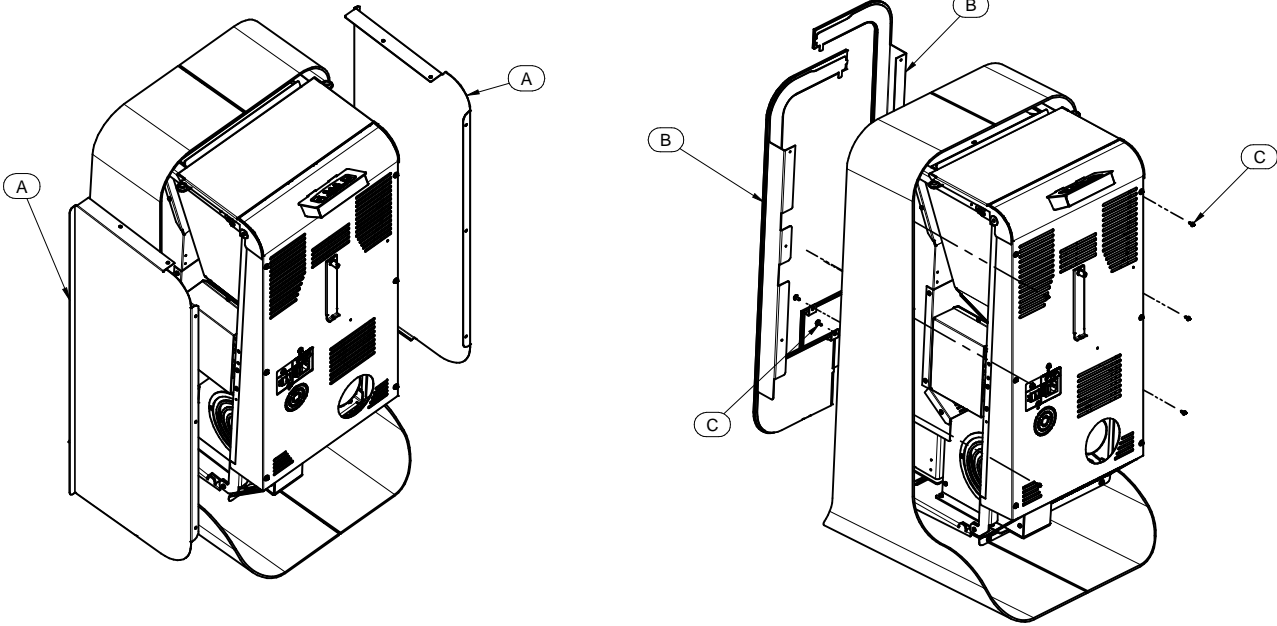
If the customer prefers a colour that is not one of the standard colours available, the seller can remove the casing, as described in this paragraph and have it painted the preferred colour.



CAUTION: The operations described below must be carried out by a trained technician. The paints used for the casing must be suitable for continuous high operating temperatures above 110°C. When dismantling the casing, place a layer of soft material between the heater and the floor in order to prevent damaging both the floor and the casing.

14.2 DISMANTLING THE SIDE PANELS AND FRONT GLASS

Remove the side panels (A). Remove the front glass panels (B) by undoing the screws at the rear (C).

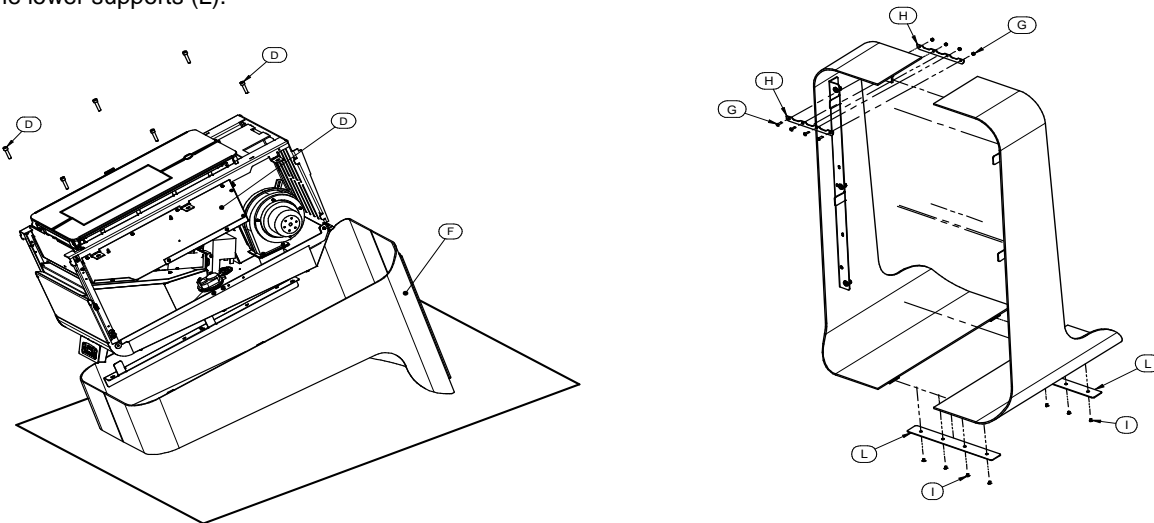


14.3 DISMANTLING THE STOVE BODY AND CASING

Lay the heater down as illustrated in the figure. Undo the six screws (D). Carefully pull the body away from the casing – at least two people are required for this operation.

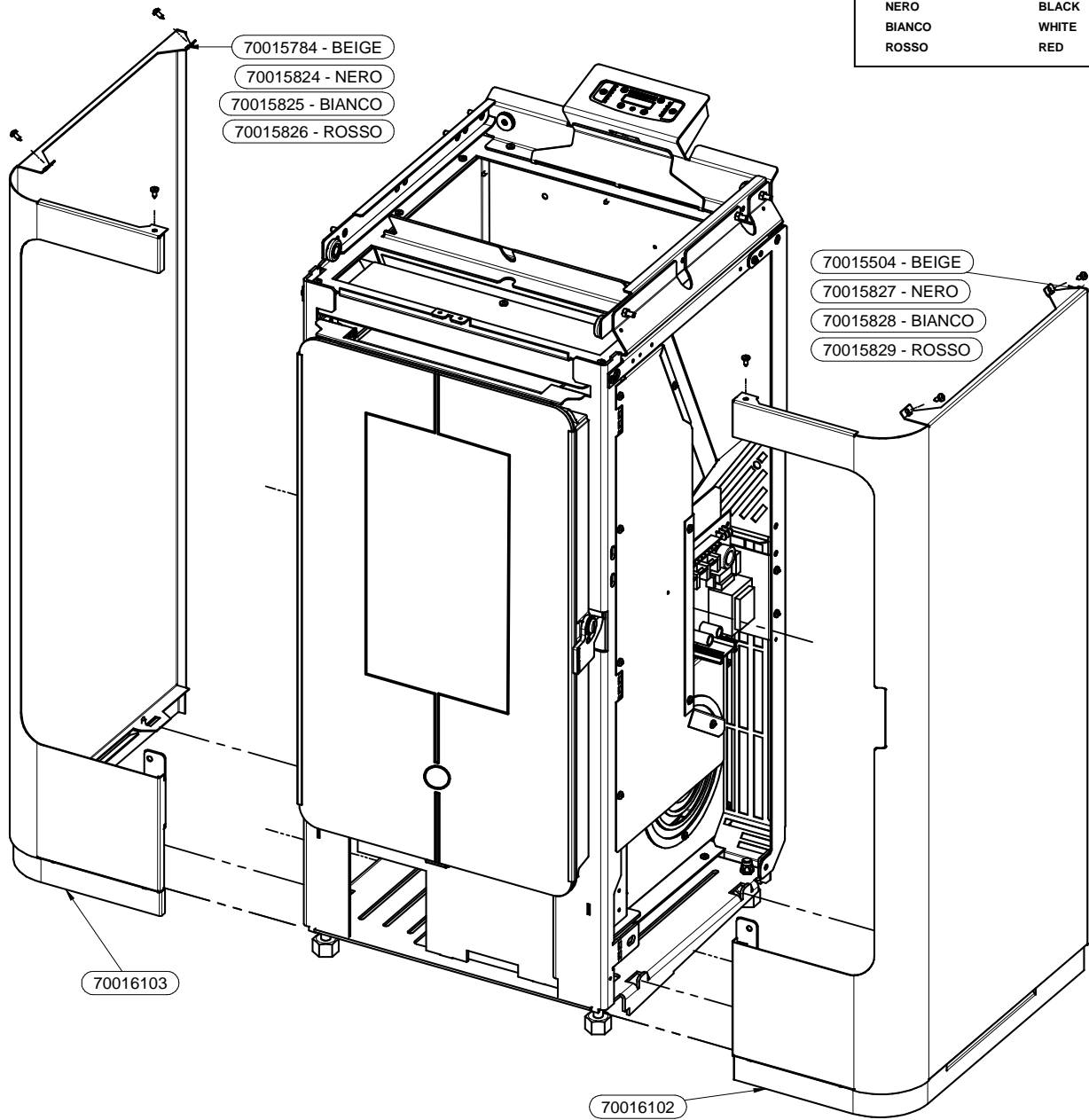
This operation must be carried out with the utmost care as the heater body is extremely heavy to move. THERMOROSSI S.p.A. declines all responsibility for injury to persons or damage to objects caused by negligence.

To separate the two half shells of the casing, undo the screws (G) and remove the brackets (H). Undo the screws (I) and remove the lower supports (L).

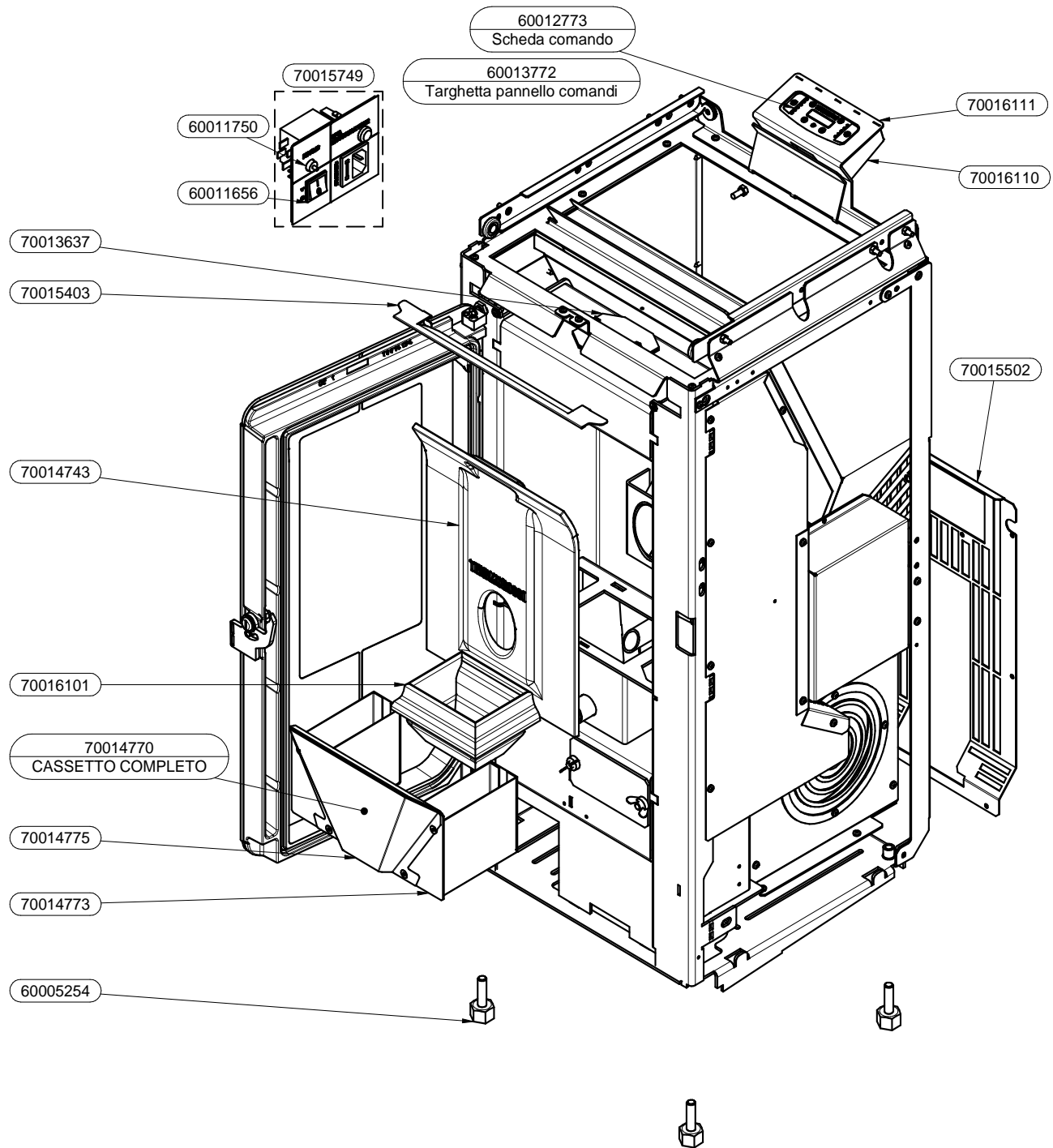


15.1 MAIN COMPONENTS AND THEIR POSITION 1/3

LEGENDA	KEY
BEIGE	BEIGE
NERO	BLACK
BIANCO	WHITE
ROSSO	RED



15.2 MAIN COMPONENTS AND THEIR POSITION 2/3



LEGENDA FIGURA
CASSETTO COMPLETO

SCHEDA COMANDO

TARGHETTA PANNELLO COMANDO

FIGURE KEY

COMPLETE DRAWER

CONTROL BOARD

CONTROL PANEL DATA PLATE

15.3 MAIN COMPONENTS AND THEIR POSITION 3/3

