

MOMA IDRA 18

PELLET THERMOSTOVE



Characterized by a minimalist and sober style, its functional and essential details made with resistant materials such as steel and cast iron, give charm and strength.

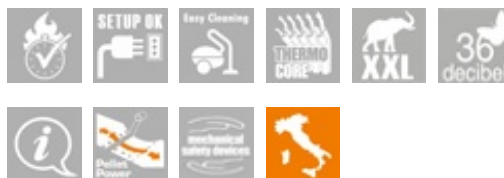
Heatable area

160 m².

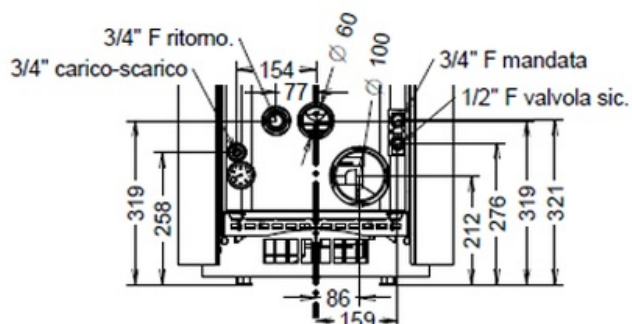
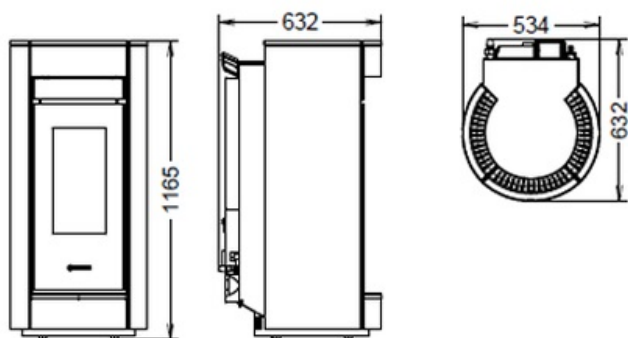




- 1 - Programmable control screen, with remote control
- 2 - Cast iron top
- 3 - Sliding access for pellet loading
- 4 - Screen-printed ceramic glass and cast iron firebox door
- 5 - Ash saving floor



DIMENSIONS



TECHNICAL DATA

DIMENSIONS (HXWXD)	1165X534X632
WEIGHT (KG)	165,50
HEATABLE AREA (M ²)	160
EFFICIENCY UP TO MAX (%)	96,7%
ENERGY CLASS	A+
POWER TO THE HEART (KW)	5,4 - 18,6
RATED POWER (KW)	5,3 - 17,8
POWER TO THE WATER (KW)	3,7 - 13,8
RADIATION (KW)	1,7 - 4
HOURLY PELLET CONSUMPTION (KG/H)	1,1 - 3,8
WOOD HOURLY CONSUMPTION (KG/H)V	-
PELLET HOPPER CAPACITY (KG)	19,00

WARM AIR DUCTING	-
MAXIMUM SINGLE DUCTING OUTLET (M)	-
PATENTED BURNER PELLETPOWER®	SI
ROMM VENTILATION	-
PRIMARY AIR FROM OUTSIDE	SI
CO EMISSIONS (MG/M³; 13% DI O2)	52
CO EMISSIONS (MG/M³; 10% DI O2)	-
DUST EMISSIONS (MG/M³; 13% DI O2)	9,3
DUST EMISSIONS (MG/M³; 10% DI O2)	-
SILENCE(DB)	36,00
REMOTE CONTROL	-
RADIO CONTROL WITH ROOM TEMPERATURE THERMOSTAT	-
WEEKLY PROGRAMMER (3 DAILY LIGHTING)	SI
SMART INFO FUNCTION	SI
SYSTEM CIRCULATING PUMP	SI
EXPANSION TANK	SI
OVER PRESSURE VALVE	SI
FLUE GASEXHAUST DIAMETER (MM)	80
MIN. FLUE DRAUGHT PRESSURE (PA)	10
ELECTRIC CONSUMPTION (WATT)	90-340
HIGH TEMPERATURE SAFETY THERMOSTAT	SI

THERMOROSSI S.p.A.

Via Grumolo, 4 | 36011 Arsiero (VI) | Italy | E-mail: info@thermorossi.it

Tel: 800.44.88.77 | Fax: 0445 741657 | P.IVA 00168470243 | Iscr. REA99797 Vicenza | Cap. Sociale di 156,000,00 I.v.