

SLIMQUADRO 9

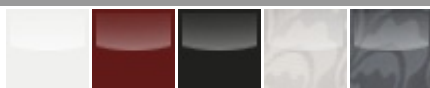
AIR-DUCTING PELLET STOVE

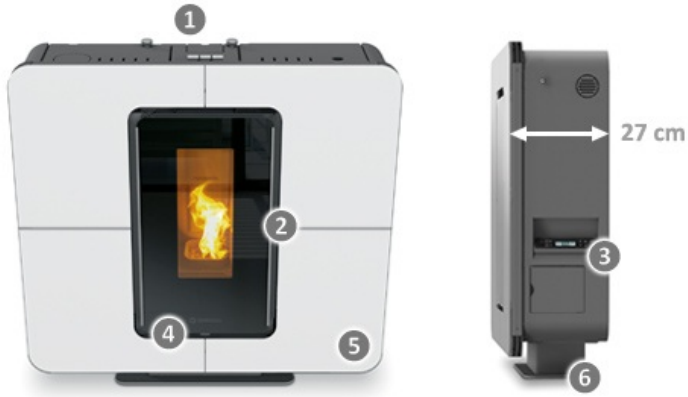


The unique patented design that saves space which is an international success is now available for smaller models. Equipped with multi-directional MULTI WAY AIR SYSTEM, heat exchanger THERMOCORE and simplified cleaning system EASY CLEANING. Available in coloured glass or with versions Mood décor or Sun décor.

Heatable area

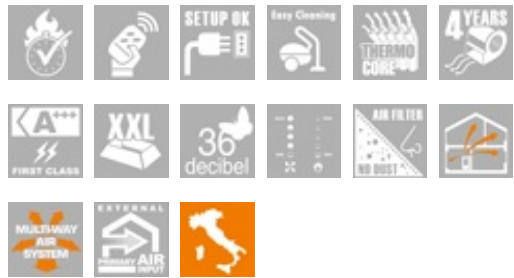
77 m².





- 1 - Multiway Air System: adjustable air flow (front - rear - right - left)
- 2 - Removable door handle. Essential design and added safety
- 3 - Programming control panel, with remote control
- 4 - Precious cast iron and glass firebox door
- 5 - Crystal finishes
- 6 - Removable pedestal for wall installation

Flue outlet options: top - rear - left side
 Duct vent options: 2 rear - 1 side left - 1 side right



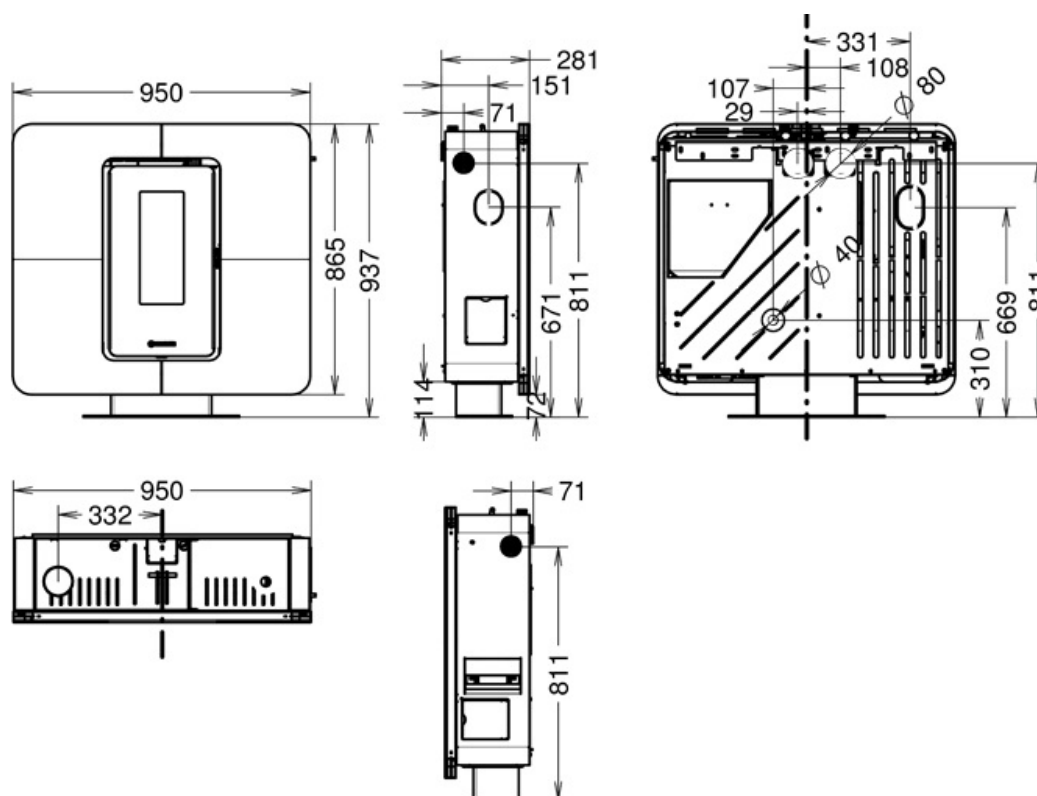
DETAILS



OPTIONAL ACCESSORIES



DIMENSIONS



TECHNICAL DATA

DIMENSIONS (HXWXD)	937X950X281
WEIGHT (KG)	120
HEATABLE AREA (M ²)*A*C	77
EFFICIENCY UP TO MAX (%)*A	89,3%
ENERGY CLASS	A+
POWER TO THE HEART (KW)*A	3,8 - 9,8
RATED POWER (KW)*A	3,4 - 8,5
POWER TO THE WATER (KW)*A	-
RADIATION (KW)*A	-
HOURLY PELLET CONSUMPTION (KG/H)*A	0,8 - 2
WOOD HOURLY CONSUMPTION (KG/H)*A	-
PELLET HOPPER CAPACITY (KG)*A	17,0
WARM AIR DUCTING	SI
MAXIMUM SINGLE DUCTING OUTLET (M)	10
PATENTED BURNER PELLETPOWER®	-
ROOM VENTILATION	SI
PRIMARY AIR FROM OUTSIDE	SI
CO EMISSIONS (MG/M ³ ; 13% OF O ₂)*A	64,1
CO EMISSIONS (MG/M ³ ; 10% OF O ₂)*A	-
DUST EMISSIONS (MG/M ³ ; 13% OF O ₂)*A	11,9
DUST EMISSIONS (MG/M ³ ; 10% OF O ₂)*A	-
SILENCE (DB)	36
REMOTE CONTROL	SI

RADIO CONTROL WITH ROOM TEMPERATURE THERMOSTAT	OPT
WEEKLY PROGRAMMER (3 DAILY LIGHTING)	SI
«SMART INFO» FUNCTION	SI
SYSTEM CIRCULATING PUMP	-
EXPANSION TANK	-
OVER PRESSURE VALVE	SI
FLUE GASEXHAUST DIAMETER (MM)	80
MIN. FLUE DRAUGHT PRESSURE (PA)	10
ELECTRIC CONSUMPTION (WATT)	70-270
HIGH TEMPERATURE SAFETY THERMOSTAT	SI

*A EMISSIONS AND PERFORMANCE DATA MAY CHANGE ACCORDING TO THE FUEL USED. THE VALUES OF PELLET PRODUCTS HAVE BEEN OBTAINED BY USING CERTIFIED FUEL ACCORDING TO EN 14961-2 A1-A2 NORM. WOOD LOGS PRODUCTS VALUES MAY VARY ACCORDING TO THE TYPE AND QUALITY OF THE WOOD LOGS USED.

*B PROVISIONAL DATA UNDER CERTIFICATION

*C IMPORTANT: WHEN CALCULATING THE VOLUME OF THE "HEATED AREA" SOME RELEVANT ASPECTS MUST BE CONSIDERED: INSULATION OF THE BUILDING (ENERGY CLASS), POSITION OF THE HEATER, CLIMATIC AREA AND MORE ASPECTS THAT CAN AFFECT THE VALUES OF PERFORMANCE. REPORTED DATA HAVE BEEN CALCULATED ON THE BASE OF ROOF NOT HIGHER THAN 3 MTS.

THE MANUFACTURER RESERVES THE RIGHT TO MAKE CHANGES WITHOUT PREVIOUS NOTICE.

THERMOROSSI S.p.A.

Via Grumolo, 4 | 36011 Arsiero (VI) | Italy | E-mail: info@thermorossi.it

Tel: 800.44.88.77 | Fax: 0445 741657 | P.IVA 00168470243 | Iscr. REA99797 Vicenza | Cap. Sociale di 156,000,00 I.v.