

# BOSKY COUNTRY 30 EVO FIORI

CENTRAL HEATING COOKER



Central heating cooker Bosky Country 30 fiori: after having heated the homes of thousands of devoted customers BOSKY's appearance has been restyled while maintaining its renowned reliability and quality. The precious majolica covering of the Bosky central heating cooker hides a technological and advanced system.

Heatable area

193 m<sup>2</sup>.



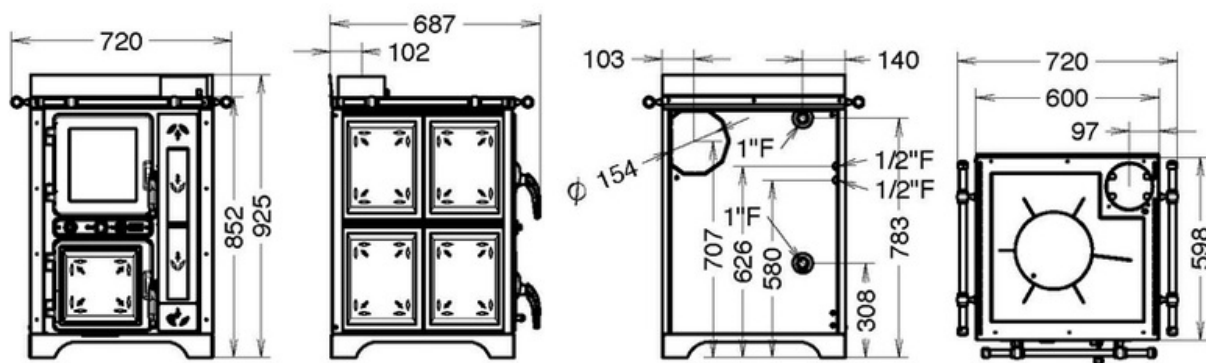
- 1 - Brushed steel cooking plate. Optional: cast iron rings and vitrified cooking plate
- 2 - Lateral handrail (optional)
- 3 - Large combustion chamber (HxLxP 520x300x442)
- 4 - Cool touch door handle
- 5 - Automatic draft control
- 6 - Precious handmade majolica by craftsmen
- 7 - «Easy cleaning» technology



## OPTIONAL ACCESSORIES



## DIMENSIONS



## TECHNICAL DATA

DIMENSIONS (HXWXD)	925X600X687
WEIGHT (KG)	232
HEATABLE AREA (M <sup>2</sup> )*A*C	193

EFFICIENCY UP TO MAX (%) *A	70,1%
ENERGY CLASS	A
POWER TO THE HEART (KW) *A	30,5
RATED POWER (KW) *A	21,4
POWER TO THE WATER (KW) *A	19
RADIATION (KW) *A	2,3
HOURLY PELLET CONSUMPTION (KG/H) *A	-
WOOD HOURLY CONSUMPTION (KG/H) *A	7,4
PELLET HOPPER CAPACITY (KG) *A	
WARM AIR DUCTING	-
MAXIMUM SINGLE DUCTING OUTLET (M)	-
PATENTED BURNER PELLETPOWER®	
ROOM VENTILATION	-
PRIMARY AIR FROM OUTSIDE	-
CO EMISSIONS (MG/M <sup>3</sup> ; 13% OF O <sub>2</sub> ) *A	5.788,0
CO EMISSIONS (MG/M <sup>3</sup> ; 10% OF O <sub>2</sub> ) *A	
DUST EMISSIONS (MG/M <sup>3</sup> ; 13% OF O <sub>2</sub> ) *A	-
DUST EMISSIONS (MG/M <sup>3</sup> ; 10% OF O <sub>2</sub> ) *A	
SILENCE (DB)	-
REMOTE CONTROL	-
RADIO CONTROL WITH ROOM TEMPERATURE THERMOSTAT	-
WEEKLY PROGRAMMER (3 DAILY LIGHTING)	-
«SMART INFO» FUNCTION	-
SYSTEM CIRCULATING PUMP	-
EXPANSION TANK	-
OVER PRESSURE VALVE	-
FLUE GASEXHAUST DIAMETER (MM)	150
MIN. FLUE DRAUGHT PRESSURE (PA)	13
ELECTRIC CONSUMPTION (WATT)	-
HIGH TEMPERATURE SAFETY THERMOSTAT	-

\*A EMISSIONS AND PERFORMANCE DATA MAY CHANGE ACCORDING TO THE FUEL USED. THE VALUES OF PELLET PRODUCTS HAVE BEEN OBTAINED BY USING CERTIFIED FUEL ACCORDING TO EN 14961-2 A1-A2 NORM. WOOD LOGS PRODUCTS VALUES MAY VARY ACCORDING TO THE TYPE AND QUALITY OF THE WOOD LOGS USED.

\*B PROVISIONAL DATA UNDER CERTIFICATION

\*C IMPORTANT: WHEN CALCULATING THE VOLUME OF THE "HEATED AREA" SOME RELEVANT ASPECTS MUST BE CONSIDERED: INSULATION OF THE BUILDING (ENERGY CLASS), POSITION OF THE HEATER, CLIMATIC AREA AND MORE ASPECTS THAT CAN AFFECT THE VALUES OF PERFORMANCE. REPORTED DATA HAVE BEEN CALCULATED ON THE BASE OF ROOF NOT HIGHER THAN 3 MTS.

THE MANUFACTURER RESERVES THE RIGHT TO MAKE CHANGES WITHOUT PREVIOUS NOTICE.

