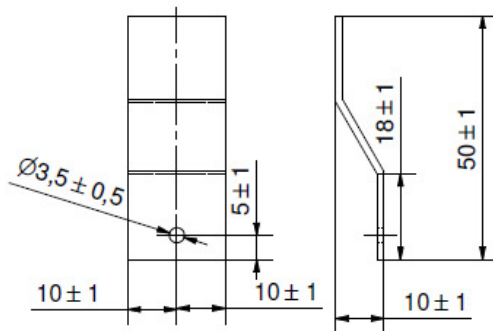



Max operating pressure: 3 bar
 Max operating temperature: +90 °C
 Factory precharge: 1 +/-20% bar
 Nominal volume: 6 Litres
 Colour: Red

Detail 7 Bracket



1	UPPER HEAD	1
2	DOWNER HEAD	1
3	MEMBRANE SBR	1
4	PRECHARGE VALVE	1
5	THREADED NOZZLE	1
6	SELF-ADHESIVE LABEL	1
7	BRACKET	1
Pos.	Denomination	Q.ty

REV	DESCRIZIONE	
0	Preliminary - Issued for construction	
1	Bracket position (was 60°)	
 35010 Limeria (PD) Via del Santo 242 tel.049/884062	DRAWING N°	SCALE
	20013	
Denomination		1300000501
EXPANSION VESSEL 6L		
<small>*: Tolerance variation bigger than 20% do not compromise the expansion vessel functioning</small>		
<small>This drawing is property of company ZILMET s.p.a. All rights reserved.</small>		