

D1
V01
V02

D2
V01
V02

SERVICE MANUAL

EPO.D1
EPO.D2

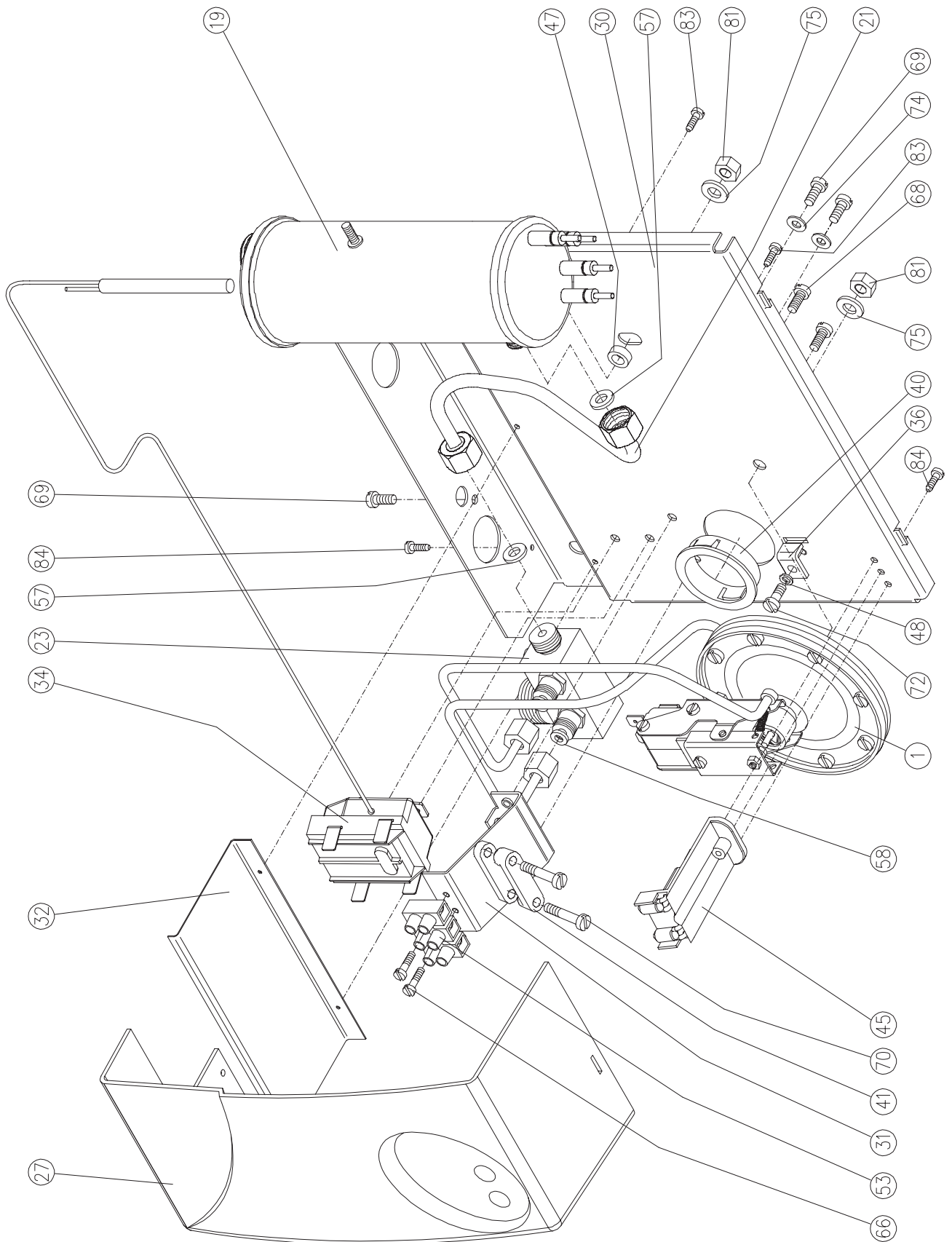
KOSPEL S.A. KOSZALIN ul.Olchowa 1

Contents

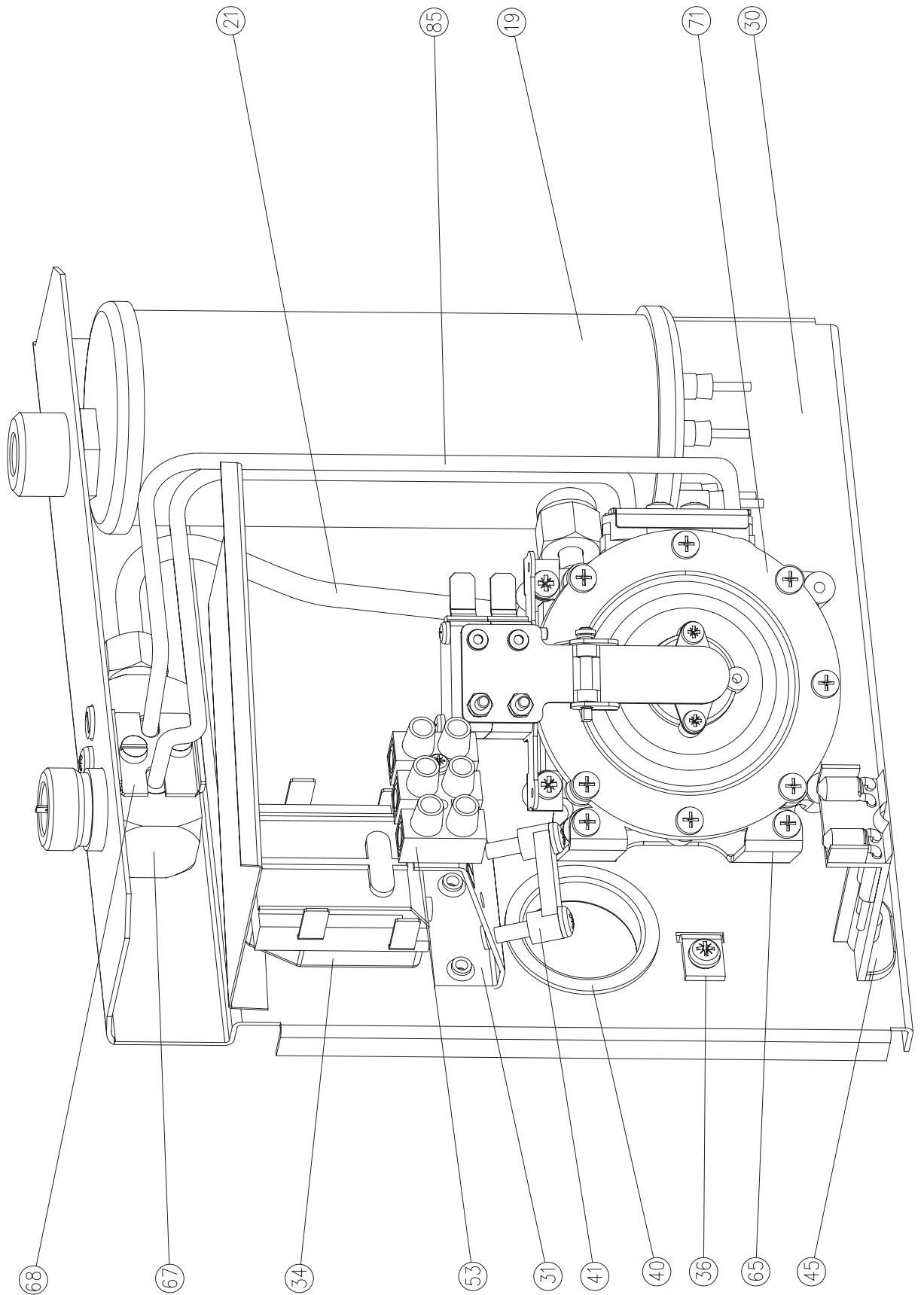
1. Water heater construction	3
<i>D1-01</i>	3
<i>D1-02</i>	4
<i>D1-03</i>	6
2. Differential pressure switch	7
<i>D1-01</i>	7
<i>D1-02</i>	8
3. Flange unit	9
4. Electric diagram	10
5. Technical specification	11
6. Components list	12

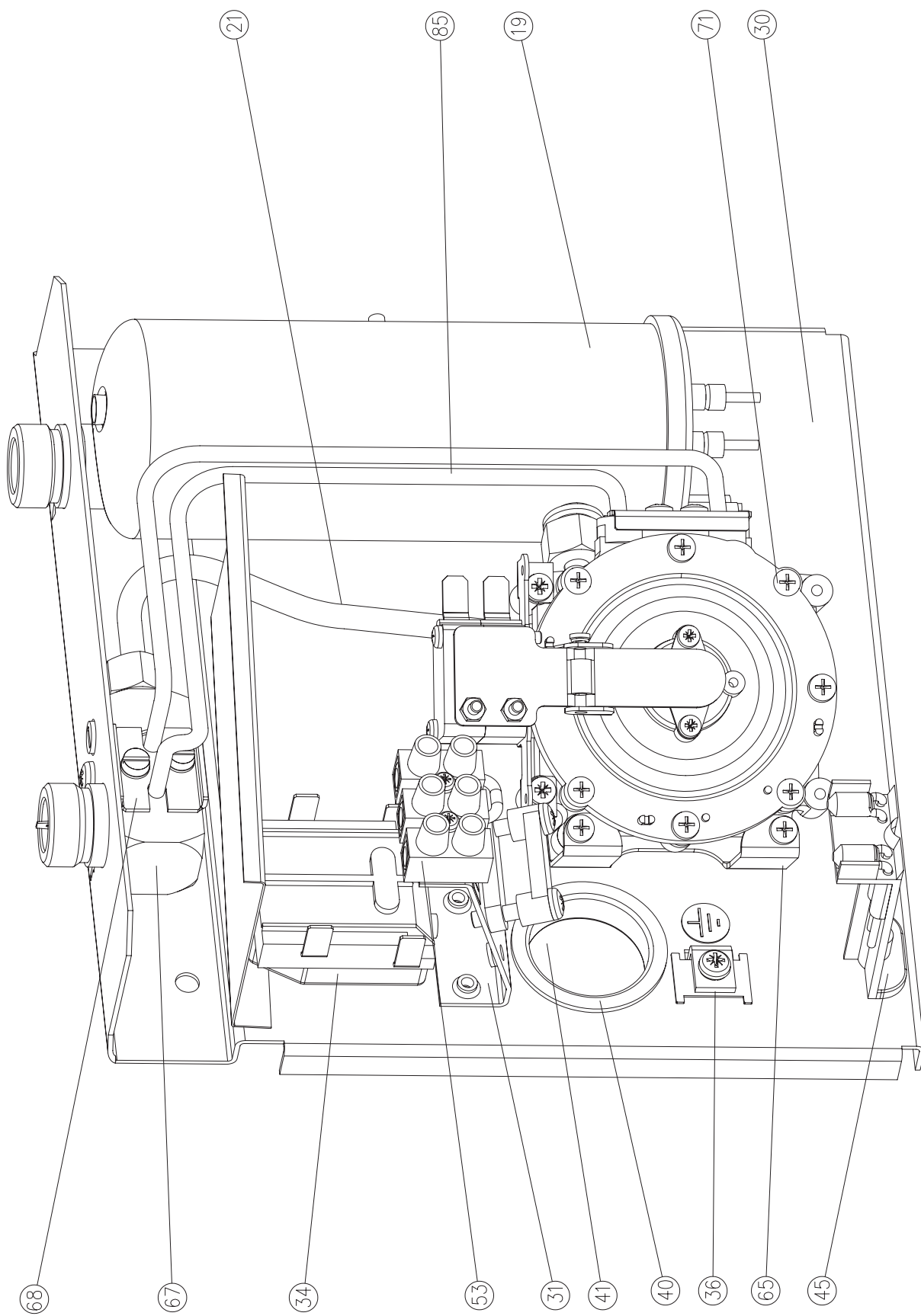
1. Water heater construction

D1-01

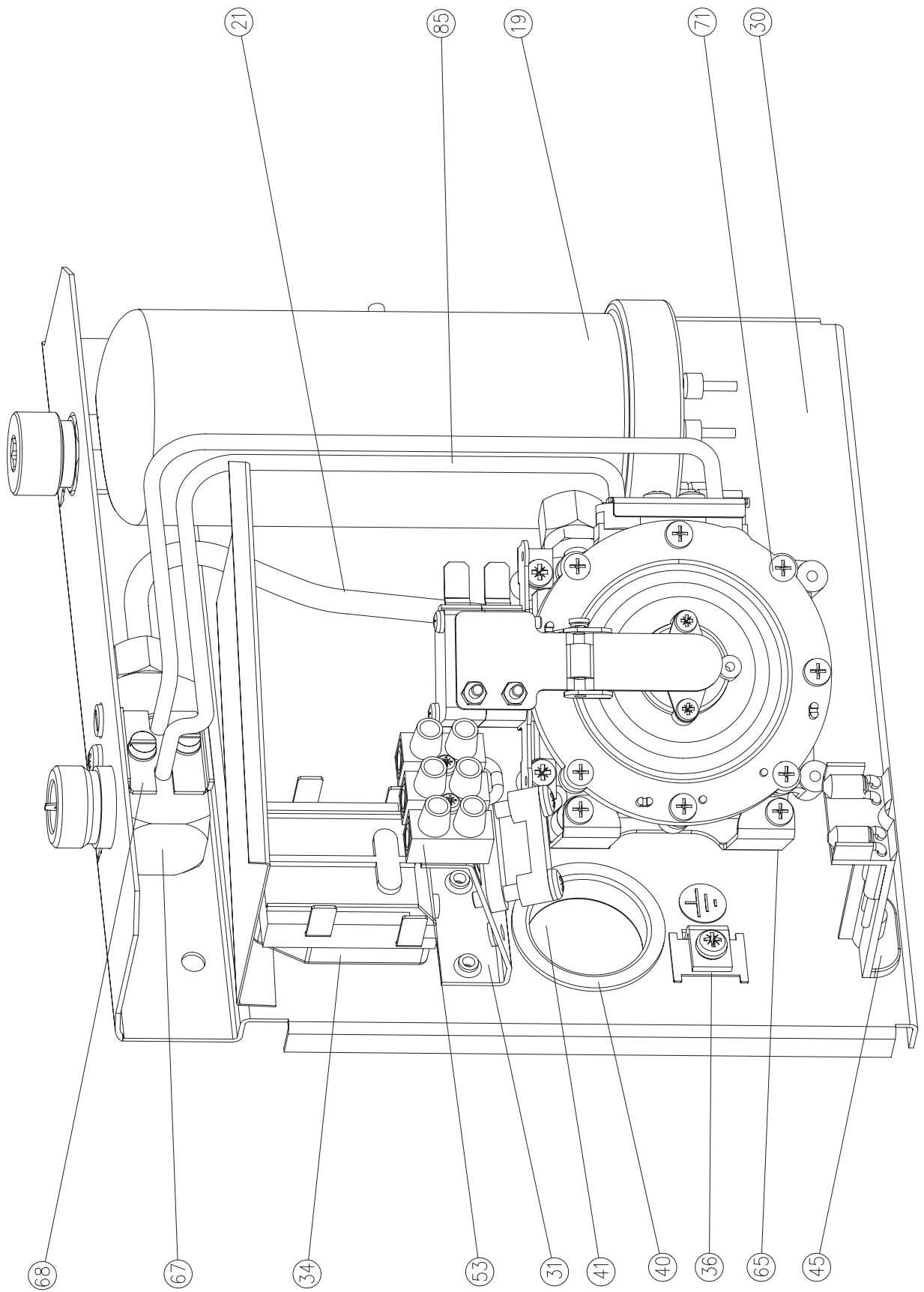


D1-02



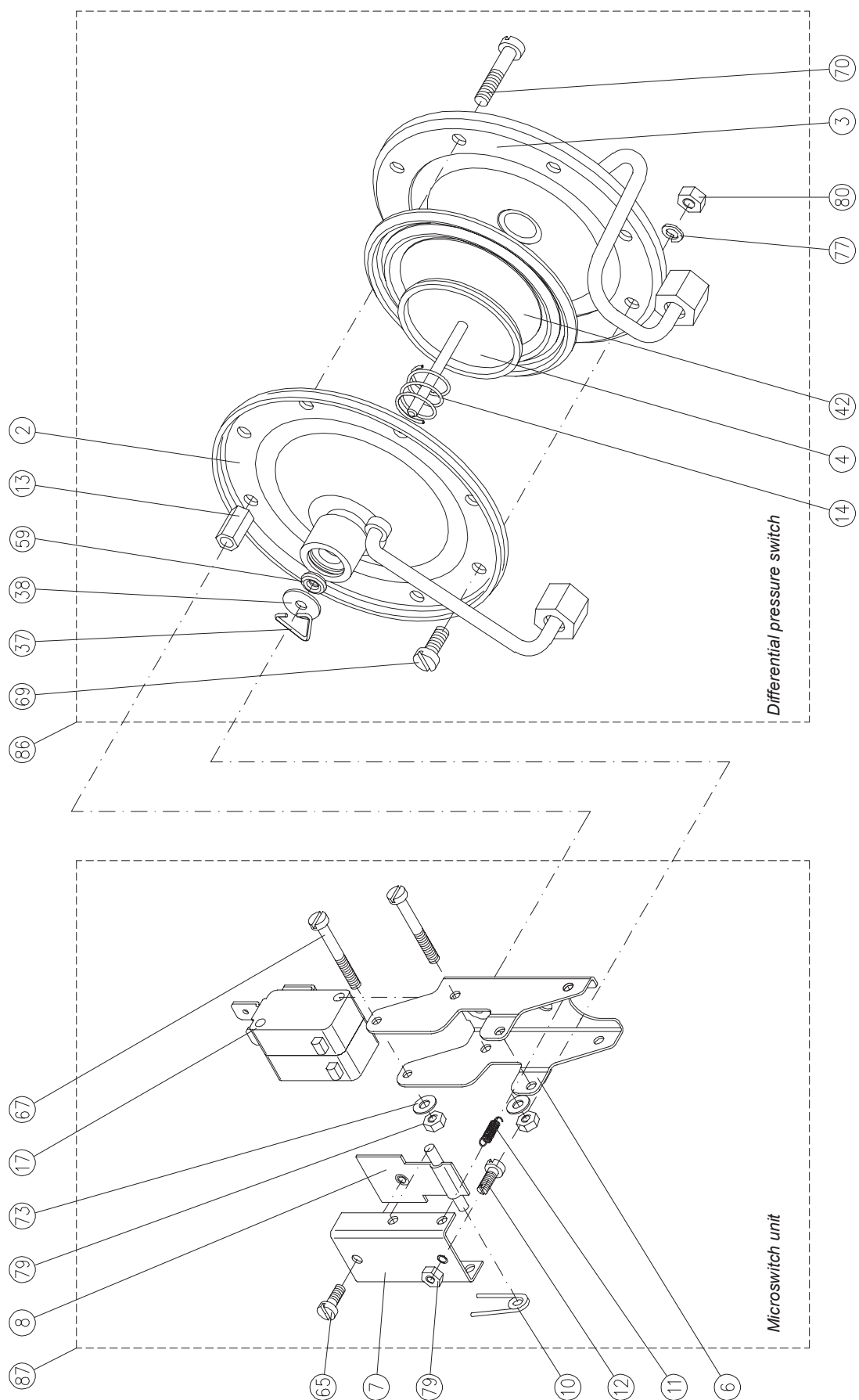


D1-03

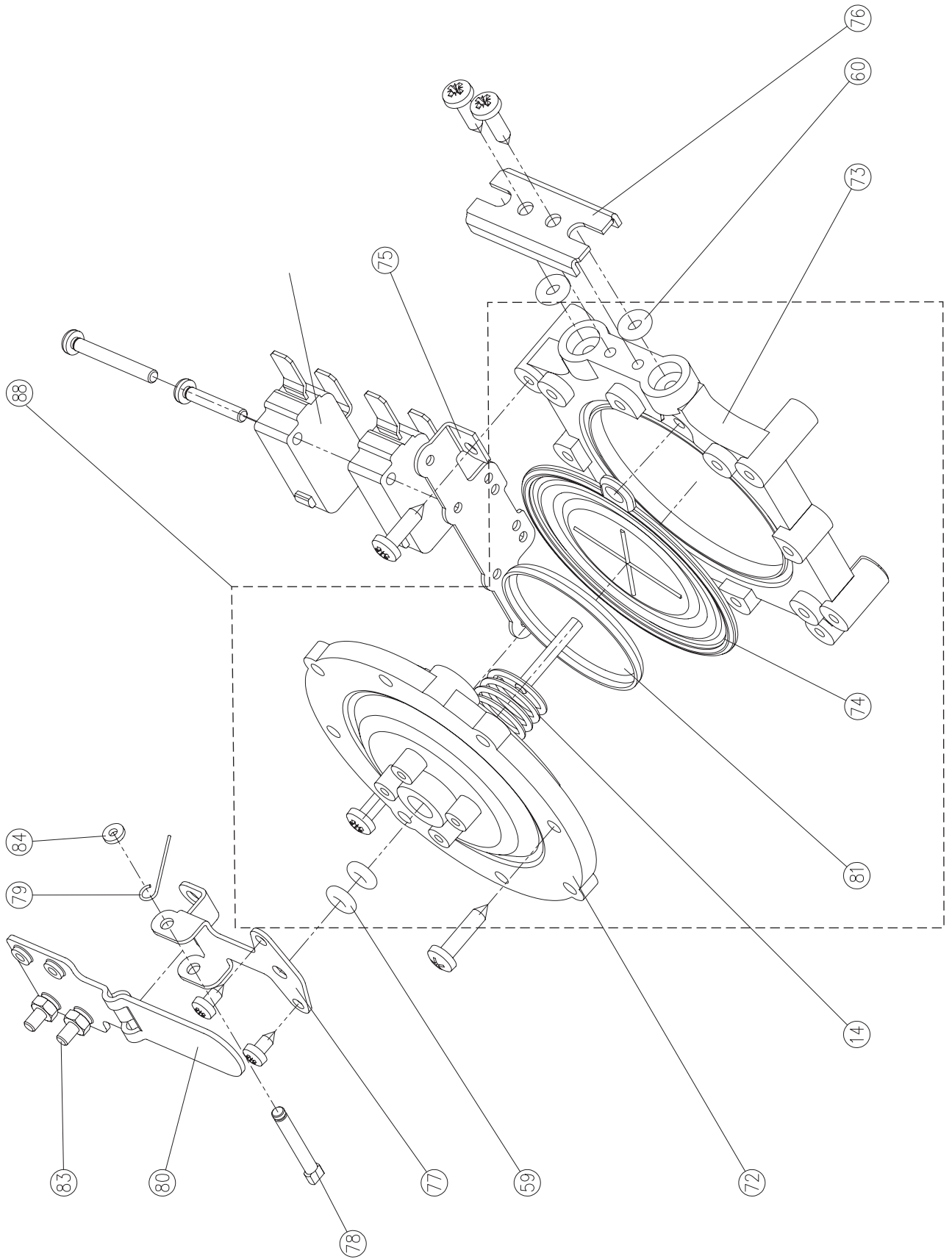


2. Differential pressure switch

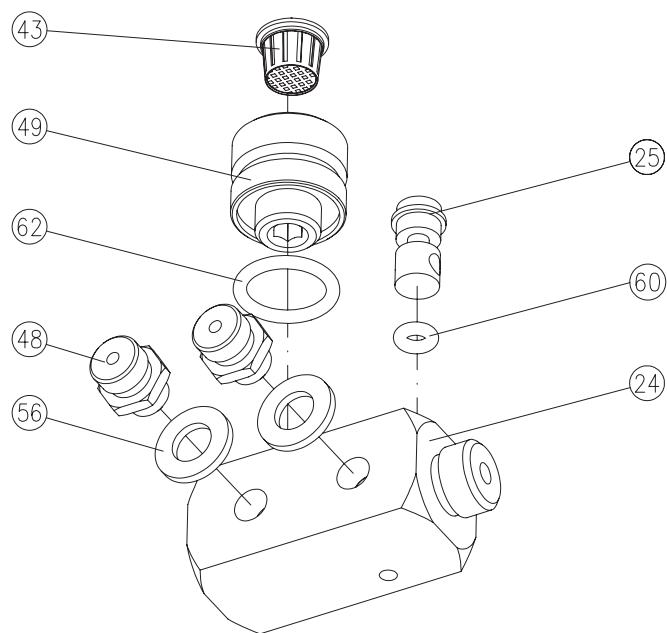
D1-01



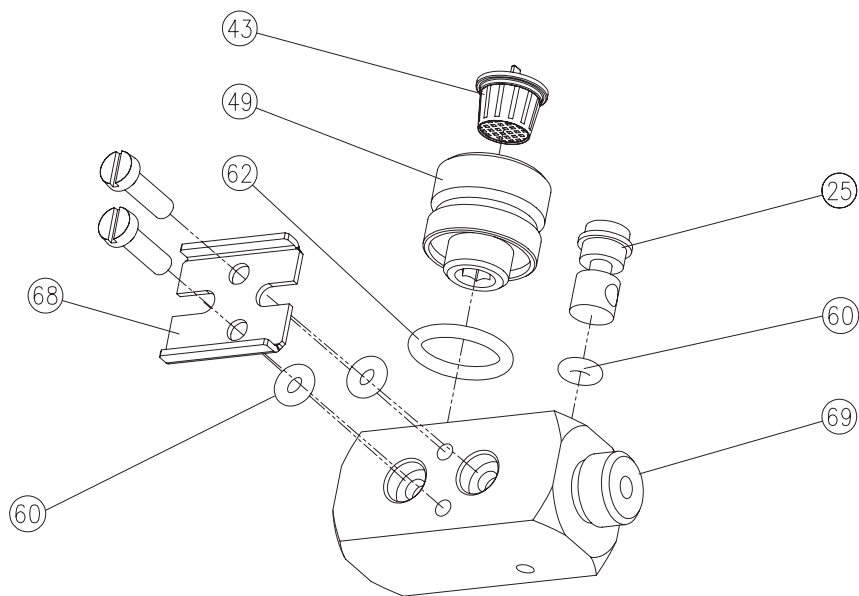
D1-02



3. Flange unit

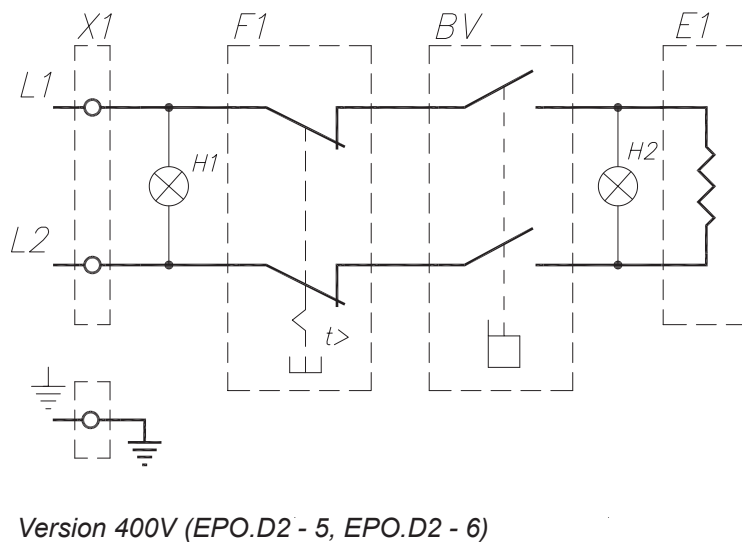
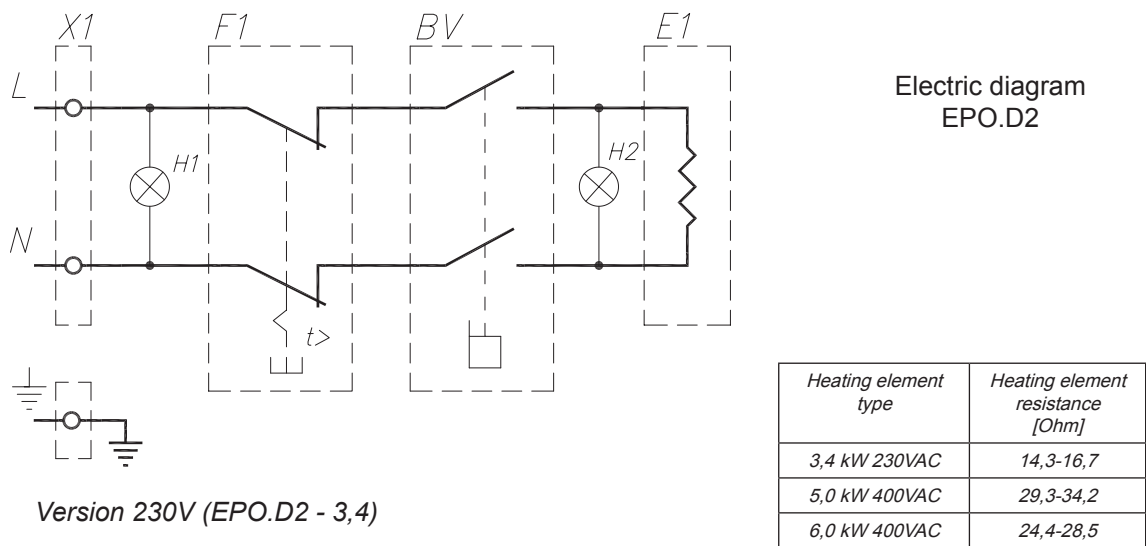
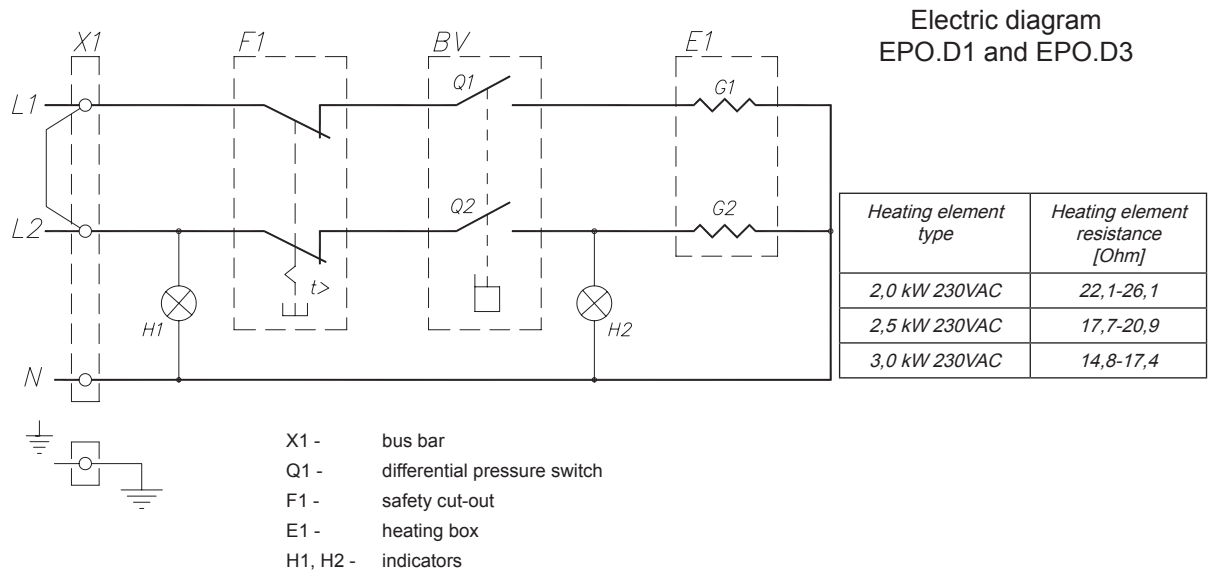


Flange unit EPO.G1-04.00.00d



Flange unit EPO.G1-04.00.00e

4. Electric diagram



5. Technical specification

EPO.D water heater		4	5	6
Rated Power	kW	4	5	6
Power Consumption	kW	2+2	2,5+2,5	3+3
Rated Voltage		230V~ or 400V 2N~		
Rated current	A	17,4 (8,7)*	21,7 (10,9)*	26,1 (13,0)*
Supply Water Pressure	MPa	0,12±0,6		
Switching Point	l/min	1,2	1,5	1,8
Efficiency at $\Delta t = 30^{\circ}\text{C}$	l/min	1,9	2,4	2,9
Overall dimensions	mm	229 x 221x 90		
Weight	kg	~2,4		
Fuse rated current	A	20 (10)*	25 (16)*	32 (16)*
Connecting wires section	mm ²	3 x 2,5 (4 x 2,5)*		3 x 4 (4 x 4)*
Inlet and outlet pipes section		G 1/2"		

6. Components list

Pos.	Service code	Picture no	Description	Unit	Amount	Notice
1	00575	EPO.D1-01.00.00	Differential pressure switch	pcs	1	
2	00320	EPO.D1-01.01.00	Top cover	pcs	1	
3	00204	EPO.D1-01.02.00	Bottom cover	pcs	1	
4	00329	EPO.D1-01.03.00	Retainer	pcs	1	
5						
6	00126	EPO.D-01.05.00	Microswitch braket	pcs	1	
7		EPO.D-01.06.00	Top lever	pcs	1	
8		EPO.D-01.07.00	Bottom lever	pcs	1	
9						
10		EPO.D-01.00.10	Spring	pcs	1	
11		EPO.D-01.00.11	Spring	pcs	1	
12		EPO.D-01.00.12	Screw (M3 x 8-MS-A)	pcs	1	
13		EPO.D-01.00.13	Sleeve	pcs	1	
14	00106	WM-025	Spring	pcs	1	
15						
16						
17	00033	Honeywell	Microswitch V5A030CB3	pcs	2	
18						
19	00166	EPO.D1-02.00.00 EPO.D1-02.00.00b	Heating box version D1-4	pcs	1	for EPO.D1-4
	00167		Heating box version D1-5			for EPO.D1-5
	00168		Heating box version D1-6			for EPO.D1-6
	00501	EPO.D2-02.00.00 EPO.H2-02.00.00b	Heating box version D2-3,4	pcs	1	for EPO.D2-3,4
	00734		Heating box version D2-5			for EPO.D2-5
	00733		Heating box version D2-6			for EPO.D2-6
		EPO.D1-02.00.00c	Heating box version D1-4	pcs	1	D1-03 for EPO.D1-4
			Heating box version D1-5			D1-03 for EPO.D1-5
			Heating box version D1-6			D1-03 for EPO.D1-6
		EPO.D2-02.00.00c	Heating box version D1-3,4	pcs	1	D2-03 for EPO.D2-3,5
	Heating box version D1-5		D2-03 for EPO.D2-5			
	Heating box version D1-6		D2-03 for EPO.D2-6			
20						
21	00102	EPO.D1-03.00.00	Connection set	pcs	1	
22						
23	00188	EPO.G1-04.00.00c	Flange unit 4kW	pcs	1	
	00332		Flange unit 5kW			
	00333		Flange unit 6kW			
24		EPO.G1-04.00.01	Body	pcs	1	
25		EPO.U-04.00.02	Flow limiter	pcs	1	
26						
27	00047	EPO.G1-00.00.01	Casing	pcs	1	
28						
29						
30	00078	EPO.D1-00.00.11	Back base	pcs	1	D1-01
		EPO.D1-00.00.11a	Back base			D1-02
		EPO.D2-00.00.11	Back base			D2-01
		EPO.D2-00.00.11a	Back base			D2-02
31		EPO.G1-00.00.12	Support	pcs	1	
32		EPO.D1-00.00.14	Tray	pcs	1	
33						
34	00057	FACH S.A. CIESZYN	OTK-1/0143-0012 safety cut-out	pcs	1	D1-01; D2-01
	00236	METRA BLANSKO	KNTP 8823.02K safety cut-out	pcs	1	D1-01; D1-02; D2-01; D2-02
35						
36		WM-002	Neutral pin	pcs	1	
37		WM-003	Spring washer	pcs	1	
38		WM-006	Washer =0,8 x 3,4 x 11,4	pcs	1	

39						
40		WP-002	Fair lead	pcs	1	do EPO.D1
			Gland BDe16			do EPO.D2
41		WP-003	Wire handle	pcs	1+1	
42	00037	WP-012	Diaphragm	pcs	1	
43	00245	WP-017	Filter 1/2"	pcs	1	
44						
45	00330	WE-002/02	Indicators set	pcs	1	
46						
47		Z-051	Sleeve	pcs	1	
48		Z-068	Pipe connection M10 x 1	pcs	2	
49	00331	Z-070	Pipe connection G1/2"	pcs	1	
50						
51						
52	00254		Gasket 3,5 x 18,2 x 11,7	pcs	2	
53	00334	TELEKOM-SIMET	Thread joint type.3.1.12.(3/12)	pcs	1	
54						
55						
56	00335		Gasket 1,5 x 14,4 x 8	pcs	2	Polonit FA-300
57	00297		Gasket 1,5 x 11 x 5,5	pcs	2	Polonit FA-300
58	00336		Gasket 1,5 x 8,4 x 4	pcs	2	Polonit FA-300
59	00045	PN-60/M-86961	O-ring seal 3 x 2,4	pcs	2	70A
60	00337	PN-60/M-86961	O-ring seal 3,3 x 2,4	pcs	5	70A
61						
62	00338	PN-60/M-86961	O-ring seal 14,3 X 2,4	pcs	1	70A
63						
64						
65		EPO.D1-00.00.15	Mount ZW	pcs	1	D1-02; D2-02
66						
67	00739	EPO.G1-04.00.00e	Flange unit (1,8) D	pcs	1	D1-02; D2-02 3,4kW
	00740		Flange unit (1,9) E			D1-02; D2-02 4,4kW
	00741		Flange unit (2,2) H			D1-02; D2-02 5kW
	00742		Flange unit (2,3) J			D1-02; D2-02 6kW
68		EPO.U-04.00.05	Clamp	pcs	1	
69		EPO.G1-04.00.01e	Body	pcs	1	
70						
71	00577	ZW.04-00.00	Differential pressure switch	pcs	1	
72	00385	WP-023	Top cover	pcs	1	
73	00386	WP-022	Bottom cover	pcs	1	
74	00387	WP-024	Diaphragm	pcs	1	
75		WM-018	Microswitch bracket	pcs	1	
76		WM-019	Bracket	pcs	1	
77		WM-020	Lever support	pcs	1	
78		WM-023	Lever pivot	pcs	1	
79		WM-028	Spring	pcs	1	
80		WM-022	Fin	pcs	1	
81	00388	WM-031	Retainer	pcs	1	
82		EPO.U-04.00.05	Clamp	pcs	1	
83			Screw	pcs	2	
84			Spring plate 2,3	pcs	1	
85		WM-024	Pipe Ø 4 x 1	pcs	2	
86	00321	EPO.D1-01.01s	Differential pressure switch	pcs	1	
87	00193	EPO.D-01.02s	Microswitch unit	pcs	1	
88	00399	ZN.01-00.00	Differential pressure switch	pcs	1	
89						
90						
91		EPO.D1-03.00.00a	Connection	pcs	1	01-03, D2-03