

G1
V01
V02

H2
V01
V02

SERVICE MANUAL

EPO.G1
EPO.H2

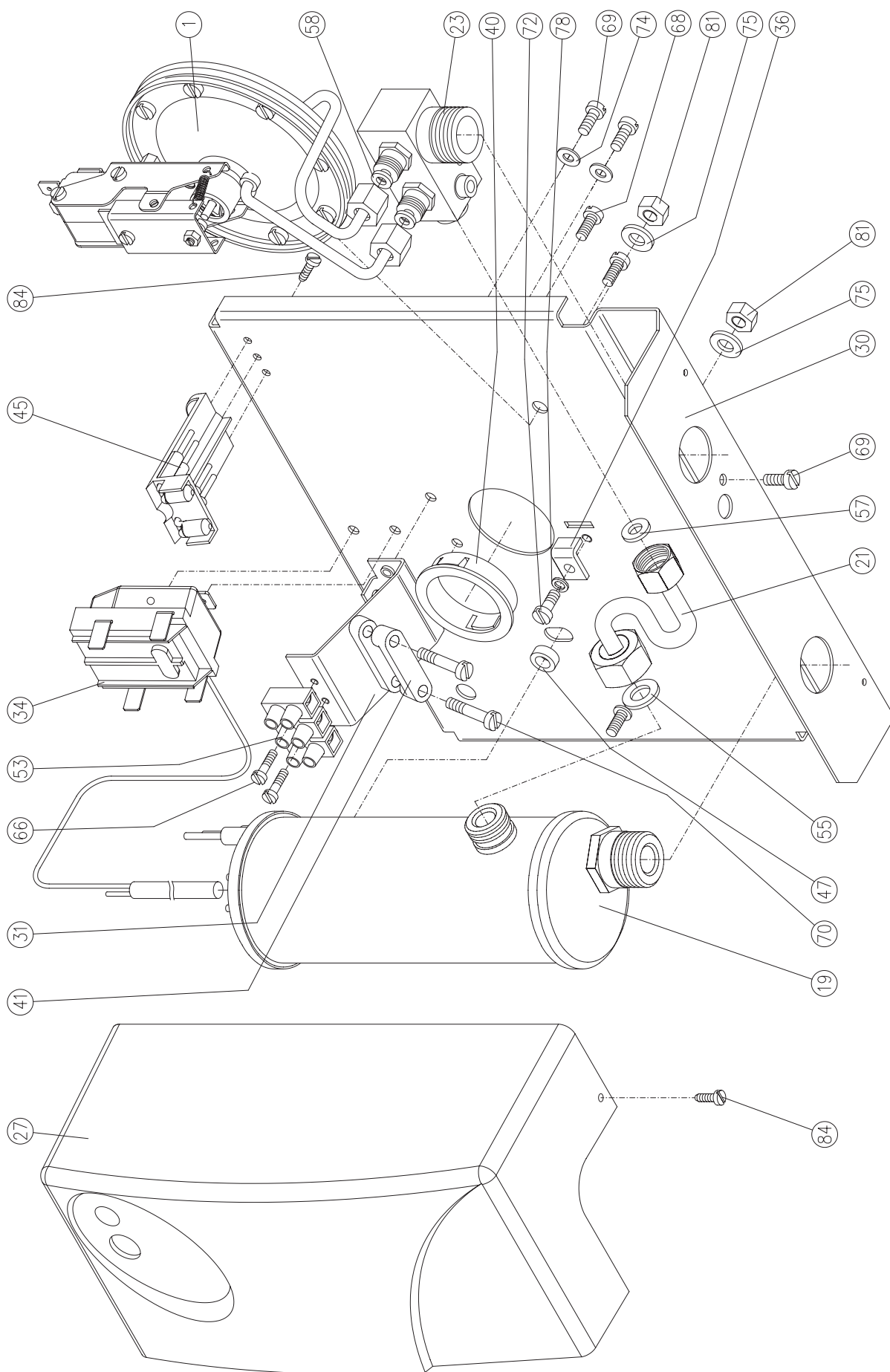
KOSPEL S.A. KOSZALIN ul.Olchowa 1

Contents

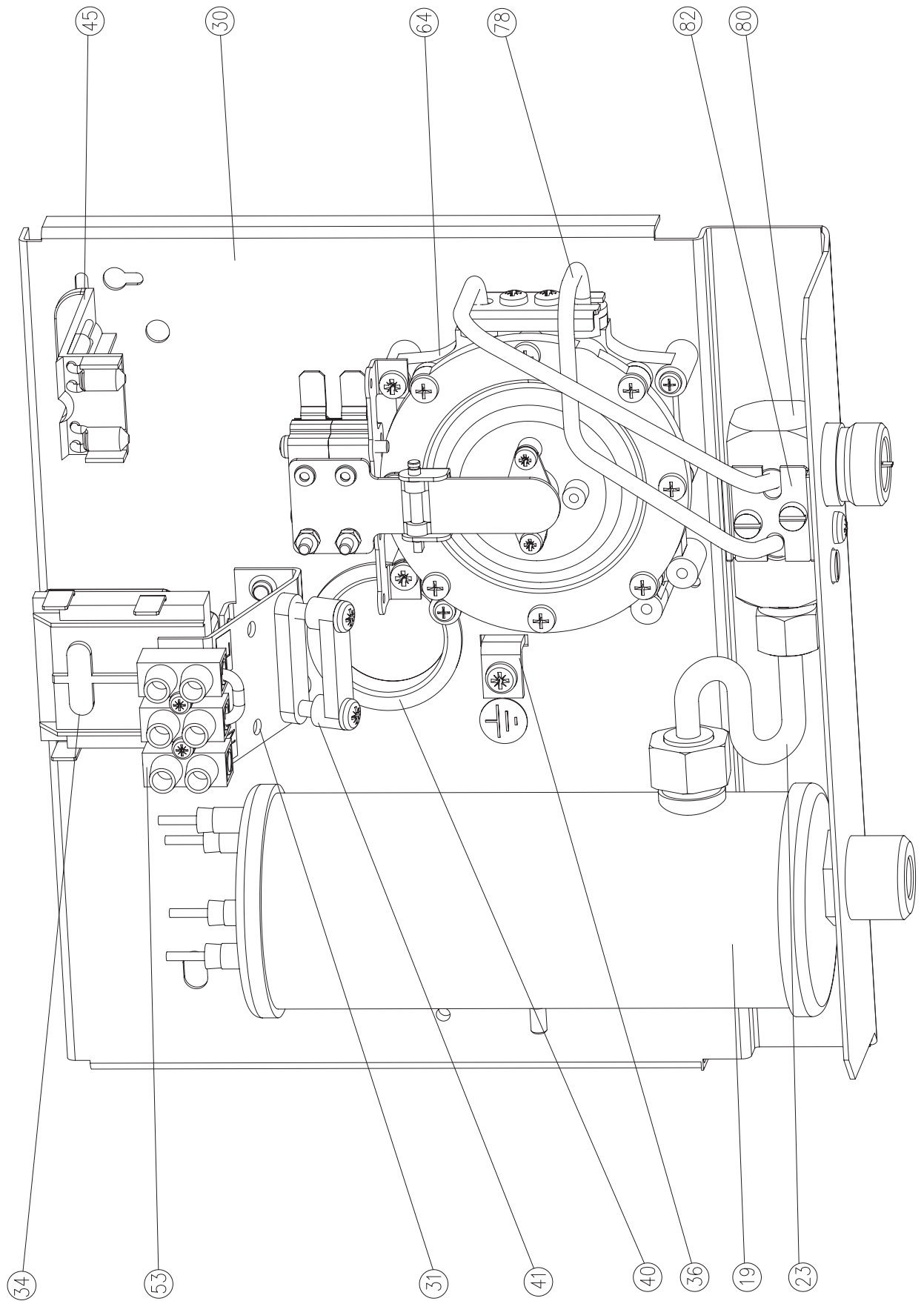
1. Water heater construction	3
G1-01	3
G1-02	4
G1-03	6
2. Differential pressure switch	7
G1-01	7
G1-02	8
3. Flange unit	9
4. Electric diagram	10
5. Technical specification	11
6. Components list	12

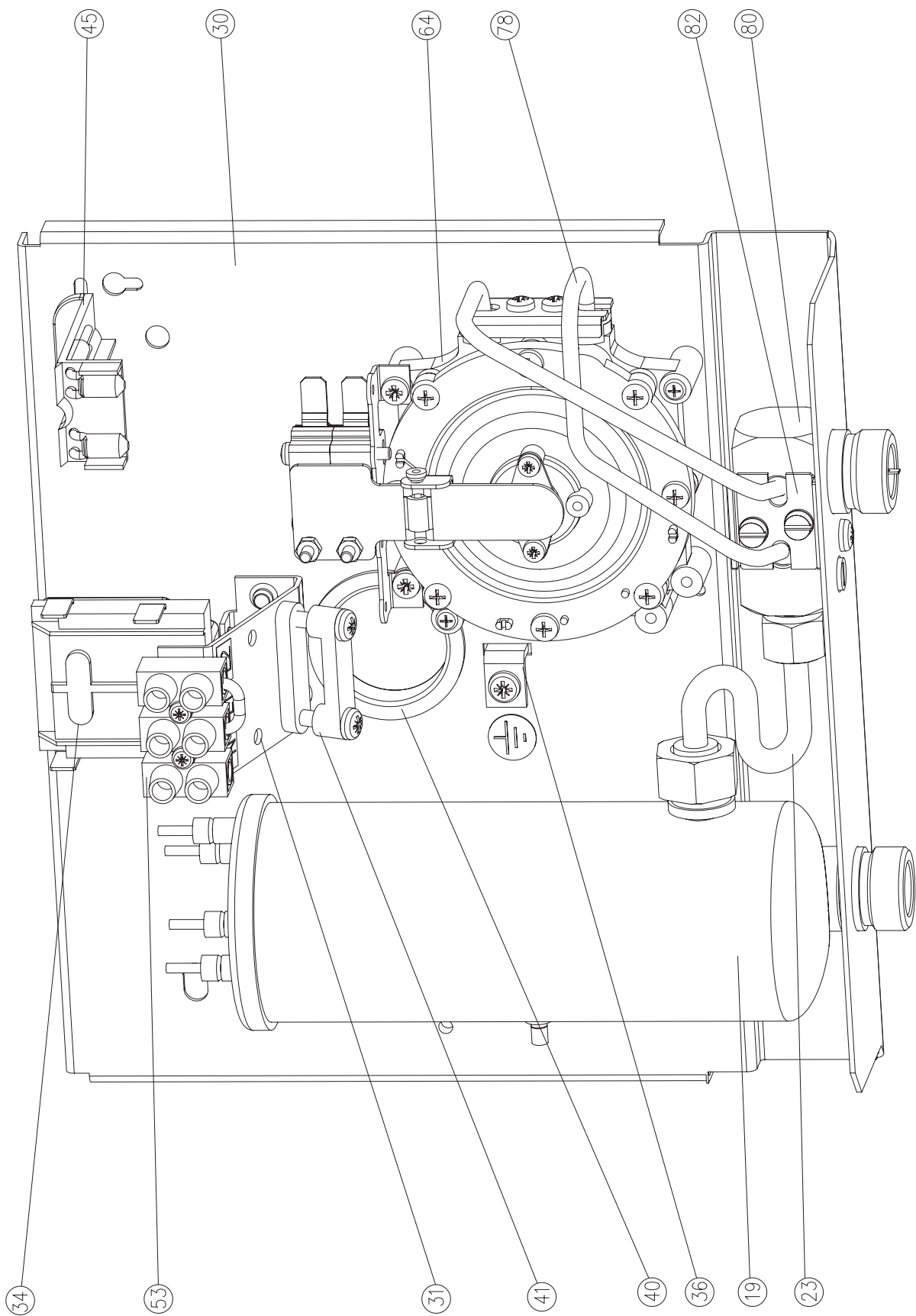
1. Water heater construction

G1-01

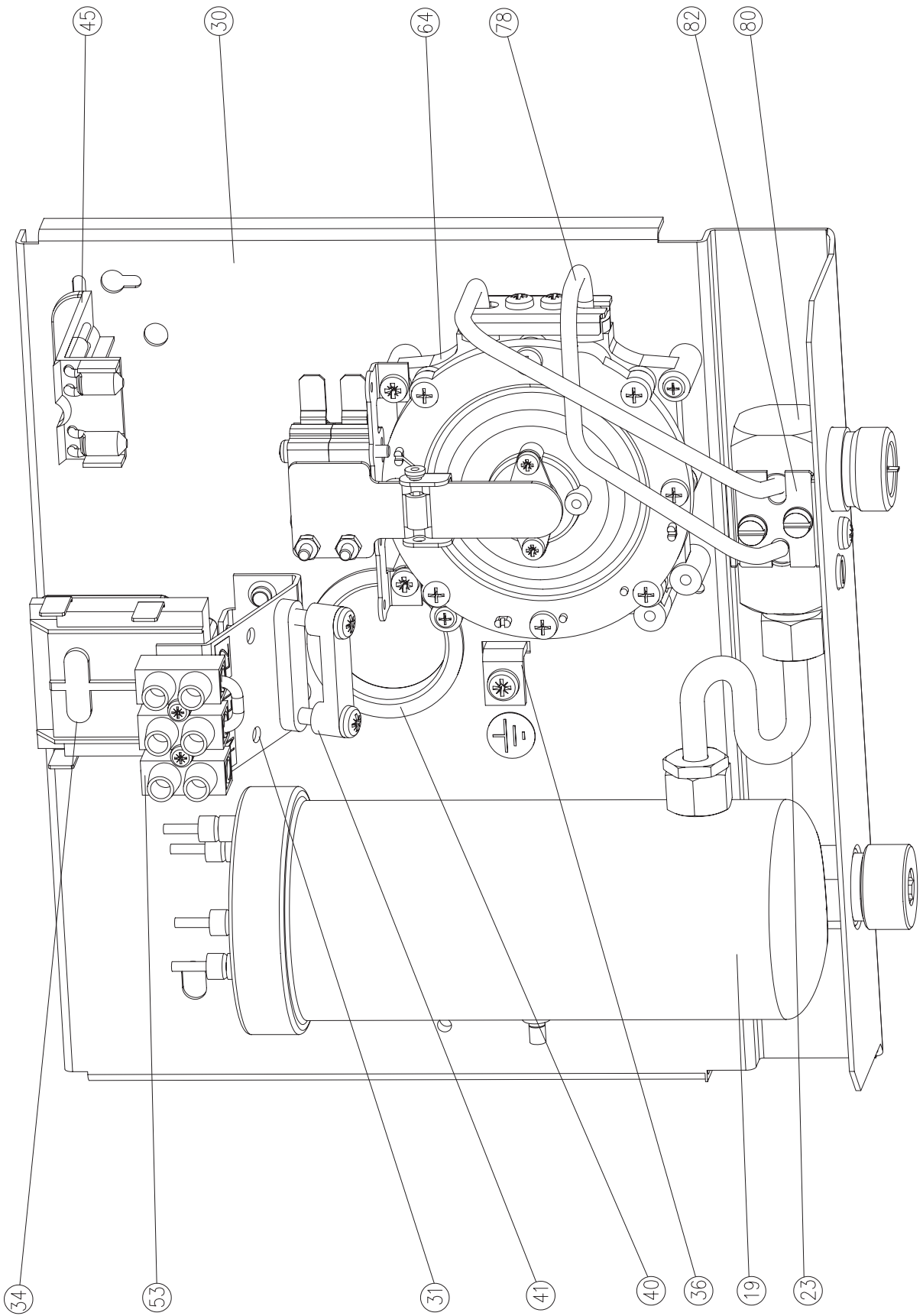


G1-02



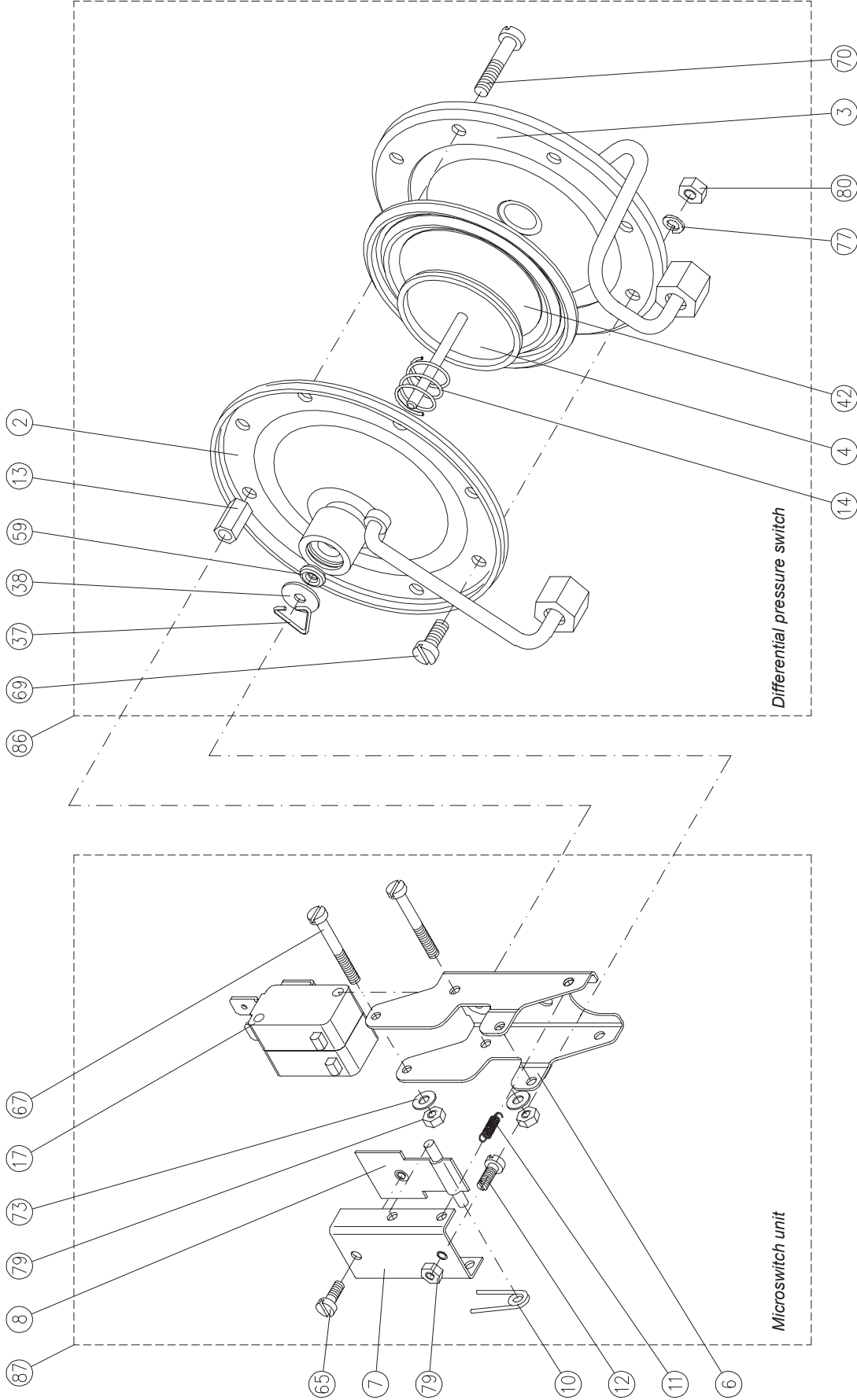


G1-03

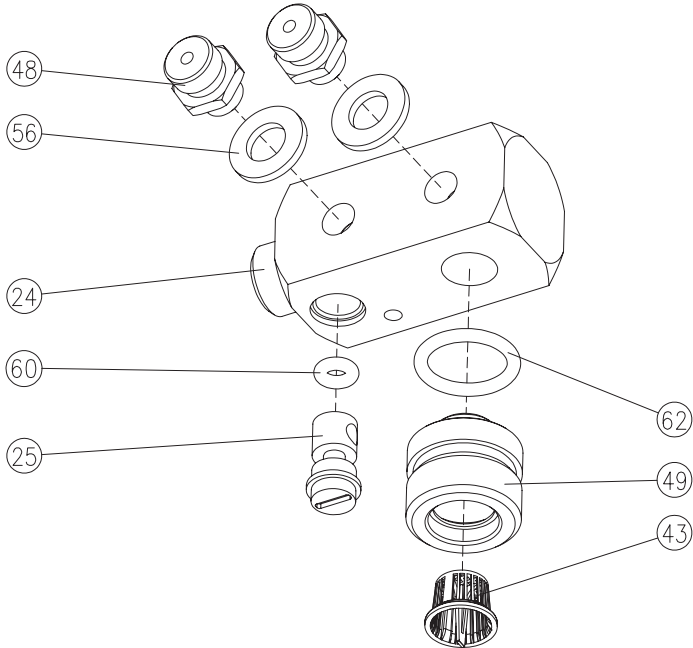


2. Differential pressure switch

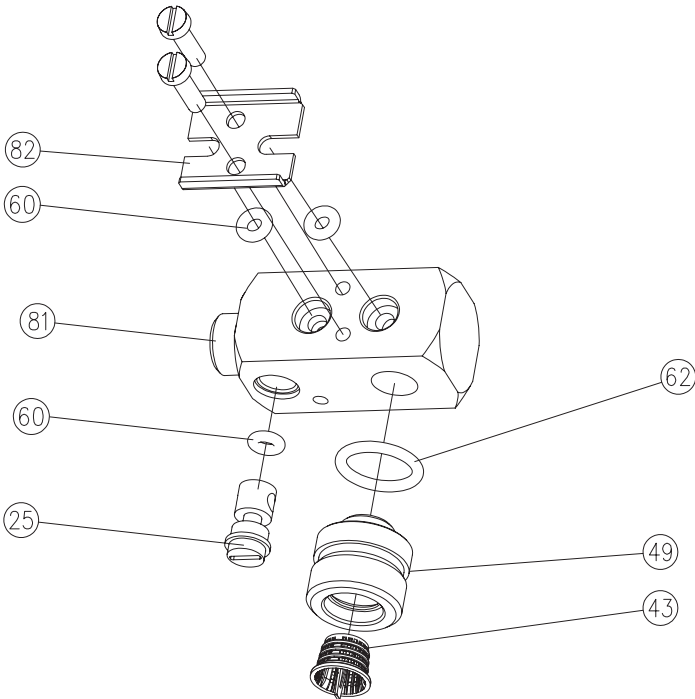
G1-01



3. Flange unit



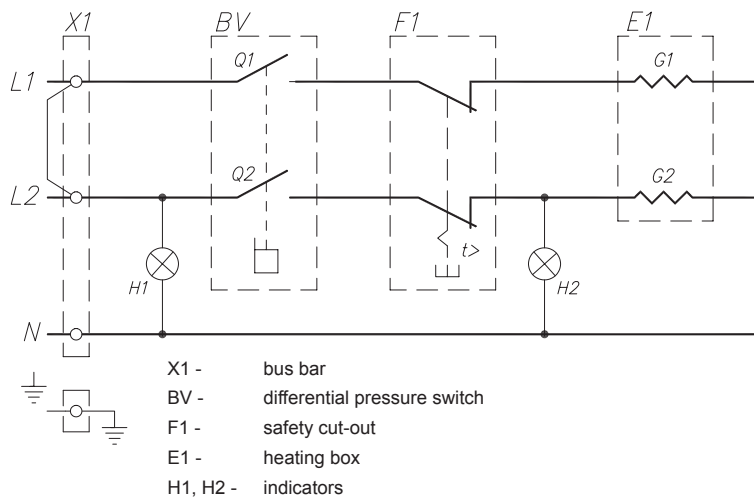
Flange unit EPO.G1-04.00.00d



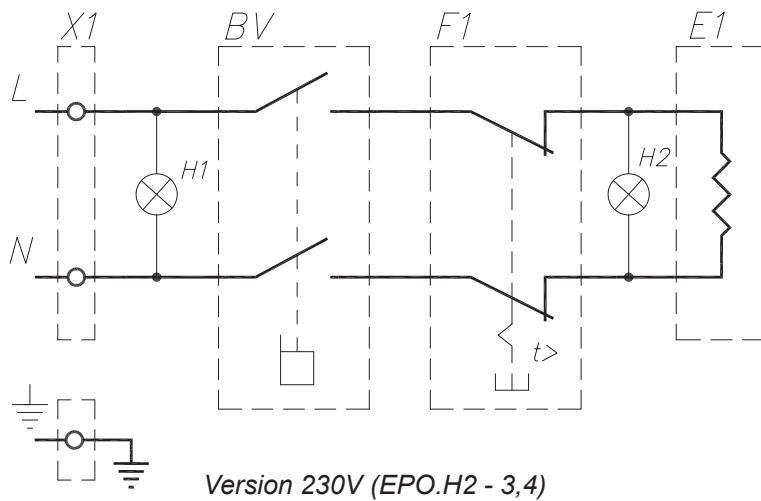
Flange unit EPO.G1-04.00.00e

4. Electric diagram

Electric diagram
EPO.G1 and EPO.H3

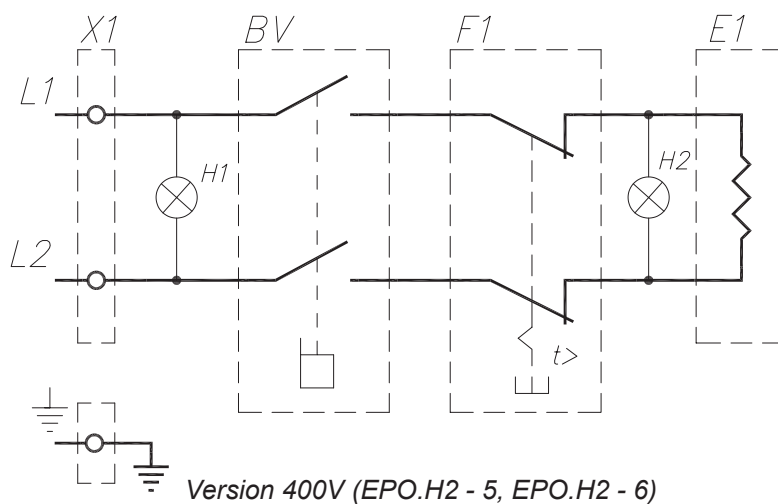


Heating element type	Heating element resistance [Ohm]
2,0 kW 230VAC	22,1-26,1
2,5 kW 230VAC	17,7-20,9
3,0 kW 230VAC	14,8-17,4



Electric diagram
EPO.H2

Heating element type	Heating element resistance [Ohm]
3,4 kW 230VAC	14,3-16,7
5,0 kW 400VAC	29,3-34,2
6,0 kW 400VAC	24,4-28,5



5. Technical specification

EPO.G water heater		4	5	6
Rated Power	kW	4	5	6
Power Consumption	kW	2+2	2,5+2,5	3+3
Rated Voltage		230V~ or 400V 2N~		
Rated current	A	17,4 (8,7)*	21,7 (10,9)*	26,1 (13,0)*
Supply Water Pressure	MPa	0,12±0,6		
Switching Point	l/min	1,2	1,5	1,8
Efficiency at $\Delta t = 30^{\circ}\text{C}$	l/min	1,9	2,4	2,9
Overall dimensions	mm	229 x 221x 90		
Weight	kg	~2,4		
Fuse rated current	A	20 (10)*	25 (16)*	32 (16)*
Connecting wires section	mm ²	3 x 2,5 (4 x 2,5)*		3 x 4 (4 x 4)*
Inlet and outlet pipes section		G 1/2"		

6. Components list

Pos.	Service code	Picture no	Description	Unit.	Amount	Notice
1		EPO.G1-01.00.00	Differential pressure switch	pcs	1	
2	00320	EPO.G1-01.01.00	Top cover	pcs	1	
3	00204	EPO.G1-01.02.00	Bottom cover	pcs	1	
4	00329	EPO.G1-01.03.00	Retainer	pcs	1	
5						
6	00126	EPO.D-01.05.00	Microswitch braket	pcs	1	
7		EPO.D-01.06.00	Top lever	pcs	1	
8		EPO.D-01.07.00	Bottom lever	pcs	1	
9						
10		EPO.D-01.00.10	Spring	pcs	1	
11		EPO.D-01.00.11	Spring	pcs	1	
12		EPO.D-01.00.12	Screw (M3 x 8-Ms-A)	pcs	1	
13		EPO.D-01.00.13	Sleeve	pcs	1	
14	00106	WM-025	Spring	pcs	1	
15						
16						
17	00033	Honeywell	Microswitch V5A030CB3	pcs	2	
18						
19	00169	EPO.G1-02.00.00 EPO.G1-02.00.00b	Heating box version G1-4	pcs	1	for EPO.G1-4
	00170		Heating box version G1-5			for EPO.G1-5
	00171		Heating box version G1-6			for EPO.G1-6
	00736	EPO.H2-02.00.00 EPO.H2-02.00.00b	Heating box version H2-3,4	pcs	1	for EPO.H2-3,4
	00737		Heating box version H2-5			for EPO.H2-5
	00738		Heating box version H2-6			for EPO.H2-6
		EPO.G1-02.00.00c	Heating box version G1-4	pcs	1	G1-03 for EPO.G1-4
			Heating box version G1-4			G1-03 for EPO.G1-5
			Heating box version G1-6			G1-03 for EPO.G1-6
		EPO.H202.00.00c	Heating box version H1-3,4	pcs	1	H2-03 for EPO.H2-3,4
	Heating box version H1-5		H2-03 for EPO.H2-5			
	Heating box version H1-6		H2-03 for EPO.H2-6			
20						
21	00342	EPO.G1-03.00.00	Connection set	pcs	1	
22						
23	00188	EPO.G1-04.00.00c	Flange unit 4kW	pcs	1	
	00332		Flange unit 5kW			
	00333		Flange unit 6kW			
24		EPO.G1-04.00.01	Body	pcs	1	
25		EPO.G1-04.00.02	Flow limiter	pcs	1	
26						
27	00345	EPO.G1-00.00.01	Casing	pcs	1	
28						
29						
30	00343	EPO.G1-00.00.11	Back base	pcs	1	for EPO.G1
		EPO.H2-00.00.11	Back base			for EPO.H2
31		EPO.G1-00.00.12	Support	pcs	1	
32						
33						
34	00057	FACH S.A. CIESZYN	OTK-1/0143-0012 safety cut-out	pcs	1	used interchangeably
	00236	METRA BLANSKO	KNTP 8823.02K safety cut-out	pcs	1	
35						
36		WM-002	Neutral pin	pcs	1	
37		WM-003	Spring washer	pcs	1	
38		WM-006	Washer =0,8 x 3,4 x 11,4	pcs	1	
39						

40		WP-002	Fair lead	pcs	1	for EPO.G1
			Gland BDe16			for EPO.H2
41		WP-003	Wire handler	pcs	1+1	
42	00037	WP-012	Diaphragm	pcs	1	
43	00245	WP-017	Filter 1/2"	pcs	1	
44						
45	00330	WE-002/02	Indicators set	pcs	1	
46						
47		Z-051	Sleeve	pcs	1	
48		Z-068	Pipe connection M10 x 1	pcs	2	
49	00331	Z-070	Pipe connection G1/2"	pcs	1	
50						
51						
52	00254		Gasket 3,5 x 18,2 x 11,7	pcs	2	
53	00334	TELEKOM-SIMET	Thread connection type.3.1.12.(3/12)	pcs	1	
54						
55	00340		Gasket 1,5 x 14,4 x 10,1	pcs	1	
56	00335		Gasket 1,5 x 14,4 x 8	pcs	2	Polonit FA-300
57	00297		Gasket 1,5 x 11 x 5,5	pcs	1	Polonit FA-300
58	00336		Gasket 1,5 x 8,4 x 4	pcs	2	Polonit FA-300
59	00045	PN-60/M-86961	O-ring seal 3 x 2,4	pcs	2	70A
60	00337	PN-60/M-86961	O-ring seal 3,3 x 2,4	pcs	5	70A
61						
62	00338	PN-60/M-86961	O-ring seal 14,3x2,4	pcs	1	70A
63						
64	00577	ZW.04-00.00	Differential pressure switch	pcs	1	G1-02; H2-02
65	00386	WP-022	Bottom cover	pcs	1	
66	00385	WP-023	Top cover	pcs	1	
67	00387	WP-024	Diaphragm	pcs	1	
68		WM-018	Microswitch bracket	pcs	2	
69	00388	WM-031	Retainer	pcs	1	
70		WM-020	Lever support	pcs	1	
71		WM-021	Fin	pcs	1	
72						
73		WM-023	Lever pivot	pcs	1	
74		WM-028	Spring	pcs	1	
75		PN-84/M-85112	Spring plate 2,3	pcs	1	
76		WM-019	Clamp	pcs	1	
77		EPO.G1	Screw	pcs	2	
78		WM-024	Pipe Ø4 x 1	pcs	2	
79						
80	00739	EPO.G1-04.00.00e	Flange unit (1,8) D	pcs	1	G1-02, H2-02 3,4kW
	00740		Flange unit (1,9) E			G1-02, G2-02 4kW
	00741		Flange unit (2,2) H			G1-02, G2-02 5kW
	00742		Flange unit (2,3) J			G1-02, G2-02 6kW
81		EPO.G1-04.00.01e	Body	pcs	1	
82		EPO.U-04.00.05	Clamp	pcs	1	
83						
84						
85						
86	00323	EPO.G1-01.01s	Differential pressure switch	pcs	1	
87	00193	EPO.D-01.02s	Microswitch unit	pcs	1	
88	00399	ZN.01-00.00	Differential pressure switch	pcs	1	
89						
90						
91		EPO.G1-03.00.00a	Connection	pcs	1	