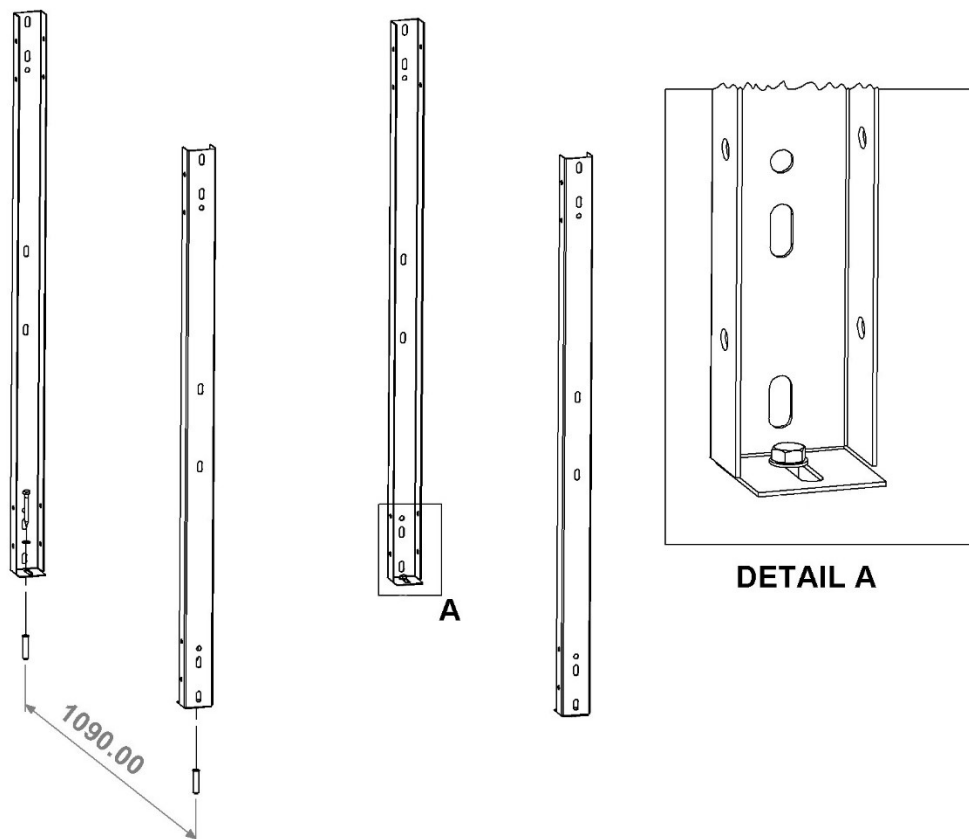


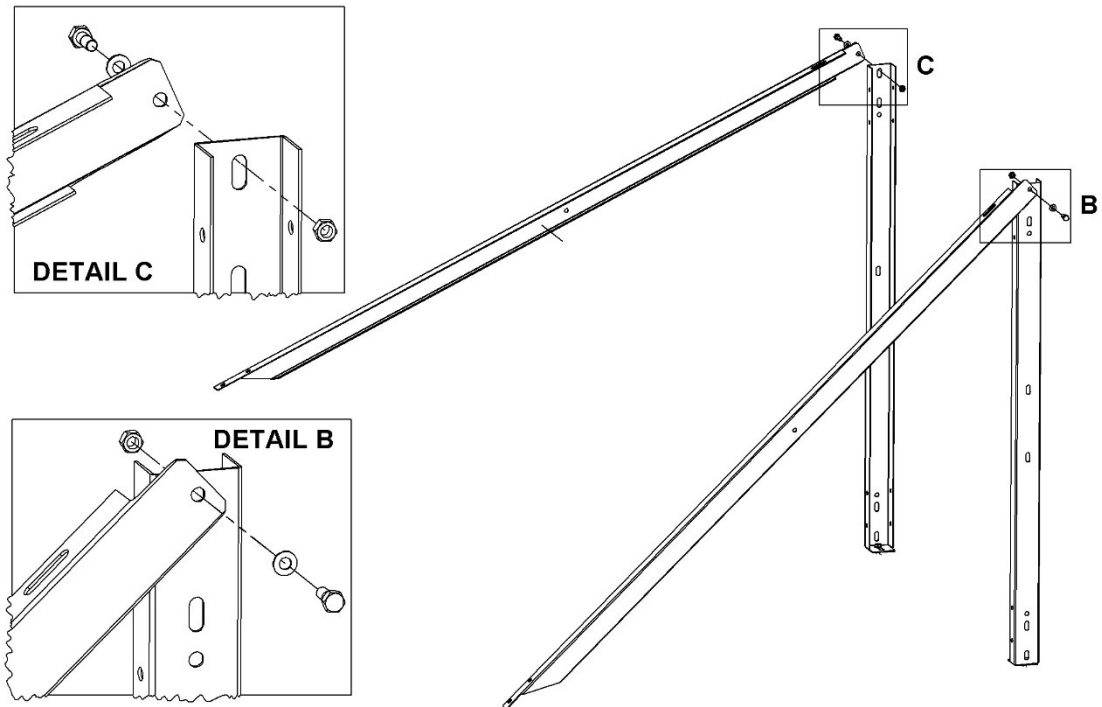
Collector type	Flat roof support description	Flat roof support Code	
VISION 2.0	B45-1 (P2.0/195ES/VTS)	35IS0241	800200450
VISION 2.5	B45-1 (P2.5/200ES/250ES)	35IS0206	800200451
2 x VISION 2.0	B45-2 (P2.0)	35IS0267	80000465
2 x VISION 2.5	B45-2 (P2.5)	35IS0268	80000462

IX) INSTALLATION OF SINGLE STAND ALONE COLLECTOR SYSTEM ON A FLAT ROOF



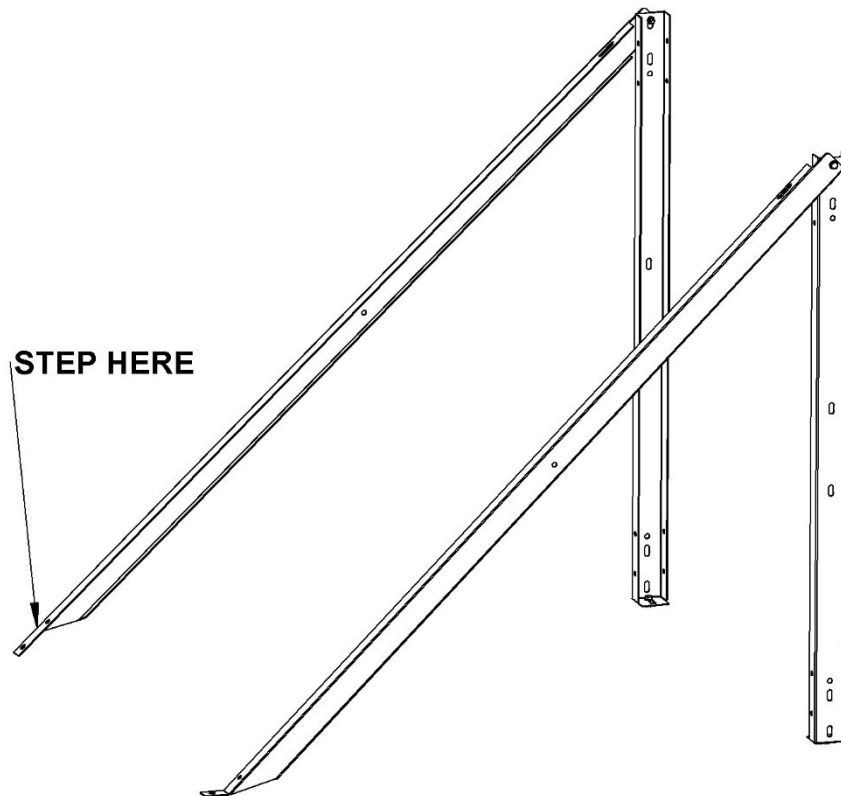
STEP 1

Install the two pillars at the correct distance as shown in the picture above. Follow the guidelines that have been outlined in previous sections concerning positioning, orientation and fixing on the roof. Make sure that the bolts are positioned in the slots at the bottom of the pillars as shown in DETAIL A.



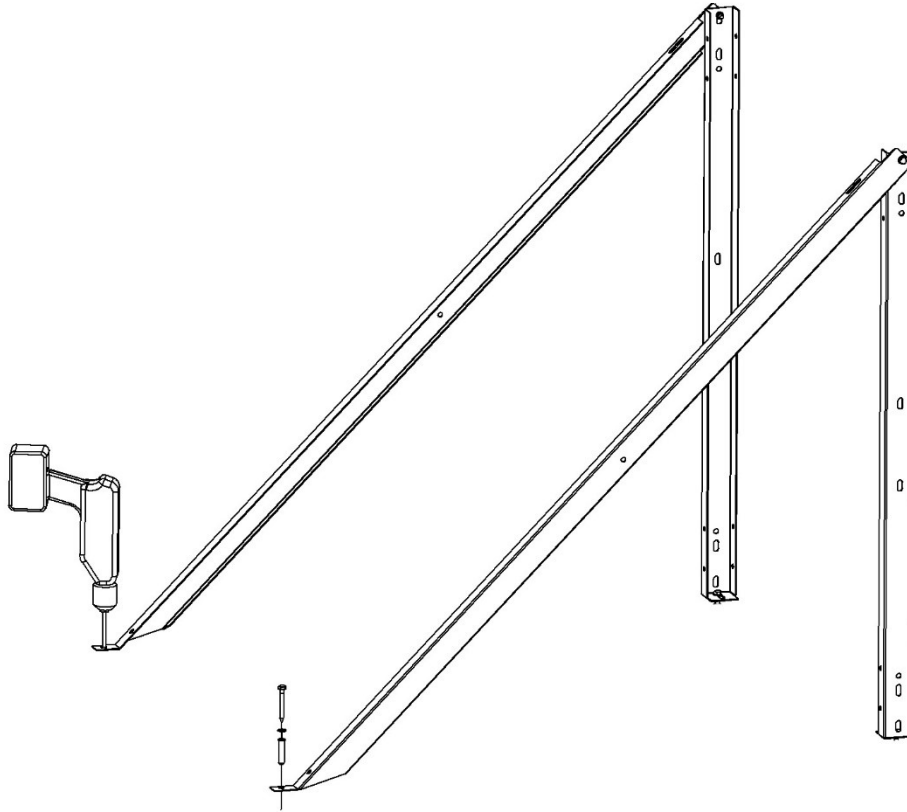
STEP 2

Connect the two diagonal beams on the pillars. Note that there is a left and right diagonal as shown in the detail views.



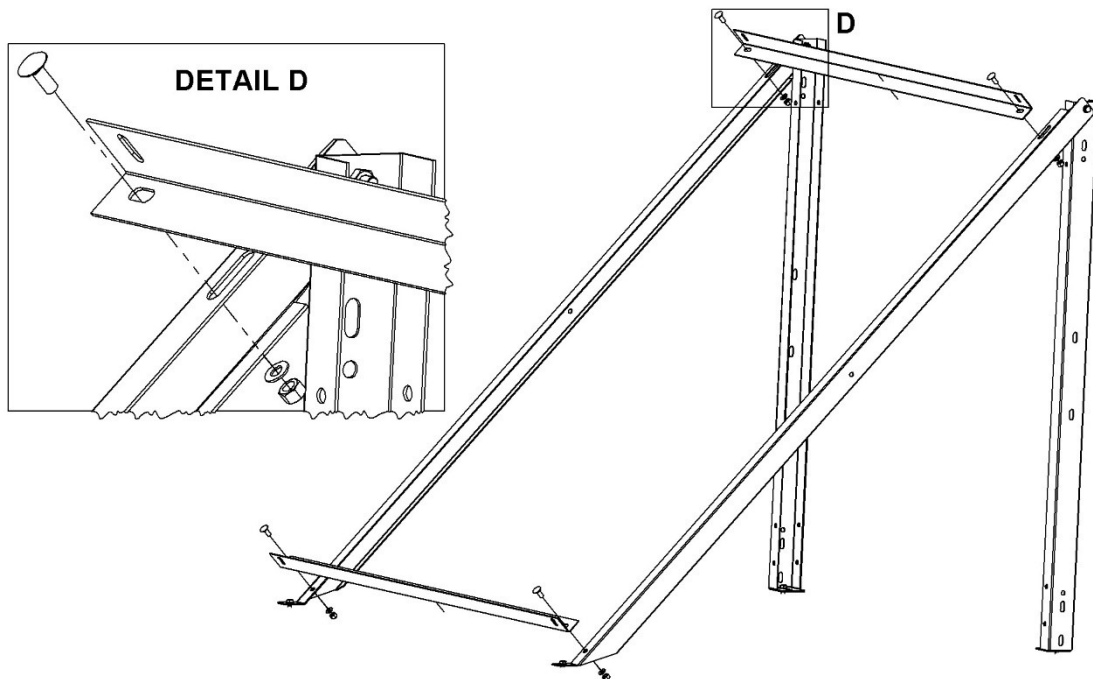
STEP 3

Step on the free end of the diagonal so that the tab bends and comes to contact with the ground.



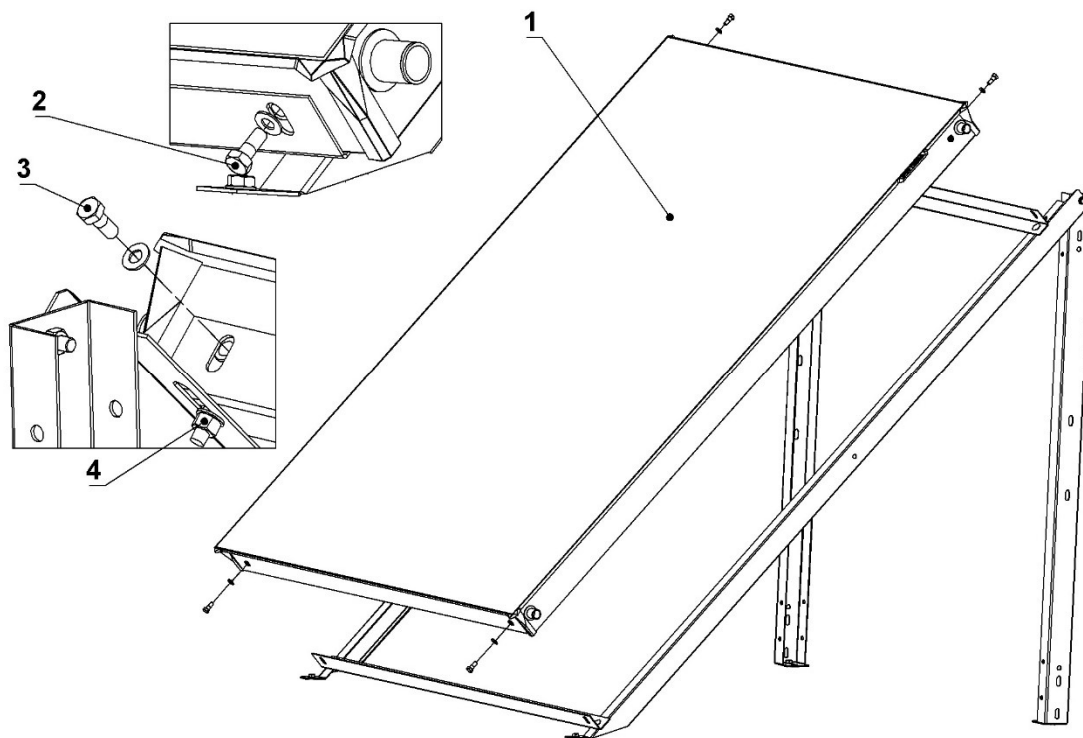
STEP 4

Drill the ground and fix the free ends of the diagonal beams with the appropriate means.



STEP 5

Install the collector rails as shown in the drawing. Tighten the lower bolts but leave the bolts for the upper beam free to move.

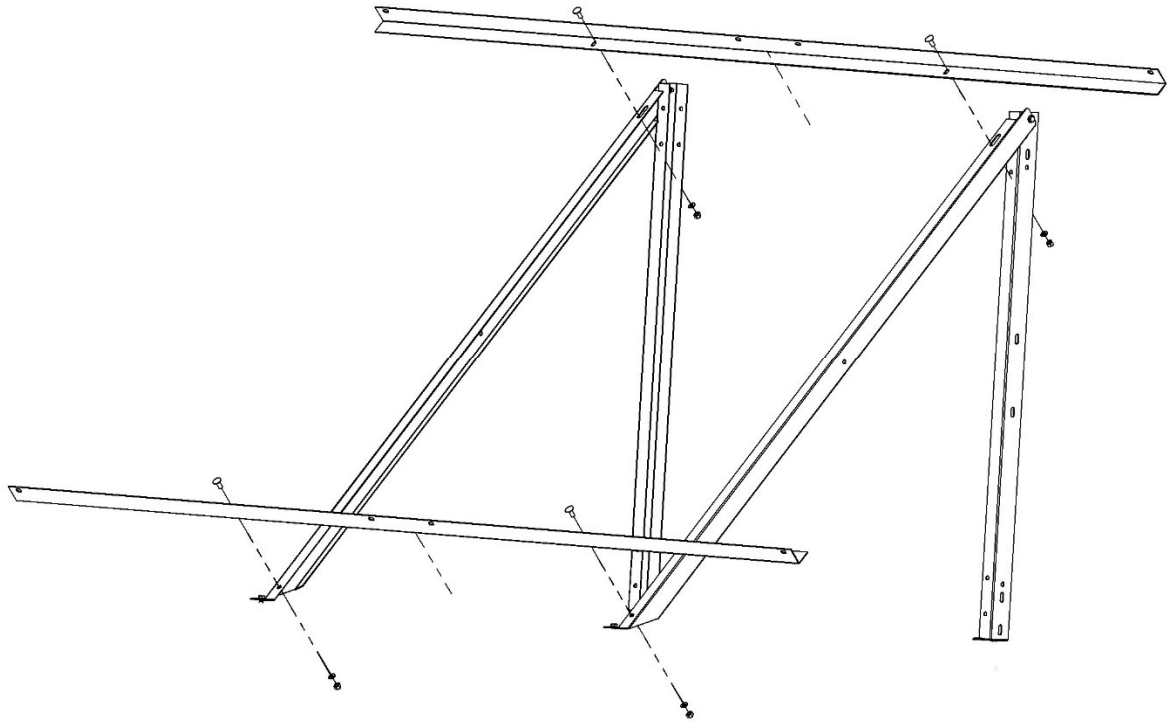


STEP 6

1. Carefully lower the collector onto the collector rails and align the bolt holes. DO NOT remove the protective cover until the collector is filled.
2. Install collector bolts and washers.
3. Tighten lower collector bolts [1].
4. Tighten upper collector bolts [2].
5. Tighten upper rail bolts [3].
6. Inspect all bolts and tighten where necessary.

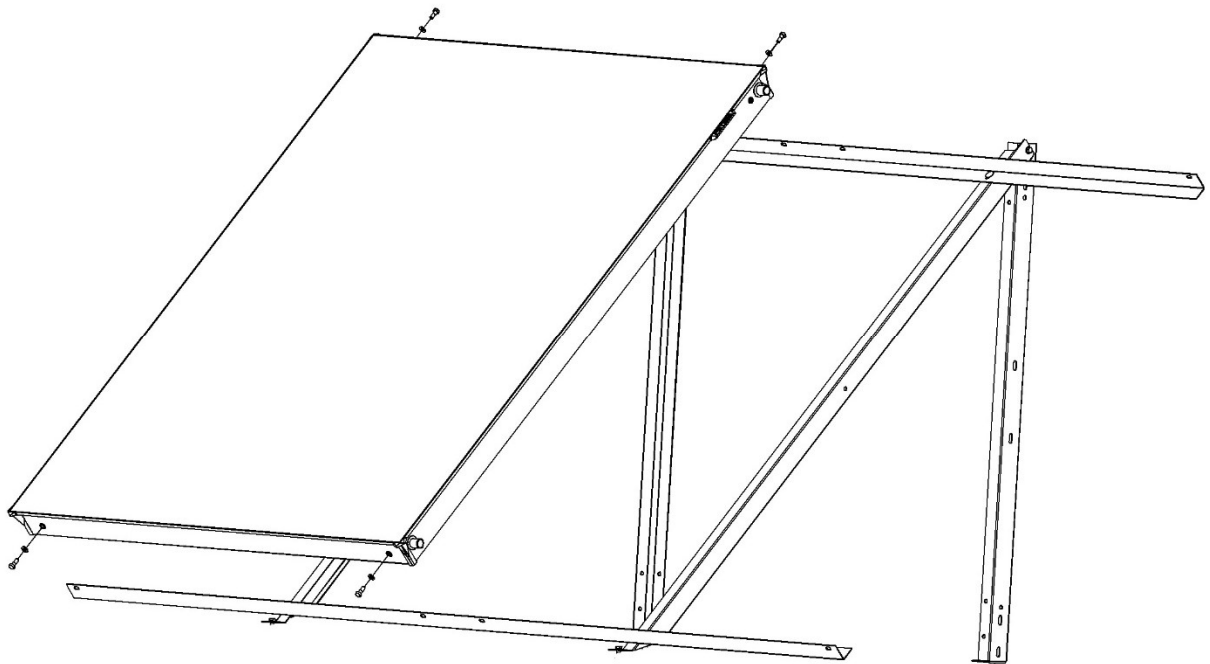
X) INSTALLATION OF TWIN STAND ALONE COLLECTOR SYSTEM ON A FLAT ROOF

Follow steps 1-4 of previous section for the installation of single stand alone collector.



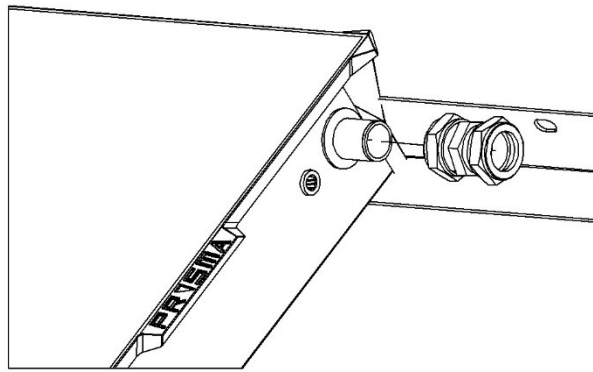
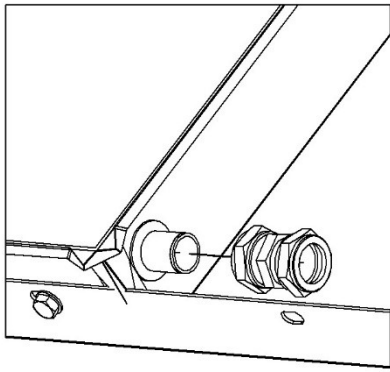
STEP 5

Install the collector rails as shown in the drawing. Tighten the lower bolts but leave the bolts for the upper beam free to move.



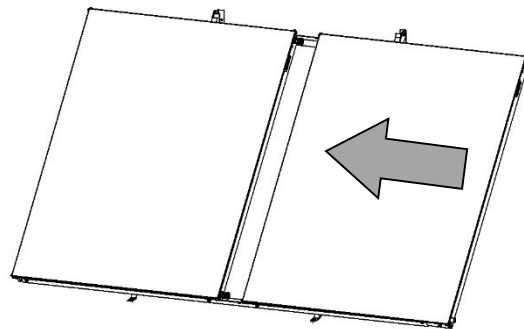
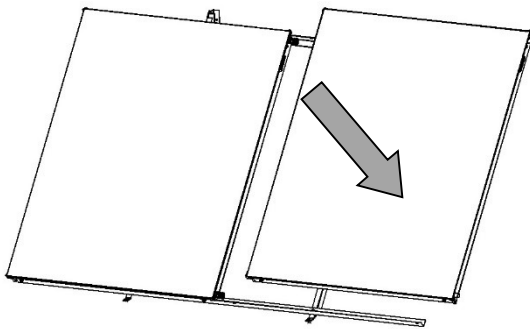
STEP 6

Install the first collector. DO NOT remove the protective cover.



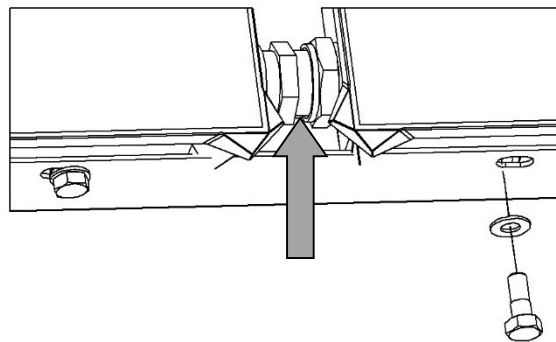
STEP 7

Install the hydraulic fittings that connect the two collectors.



STEP 8

1. Lower the second collector on the rails, next to the first one. Exercise caution not to damage the fittings.
2. Slide the second collector towards the first one and insert the tubes into the fittings.



STEP 9

1. Ensure the tubes are properly seated into the fittings and tighten the fittings.
2. Install and tighten the bolts of the second collector.
3. Check all system bolts and tighten where necessary.

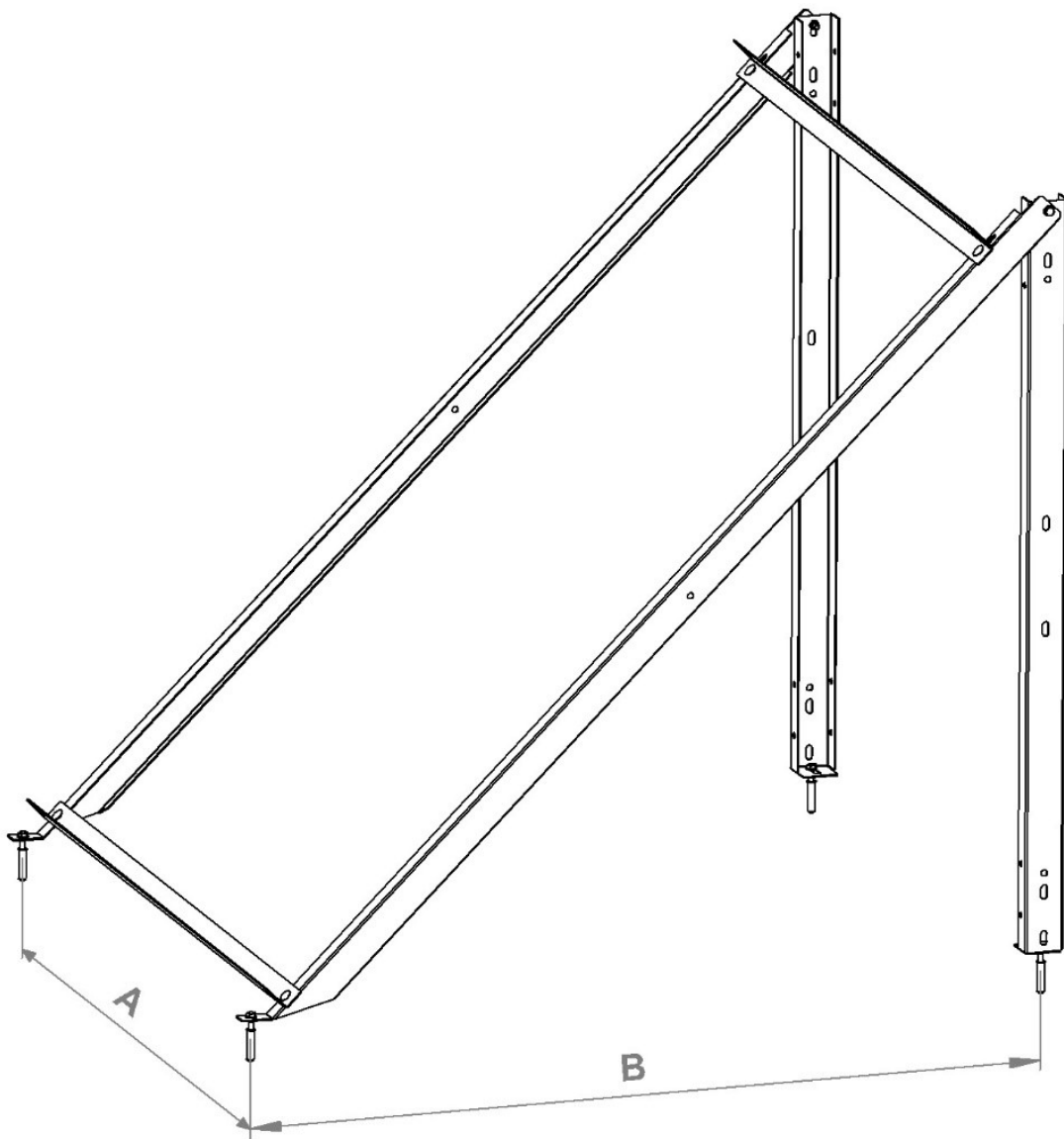


TABLE 6
INSTALLATION DIMENSIONS

Parameters		System			
Angle	Dimension	2.0	2.5	2 X 2.0	2 X 2.5
45 Degrees	A	1090			
	B	1287	1599	1287	1599

XI) INSTALLATION OF COLLECTOR ARRAYS UP TO 20m²

