

# 4. Heating box.

Pic.7. Heating box.

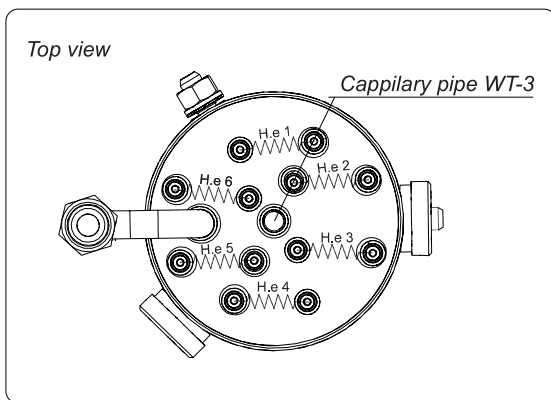
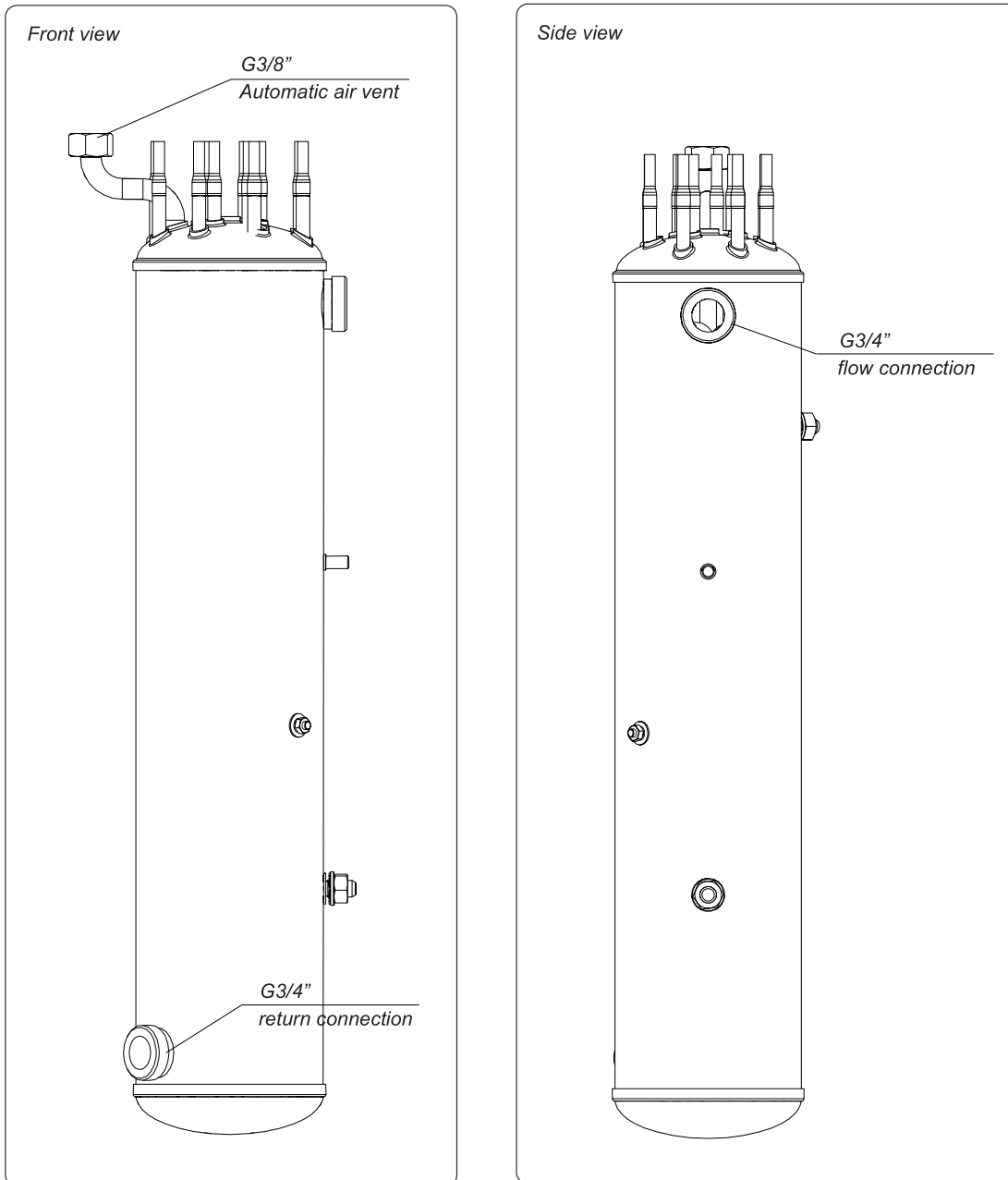


Tabela 1. Electric parameters of heating box.

BOILER TYPE	SERVICE CODE	Amount of heating elements	$R_{el}$ Heating elements resistance[Ohm]	$U$ working voltage of the heating elementsi [V]
EKCO30.LN2ROM	02353	6	30.0 + 32,4	400
EKCO36.LN2ROM	02190	6	24,7 + 27,3	400