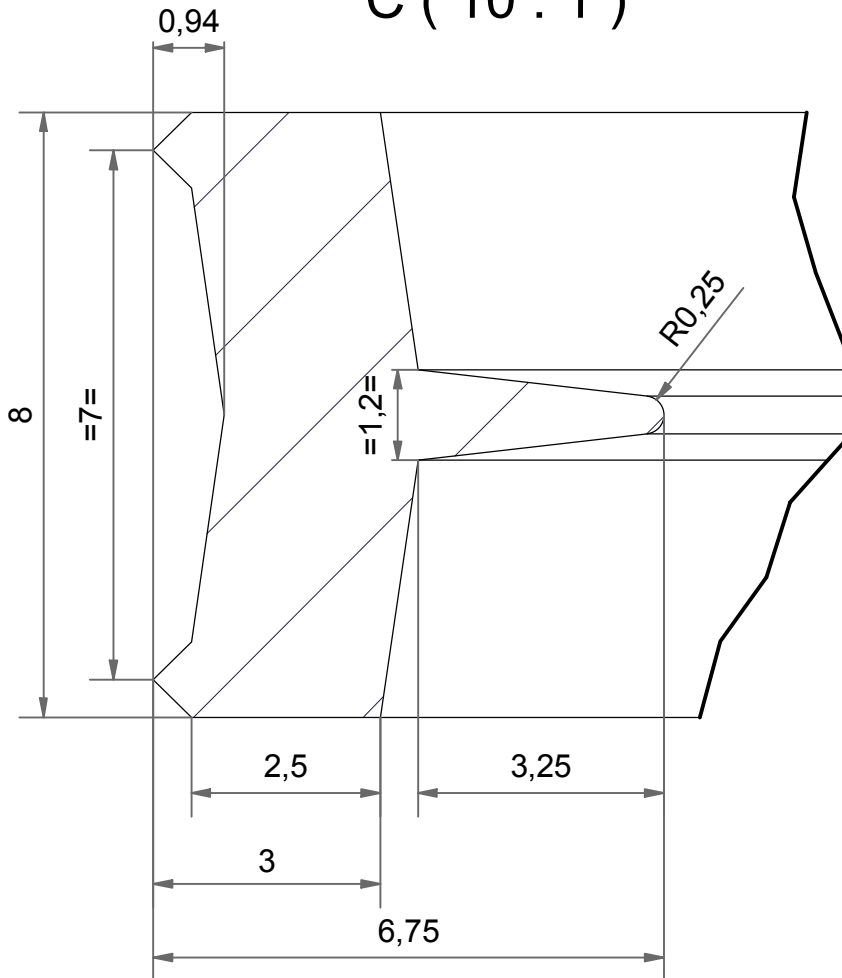



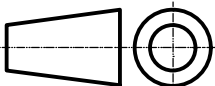

C (10 : 1)



DATA PERFORMANCE

PARAMETERS	LEVELS
REFERENCE STANDARD	EN 14241-1 : 2013
SHORE (AS IT IS)	70
CLASSES	T120 - W2 - K2 - I
NOMINAL DIAMETER	60 mm
SHORE TOLLERANCE	± 5 unit
COLOR	BLACK

PLEASE NOTE: CONFIDENTIAL MATERIAL, ANY TOTAL OR PARTIAL REPRODUCTION AND DISCLOSURE OF IT TO THIRD PARTIES IS PROHIBITED WITHOUT PRIOR WRITTEN AUTHORIZATION OF STABILE S.P.A.

DRAWING BY GADM	DRAWING SCALE 2 : 1	MATERIAL EPDM	CUSTOMER	DEPARTMENT 25011327
DATA 15/11/19	GENERAL TOLERANCE ± 0.05	EXTERNAL FINISH BLACK	ITEM PACGT 71 D60	
		WEIGHT 0,0 kg	DESCRIPTION EPDM GASKET 120°C D60 (PAC)	
		PIECES	FORMAT A4	 N°