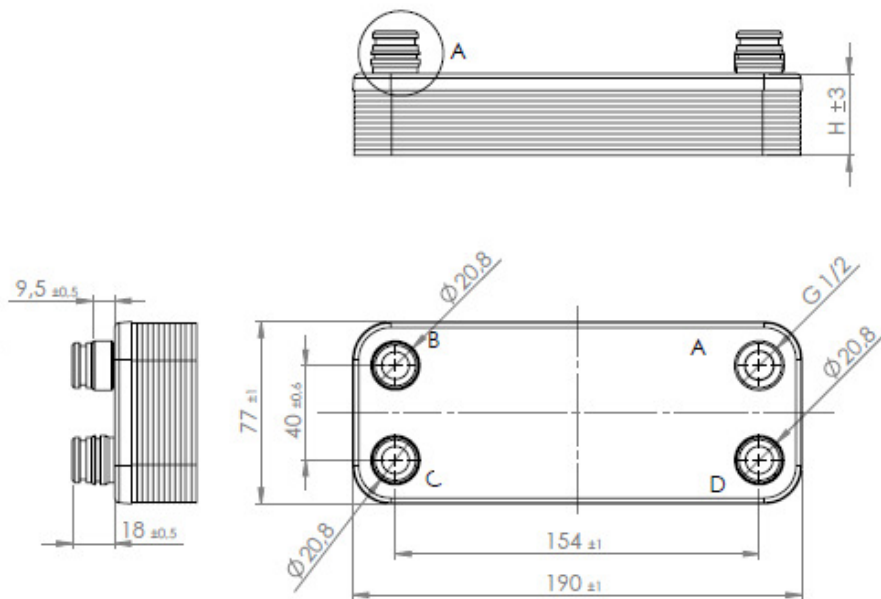
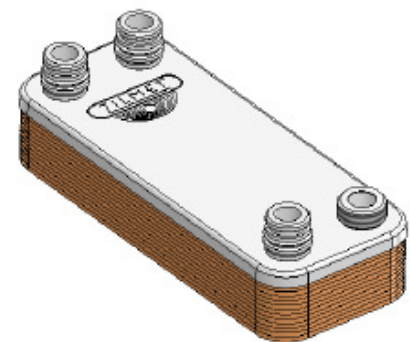


DETTAGLIO A  
SCALA 1:1



CIRCOLAZIONE FLUIDI: CIRCUITO PRIMARIO C-D (PRIMARY CIRCUIT C-D)  
CIRCUITO SECONDARIO A-B (SECONDARY CIRCUIT SANITARY A-B)

Press.max eserc. circ. primario (Max oper. press. primary circuit): 3 bar  
 Press.max eserc. circ. second. (Max oper. press. second. circuit): 8 bar  
 Temperatura esercizio (Max oper. temperature): -10/+120 °C  
 Materiale piastre corr. (Shaped plates material): INOX AISI 316L  
 Materiale di brasatura (Brazing material): 99.9% Cu  
 Materiale raccordi (Connection material): INOX AISI316

CODE	N° OF PLATES	H
17B1901215	12	35
17B1901415	14	38
17B1902015	20	53

**HEATING HEXCHANGER BRAZED**

17B190--15

ZB 190