



DIN-Rail Mount: 3Lines Mix Controller. This Mix Control module contain 4Ch Dimmer X each is 1A, and 20ch Relays X each is 5A /per ch. with scene controller. Software Selectable programmable Motor function: Double Throw Dipole Grouping. Work 220/110 VAC, 50-60Hz (Green operated supplied by 24VAC/12mA) Compact and elegant with easy labeling space, output status LED indicator, network health, broadcast address button and Momentary channel button. Can be used in any location that require energy saving, intelligent control such as apartment, Villa, Offices, Restaurant, Hotels or factories.  
 \*Can be Manually Programmed by any Electrician on site without need for PC.

**technical data**



**Supply**  
 80-230VAC, 50/60Hz 3-Lines  
 power consumption: 20-30mA

**Outputs**  
 Line1 Section: 6Relays x 5A  
 Line2 Section: 7Relays x 5A  
 Line3 Section: 7Relays x 5A  
 Line3 Section: 4Dimmer x 1A

**Maximum Total Load**  
 90A total load of all channels

**Control IO**  
 3 x Advanced RS485 S-BUS  
 serial port links (both train &  
 screw link types)

**Upgrade IO**  
 1 x mini USB port (to connect to  
 special programming board)

**User Controls**  
 · front panel override switches,  
 Includes ON/OFF/AUTO over-  
 ride switch for each channel  
 · LED status indicator/channel  
 · Diagnostic LED+ BROADCAST

**Programming**  
 · Manual Ch. Pairing Program-  
 ming Each Channel to a Button  
 on Wall Panels (e.g. DDP, 6B)  
 · Advanced Software Configu-  
 ration & Programming

**Compliance**  
 CE Mark Low Voltage  
 CE Mark EMC  
 ROHs,

**Internal Protection**

- Over Load Protection
- BUS Rv. Polarity Protection
- BUS Short Circuit Protection

**Preset and Scenes**

24X12 Built in Scenes, & 24X2  
 Sequence Modes & Logics.

**Installation**

- 35mm DIN-Rail Mount Ready
- Wall Mount Ready (8P)

**SBUS DC Supply**

24VDC with flexible tolerance  
 between 12-36VDC. Flexible  
 ability to add power supply as  
 to be needed any where

**Supply Terminals**

3 each is good for 2 x 2.5mm<sub>2</sub> or  
 1 x 4mm<sub>2</sub> max conductor size

**Output Terminals**

24 each is good for 2 x 2.5mm<sub>2</sub>  
 or 1 x 4mm<sub>2</sub> max conductor size

**Operating Environment**

0° to 45°C ambient temperature  
 10% to 93% RH

**Enclosure & Size**

Polycarbonate, DIN-rail (8 Unit)

**Dimensions & Weight**

W 91mm x L 145mm x H 75mm  
 Packed weight 0.7kg

**New added features as  
 Simultaneous operation:**

- a- Multi Line
- b- Double Throw
- c- momentary
- d- Latching / toggling
- e- Scene from multi Units



**load compatibility**



- All Types of Lighting
- Water Pumps & Solenoids
- Some Appliances
- Track lighting
- Motorized Drapes



**commercial**



GTIN (UPC-EAN): 0610696254788  
 Patent P. No: 201110123081.0  
 Patent No: 201120452441.7

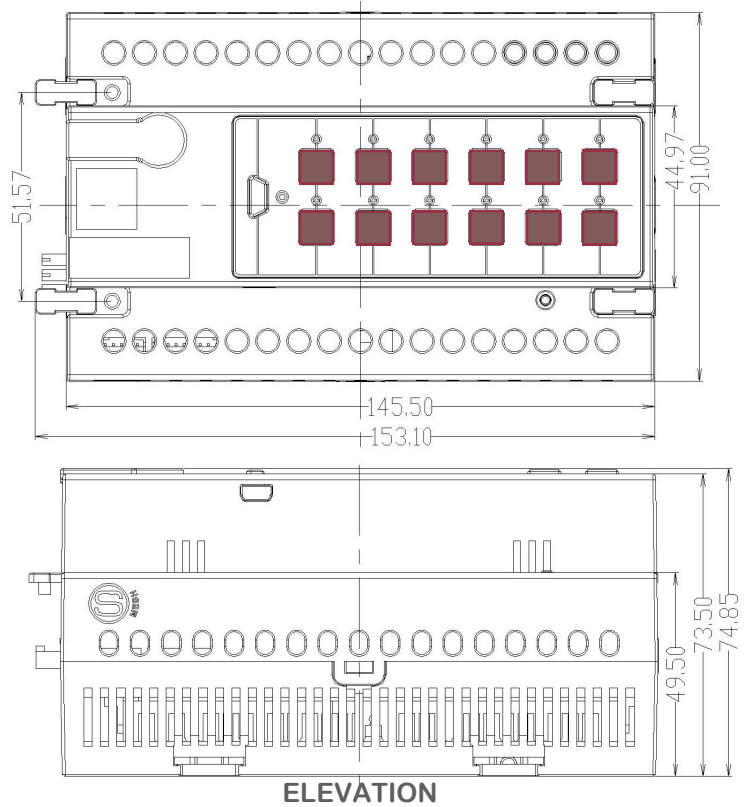
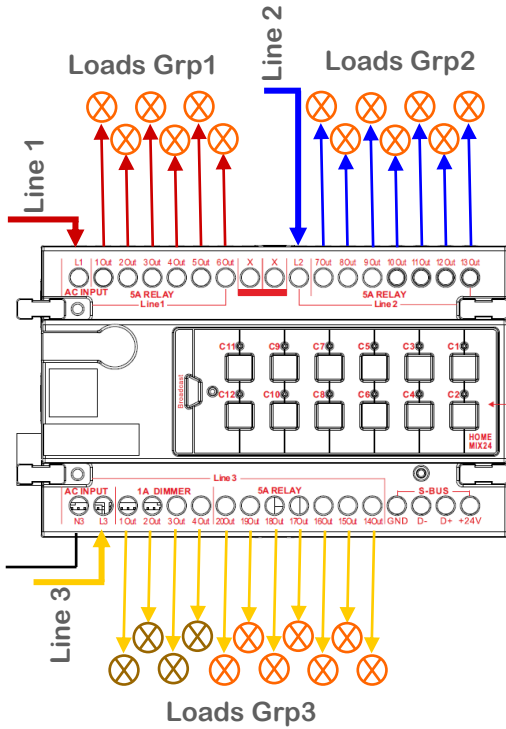


0 610696 254788

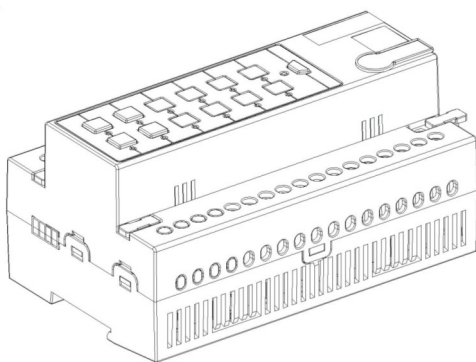


electrical diagram **G4**

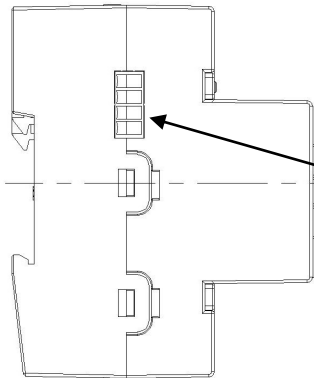
mounting dimensions **G4**



Warning: this is an electrical product, it must be installed only by trained & licensed electrician

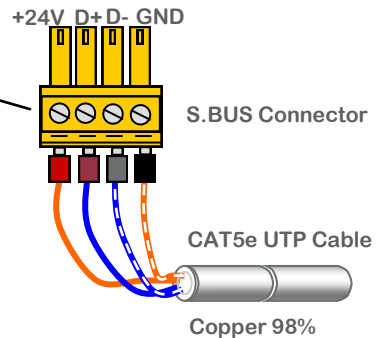


PROSPECTIVE



SIDE VIEW

S-BUS connection **G4**



UTP core colors **G4**

S.BUS +24V		orange
S.BUS GND		w/orange
S.BUS D+		blue
S.BUS D-		w/blue
Spare		green
Spare		w/green
Spare +12v		brown
Spare -12V		w/brown



www.smarthomebus.com • info@smarthomebus.com  
USA - Germany - Denmark - Hong Kong - Jordan - China - UAE

SB-G4 Data Sheet Rev 2.0 released Dec.2012

Specifications subject to change without notice. © Smarthome® -Group Trading as Smart-BUS®, Texas 77043 - USA. All rights reserved. Smart Mesh®, Smarthome BUS® and all other associated logos are the registered trademarks of Smart-Group®. Not to be used nor reproduced without written permission. All Patents and IPO's Remain owned by SmartHome® Group

