



Bus Enabled, Addressable 3-Zone Input and output Module. used for Automation, to connect to any door window sensor, PIR , Gas leak, Smoke detectors, Water Leak sensors, Pressure Mats, panic,4-20mA sensor,0-15v sensor...etc. Another application is for converting Classical Manual Switches into BUS Automation use. Built-in intelligence and delay function, 2-Way Switch update status function. Can fit behind switch into wall box. **Added function: Bigger screw terminals, Broadcast button, and mini USB firmware upgrade port.

technical data



Inputs :

3-Dry Contact Input mode (com: Built-12V)(NO/NC)
Current input mode(DC 4-20mA and 0-60mA)
Voltage input mode(DC 0-15V) select above 3 modes in smart cloud

Outputs:

0 or 5v outputs (3rd party product interfaces)
Output Built-12V

Control condition:

there are 20 controlling conditions in each volt or current mode.

User Controls :

LED status indicator/channel Diagnostic LED+ BROADCAST

Programming :

Advanced Software Configuration & Programming

Compliance

CE Mark EMC
ROHs
UL Listed Relays Inside

Control IO:

1 x Advanced RS485 S-BUS serial port links (both train & screw link types)

Upgrade IO :

1 x mini USB port (to connect to special programming board)

Operation Protection :

- BUS Rv. Polarity Protection
- BUS Short Circuit Protection

SBUS DC Supply :

24VDC with flexible tolerance between 8-32VDC. Flexible ability to add power supply as to be needed any where
Power consumption: 12mA

Installation :

Universal Mount Ready

Operating Environment :

0° to 45°C ambient temperature
20% to 93% RH

Enclosure material

APS Polycarbonate,

Dimensions & Weight

W 46mm x L 46mm x H 16mm
Packed weight 0.06 kg



control compatibility



Applications: Any door & window sensor, PIR , Gas leak, Smoke detectors, Water Leak sensors, Pressure Mats, Panic



commercial



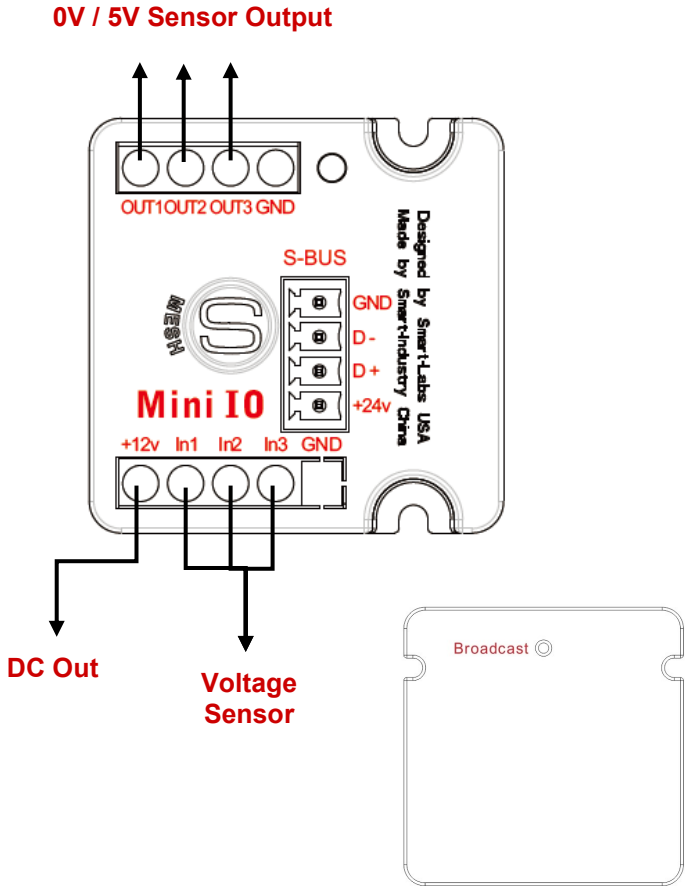
GTIN (UPC-EAN): 0610696255167
Patent P. No: 201110123081.0



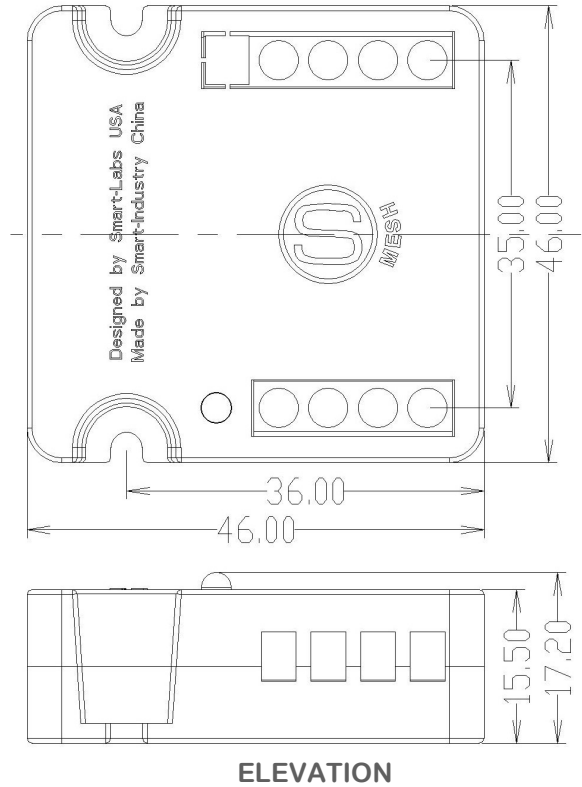
0 610696 255167



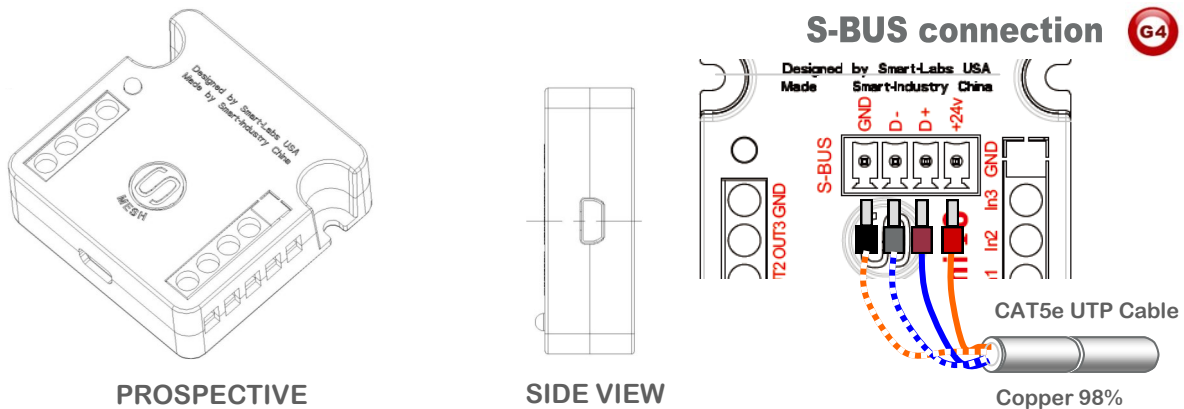
connection diagram G4



mounting dimensions G4



S-BUS connection G4



UTP core colors G4

S.BUS +24V		orange
S.BUS GND		w/orange
S.BUS D+		blue
S.BUS D-		w/blue
Spare		green
Spare		w/green
Spare +12v		brown
Spare -12V		W/brown



www.smarthomebus.com • info@smarthomebus.com
USA - Germany - Denmark - Hong Kong - Jordan - China - UAE

SB-G4 Data Sheet Rev 2.0 released Dec.2012

Specifications subject to change without notice. © Smarthome® -Group Trading as Smart-BUS®. Texas 77043 - USA. All rights reserved. Smart Mesh®, Smarthome BUS® and all other associated logos are the registered trademarks of Smart-Group®. Not to be used nor reproduced without written permission. All Patents and IPO's Remain owned by SmartHome® Group

