



All in one wall Switch, the DDP is an elegant and easy to use wall panel that eliminates wall agony. It has built in thermostat, changeable labels to identify every button use, can control lights, curtains, temperature, music, and TV. DDP has easy fascia color and material changing flexibility to help match any interiors. The DDP has screw less mounting mechanism, security lock, easy upgrade mini-USB, re-locatable IR receiver probe, LED backlit buttons and LCD screen. DDP can accept Multi languages, Icons and Graphics

**Added function: Bigger buttons, Elegant aluminum surround and buttons, mini USB firmware upgrade port, better Temperature sensor, easy connectors. Security lock screw to prevent vandalism.

technical data



Screen Pages

Total 13 pages, (4 flexible use)
 9P for HVAC (1 Master+8 Slave)
 1P for Music
 1P for Floor Heating/Cooling

Extra features

Lockable keys/ buttons
 Calibrate able temperature +5-
 Changeable fascia colors
 LED backlit buttons and LCD
 Reloadable IR receiver 15m
 Screw less mounting
 Easy sBUS connector tech.

Control Applications

lighting, HVAC, security, motorized shades, music, moods and scenes, fountains, irrigation, gates, LED color, service request, panic, code entry, lifts, media equipment...etc.

User Controls

- user control buttons
- Diagnostics + BROADCAST

Button behavior

Single click (on/Off toggle)
 Double click (mood/Macro)
 Keep press (dim/ramp)

Programming

- Manual Pairing to Lighting, HVAC and Audio modules
- Advanced Software Configuration & Programming

Compliance

CE Mark EMC
 ROHs, CPT

Total Gangs

This DDP is equal to 120 gangs

Control IO

1 x Advanced RS485 S-BUS serial port links (both train & screw link types)

Upgrade IO

1 x mini USB port (to connect to special programming board)

Operation Protection

- BUS Rv. Polarity Protection
- BUS Short Circuit Protection

SBUS DC Supply

24VDC with flexible tolerance between 8-32VDC. Flexible ability to add power supply as to be needed any where
 Power consumption: 25mA

Installation

- wall Mount metal frame twist
- Magnetic screw less mounting
- Advanced security locking
- Easy sBUS connector tech.

Operating Environment

0° to 45°C ambient temperature
 20% to 93% RH

Enclosure material

Aluminum, Glass, and poly

Dimensions & Weight

W85mm x L85mm x H12mm x D8mm. Backed weight 0.22 kg



control compatibility



| | | | | | |
|------------|-----------|---------|------------|---------|---------|
| · Lighting | · Climate | · Music | · Curtains | · Moods | · Media |
| · Security | · Service | · Color | · Drapes | · Pumps | · Gates |



commercial



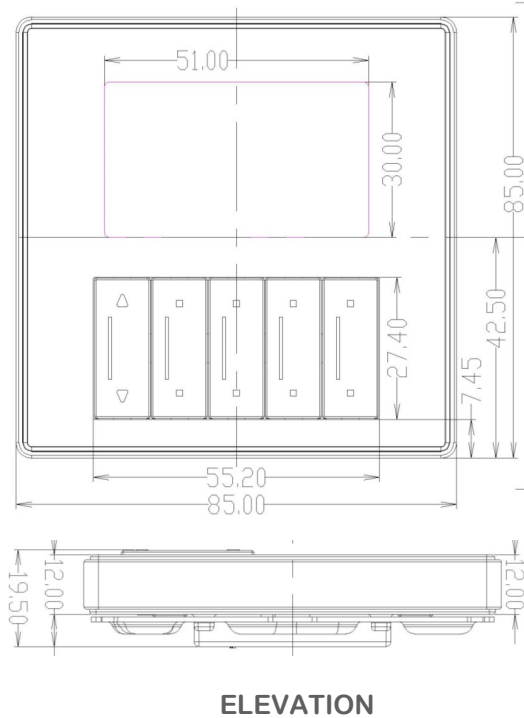
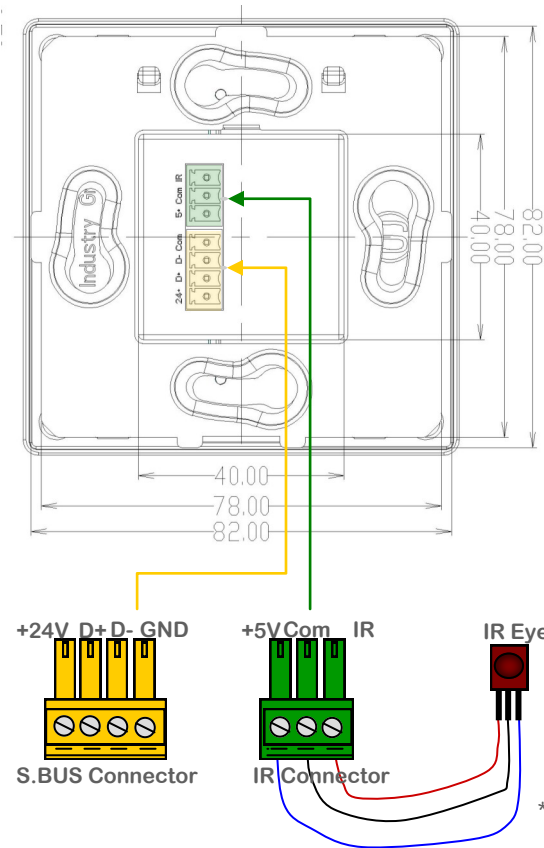
GTIN (UPC-EAN): 0610696254030
 Patent P. No: 201110123081.0
 Patent . No: 201120213397.4



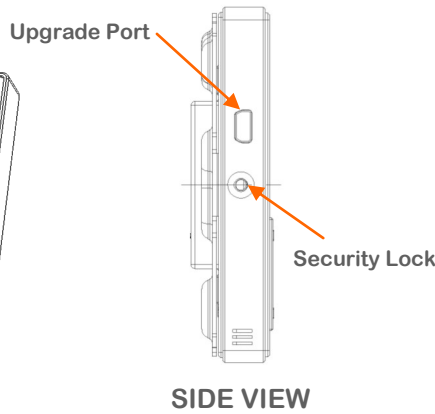
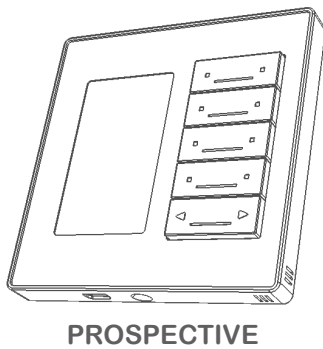


connection diagram

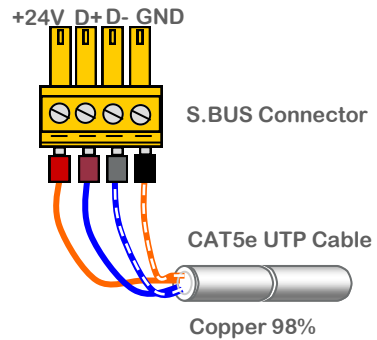
mounting dimensions



*IR Expansion Cable Tested at 15 Meters & found Perfectly operational



S-BUS connection



UTP core colors

| | | |
|------------|---------------------------|----------|
| S.BUS +24V | Orange | orange |
| S.BUS GND | Orange with white stripes | w/orange |
| S.BUS D+ | Blue | blue |
| S.BUS D- | Blue with white stripes | w/blue |
| Spare | Green | green |
| Spare | Green with white stripes | w/green |
| Spare +12v | Brown | brown |
| Spare -12V | Brown with white stripes | W/brown |



www.smarthomebus.com • info@smarthomebus.com
USA - Germany - Denmark - Hong Kong - Jordan - China - UAE

SB-G4 Data Sheet Rev 2.0 released Dec.2012

Specifications subject to change without notice. © Smarthome® -Group Trading as Smart-BUS®, Texas 77043 - USA. All rights reserved. Smart Mesh®, Smarthome BUS® and all other associated logos are the registered trademarks of Smart-Group®. Not to be used nor reproduced without written permission. All Patents and IPO's Remain owned by SmartHome® Group

