



DIN-Rail Mount: 5Isolated Areas Mix Controller. This Mix Control module is designed to Handle almost all needs of any Luxury Zone Like Master Suite, Hotel Room or 1-2 bedroom apartment. A Single Module contains 3Ch Dimmers X each is 1A, and 11ch Relays X each is 6A /per ch. with scene controller. 2Ch RelaysX6A With Double Throw for Motorized curtains and Drapes. 1Relay X 16A for Boiler and Floor Heating. HVAC module for FCU/AHU to Handle Multi stage Cooling, heating, and 3 fan Speed (L M H). Built in 1 Port for 0-10V VAV and Ballast Control. Added Port for T1 Temperature Sensor for Duct Temperature. Work 220/110 VAC, 50-60Hz (Green operated) Compact

technical data



Supply
80-230VAC, 50/60Hz 3-Lines
power consumption: 20-30mA

Outputs
Line1 Section: 7Relays x 6A
Line2 Section: 4Relays x 6A
Line2 Section: 3Dimmer x 1A
Line3 Section: 1Relay x 16A
HVAC Mode : 3Relay X 5A
AC FAN Speed: 3 relay X 5A

Maximum Total Load
90A total load of all channels

Control IO
3 x Advanced RS485 S-BUS
serial port links (both train &
screw link types)

Upgrade IO
1 x mini USB port (to connect to
special programming board)

User Controls
· front panel override switches,
Includes ON/OFF/AUTO over-
ride switch for each channel
· LED status indicator/channel
· Diagnostic LED+ BROADCAST

Programming
· Manual Ch. Pairing Prog.
· Advanced Software Configu-
ration & Programming

Compliance
CE Mark Low Voltage
CE Mark EMC
ROHs,

Internal Protection

- Over Load Protection
- BUS Rv. Polarity Protection
- BUS Short Circuit Protection

Preset and Scenes
15X30 Built in Scenes

Installation
· 35mm DIN-Rail Mount Ready
· Wall Mount Ready (8P)

SBUS DC Supply
24VDC with flexible tolerance
between 12-36VDC. Flexible
ability to add power supply as
to be needed any where

Supply Terminals
3 each is good for 2 x 2.5mm² or
1 x 4mm² max conductor size

Output Terminals
24 each is good for 2 x 2.5mm²
or 1 x 4mm² max conductor size

Operating Environment
0° to 45°C ambient temperature
10% to 93% RH

Enclosure & Size
Polycarbonate, DIN-rail (8 Unit)

Dimensions & Weight
W 91mm x L 145mm x H 75mm
Packed weight 0.9kg



New added features as Simultaneous operation:

- a- Multi Line
- b- Double Throw
- c- momentary
- d- Latching / toggling
- e- Scene from multi Units
- f-HVAC &VAV
- g-Ballast Control
- h-Boiler/Floor Heating
- i- Motorized Curtain Control



load compatibility



- All Types of Lighting
- Appliances
- HVAC / VAV
- Water Pumps & Solenoids
- Track lighting
- Motorized Drapes



commercial

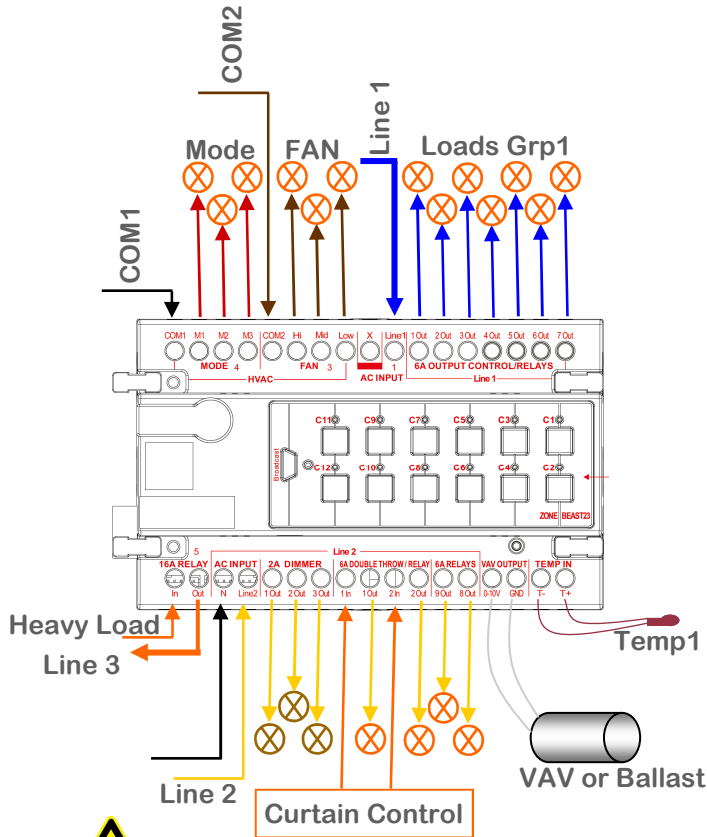


GTIN (UPC-EAN): 0610696254313
Patent P. No: 201110123081.0
Patent No: 201120452441.7

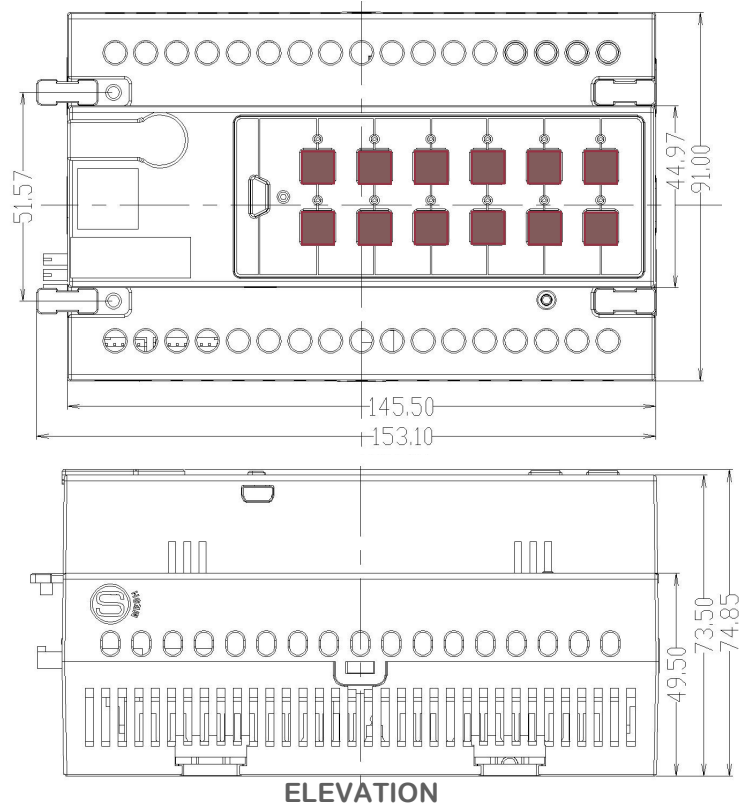


0 610696 254313

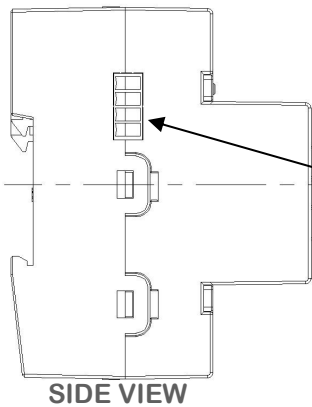
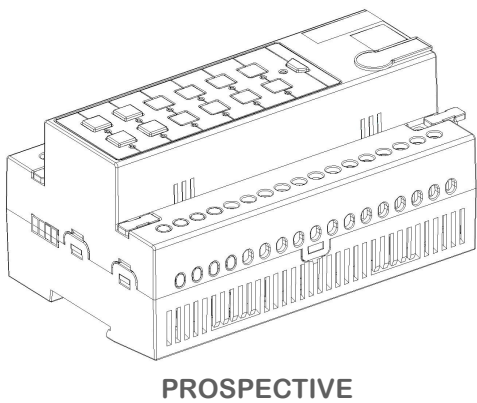
electrical diagram **G4**



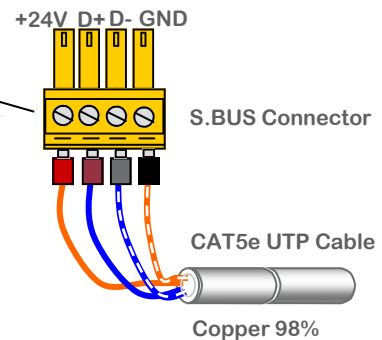
mounting dimensions **G4**



Warning: this is an electrical product, it must be installed only by trained & licensed electrician



S-BUS connection **G4**



UTP core colors **G4**

S.BUS +24V	orange
S.BUS GND	w/orange
S.BUS D+	blue
S.BUS D-	w/blue
Spare	green
Spare	w/green
Spare +12v	brown
Spare -12V	W/brown



www.smarthomebus.com • info@smarthomebus.com
USA - Germany - Denmark - Hong Kong - Jordan - China - UAE

SB-G4 Data Sheet Rev 2.0 released Dec.2012

Specifications subject to change without notice. © Smarthome® -Group Trading as Smart-BUS®. Texas 77043 - USA. All rights reserved. Smart Mesh®, Smarthome BUS® and all other associated logos are the registered trademarks of Smart-Group®. Not to be used nor reproduced without written permission. All Patents and IPO's Remain owned by Smarthome® Group

