



Generation-4 SBUS

S-BUS Ready Cable Manager to Help Organize cabling Between Zones/Floors in Professional and Easy to Maintain and Diagnose method. This Module Accept S-BUS Train Assembly connection and can be cascaded accordingly to multiply the Number of Ports by 8-Ports per Cascade Module added.

technical data



Compatibility  
Mainly Cat5 and Cat6,  
KNX Cables  
AWG 14 cables

SBUS DC Supply  
24VDC



Power  
S-BUS Pass Through

Installation  
· 35mm DIN-Rail Mount Ready  
· Wall Mount Ready (4P)

Ports  
1X4D Male for Train / cascade  
1X4D Female for Train cascade  
8X4D Male for Cables Manage

Operating Environment  
0° to 45°C ambient temperature  
20% to 93% RH

Human Interface  
LED Indicator for Power OK

Enclosure & Size  
APS Polycarbonate,  
DIN-rail (4 Unit)

Compliance  
CE Mark EMC  
ROHs, RS

Dimensions & Weight  
W 91mm x L 73mm x H 75mm  
Packed weight 0.26 kg



Applications



24VDC Power Supply Needs  
Medical Equipment and Application Compliant



commercial



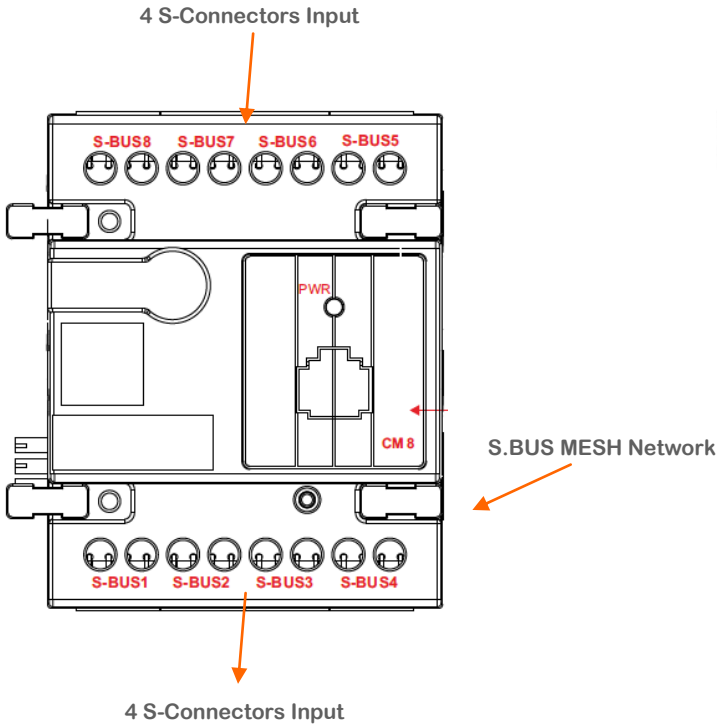
GTIN (UPC-EAN): 0610696254542  
Patent No: 201120452441.7



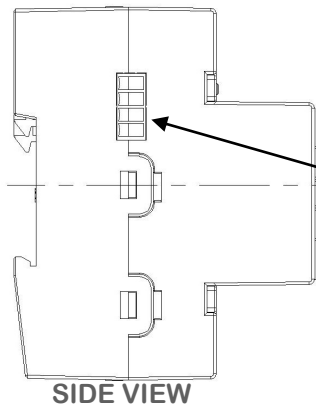
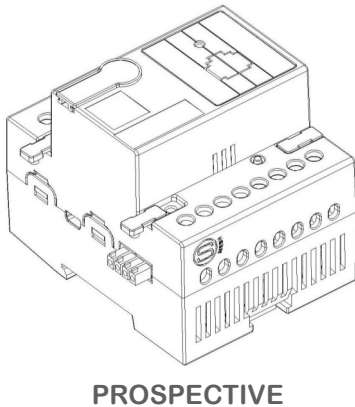
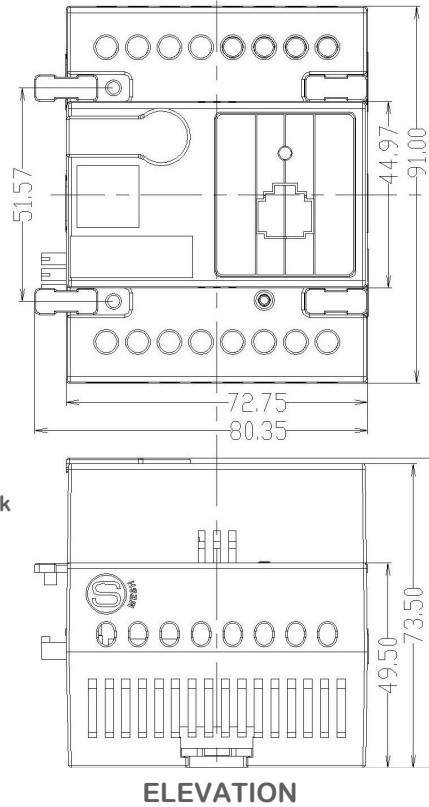
0 610696 254542



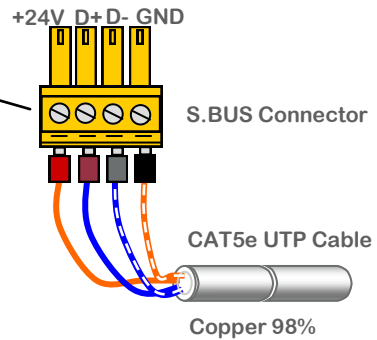
**connection diagram**



**mounting dimensions**



**S-BUS connection**



www.smarthomebus.com • info@smarthomebus.com  
USA - Germany - Denmark - Hong Kong - Jordan - China - UAE

SB-G4 Data Sheet Rev 2.0 released Dec.2012

Specifications subject to change without notice. © Smarthome® -Group Trading as Smart-BUS®, Texas 77043 - USA. All rights reserved. Smart Mesh®, Smarthome BUS® and all other associated logos are the registered trademarks of Smart-Group®. Not to be used nor reproduced without written permission. All Patents and IPO's Remain owned by SmartHome® Group



**UTP core colors**

S.BUS +24V		orange
S.BUS GND		w/orange
S.BUS D+		blue
S.BUS D-		w/blue
Spare		green
Spare		w/green
Spare +12V		brown
Spare -12V		W/brown