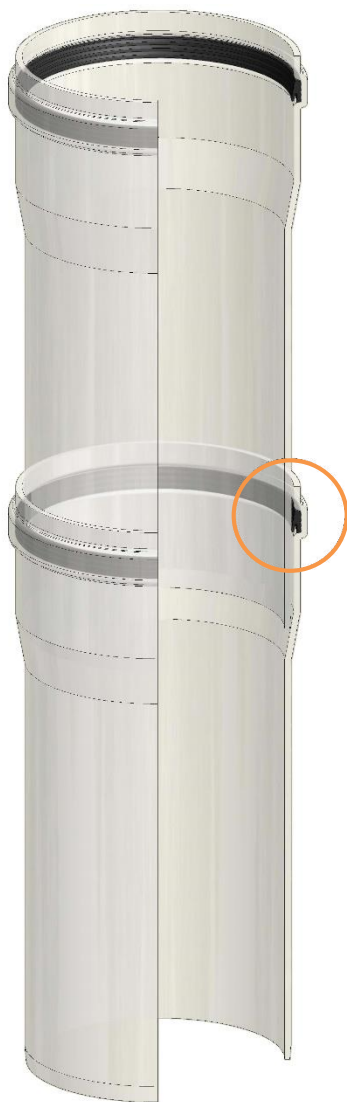


# STABILE

## La Canna Fumaria Technical sheet STABILE PA



<b>Name</b>	STABILE PA					
<b>Description</b>	Rigid single-wall system chimney					
<b>Reference standard</b>	EN 14471:2005					
<b>With gasket</b>	<b>Designation</b>	Group 1	T120-H1-O-W-2-010-I-F-L1			
	<b>EN 14471:2005</b>	Group 2	T120-H1-O-W-2-020-I-F-L1			
	<b>Plastic chimneys</b>	Group 3	T120-H1-O-W-2-040-I-F-L1			
<b>Group of diameter</b>	Group 1		Group 2			Group 3
Nominal Diameter [mm]	60	80	110	125	160	200
Minimum thickness declared [mm]	2	2	3	3.5	4	4.5
Weight per meter L.1000 mm approx. [Kg/m]	0.310	0.480	0.910	1.200	1.970	2.890
<b>Material specifications of flue duct</b>	Homopolymer polypropylene PP H					
<b>Performance data</b>						
Operating temperature in continuous regime	120°C		(T120)			
Operating pressure	5000 Pa		(H1)			
Resistance to soot fire	NO		(O)			
Working with wet flue gases	YES		(W)			
Resistance to corrosion	YES		(2)			
Distance from combustible materials	Group 1	Group 2			Group 3	
	O 10 [mm]	O 20 [mm]			O 40 [mm]	
Positioning	I [indoors]					
Reaction to fire	F					
Enclosure class	L1 ( Shafts or ventilated technical areas with wooden joists passing through)					
<b>Applications</b>	Ducting of single or collective flue systems in positive pressure for C-type condensing appliances <b>MAX FLUE GAS TEMPERATURE ≤120°C</b>					
<b>Gasket</b>	Black EPDM elastomer 140°C Certified UNI EN 14241:2005 T140 - W2 - K2 - I					
<b>Admitted combustibles</b>	GAS - LIQUID					

### Certifications



- 1) CE certificate of conformity of control of the production processes in the factory Nr. **0694-CPR-4354**
- 2) Certificate of conformity VKF/AEAI Nr. **23486**
- 3) Declaration of performance CE marking N.11-DoP-01.07.2013
- 4) Test reports performed at Kiwa Italia S.p.A.
- 5) Insurance for civil responsibility on the products signed with ALLIANZ Nr. **75867477**
- 6) Download the full technical documentation from the website [www.stabile.it](http://www.stabile.it) in the corresponding section "Products"

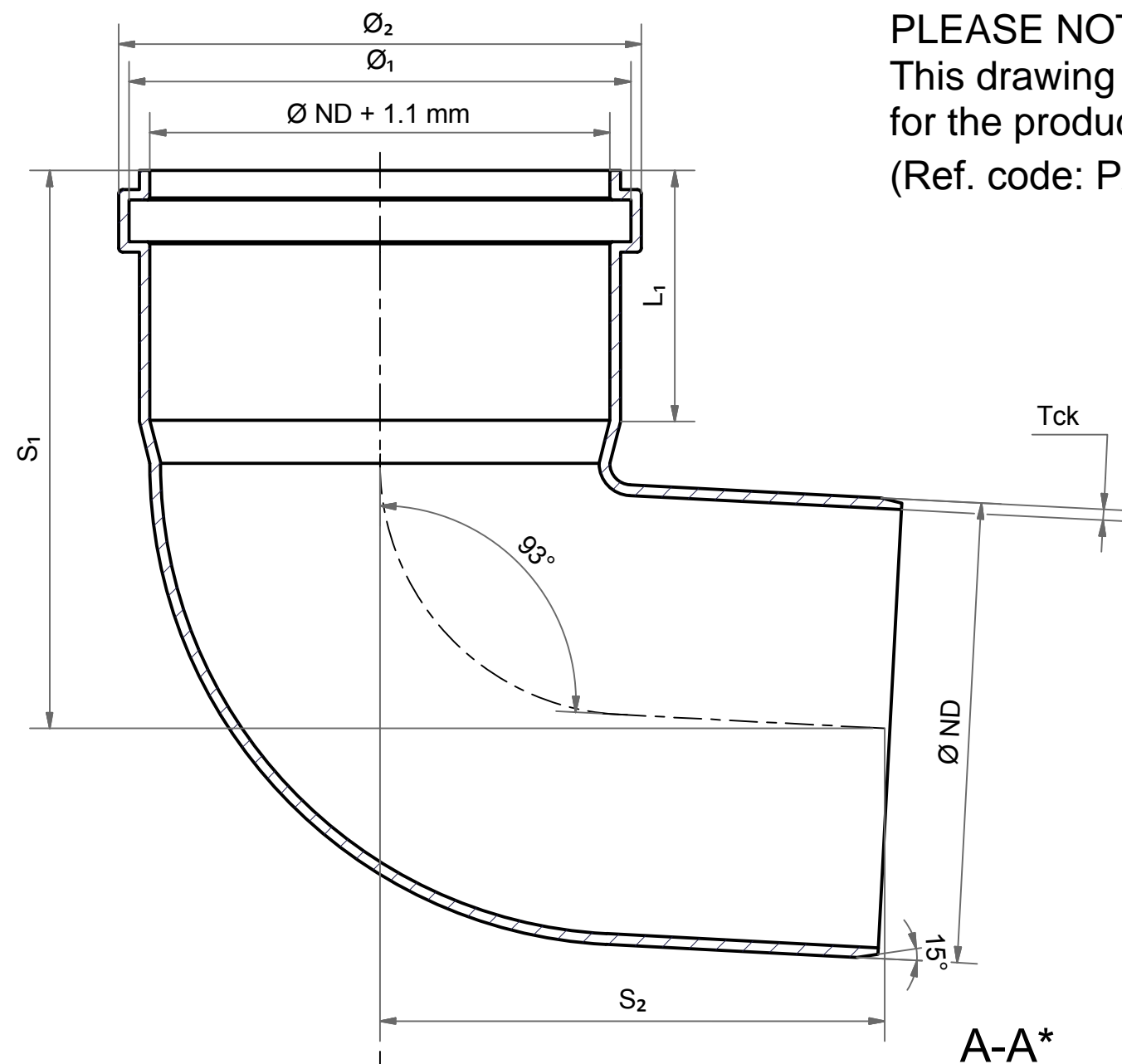


DESIGNED &  
MANUFACTURED  
IN ITALY

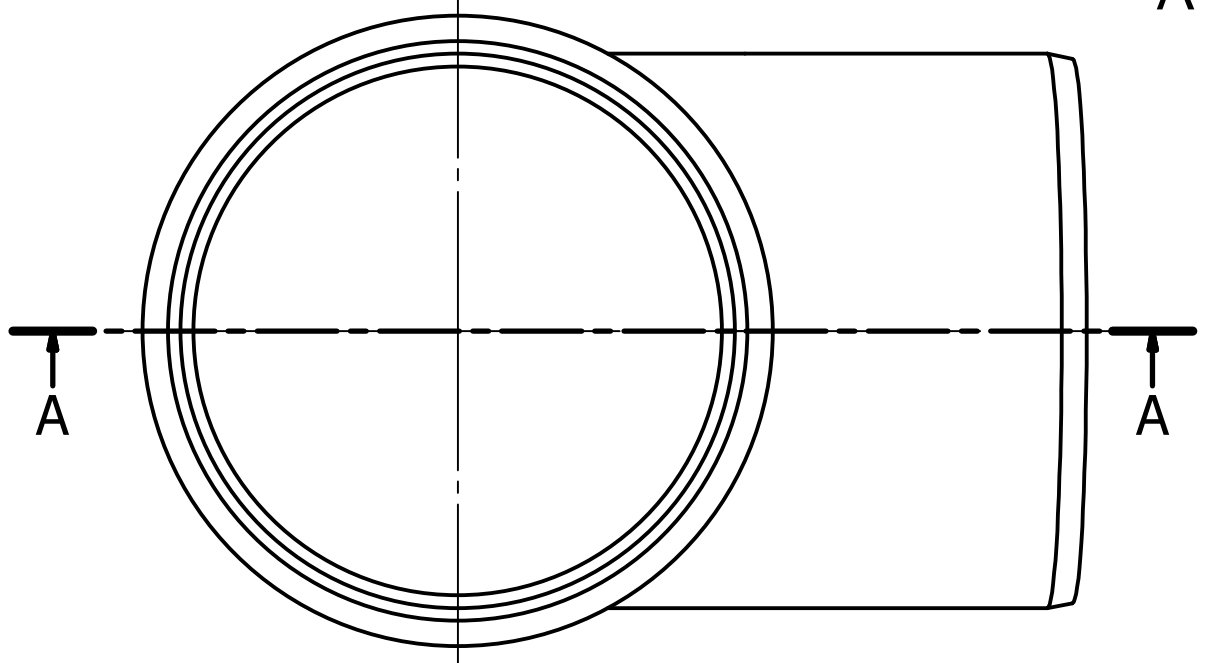
STABILE S.p.A. - 21055 Gorla Minore (VA) - Italy  
Via Fratelli Kennedy, 1 - Tel. 0331.366.193 - Fax 0331.366.021  
[www.stabile.it](http://www.stabile.it) - [info@stabile.it](mailto:info@stabile.it)

**STABILE**  
La Canna Fumaria

Version 2014



PLEASE NOTE:  
 This drawing is valid also  
 for the product in white PP Ø80  
 (Ref. code: PACNB 90 D80)



PACN 90 DXXX						
Ø ND	Ø1	Ø2	Tck	S1	S2	L1
60	68	72	2	100	100	55
80	90.5	94	2	110	110	60
110	121.5	126.5	2	135	125	60
125	126.5	143.5	3.5	145	135	60
160	172.5	182.5	4	195	175	85
200	210.5	220.5	4.5	285	285	110

TOLERANCE ±0.2 mm

Designed by AV	Checked by G.S	Approved by, date G.S.	Created 17/07/2009	Material	Weight Kg
		90° Elbow DXXX			
		Item: PACN 90 DXXX	Revision	Sheet 1 / 1	

\*For further info [qualita@stabile.it](mailto:qualita@stabile.it)