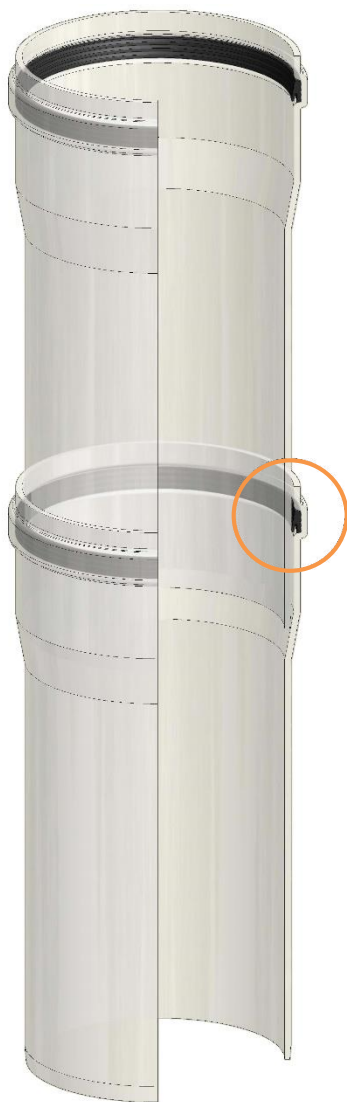


STABILE

La Canna Fumaria Technical sheet STABILE PA



| | | | | | | |
|---|---|-----------|--------------------------|-------|-----------|---------|
| Name | STABILE PA | | | | | |
| Description | Rigid single-wall system chimney | | | | | |
| Reference standard | EN 14471:2005 | | | | | |
| With gasket | Designation | Group 1 | T120-H1-O-W-2-O10-I-F-L1 | | | |
| | EN 14471:2005 | Group 2 | T120-H1-O-W-2-O20-I-F-L1 | | | |
| | Plastic chimneys | Group 3 | T120-H1-O-W-2-O40-I-F-L1 | | | |
| Group of diameter | Group 1 | | Group 2 | | | Group 3 |
| Nominal Diameter [mm] | 60 | 80 | 110 | 125 | 160 | 200 |
| Minimum thickness declared [mm] | 2 | 2 | 3 | 3.5 | 4 | 4.5 |
| Weight per meter L.1000 mm approx. [Kg/m] | 0.310 | 0.480 | 0.910 | 1.200 | 1.970 | 2.890 |
| Material specifications of flue duct | Homopolymer polypropylene PP H | | | | | |
| Performance data | | | | | | |
| Operating temperature in continuous regime | 120°C | | (T120) | | | |
| Operating pressure | 5000 Pa | | (H1) | | | |
| Resistance to soot fire | NO | | (O) | | | |
| Working with wet flue gases | YES | | (W) | | | |
| Resistance to corrosion | YES | | (2) | | | |
| Distance from combustible materials | Group 1 | Group 2 | | | Group 3 | |
| | O 10 [mm] | O 20 [mm] | | | O 40 [mm] | |
| Positioning | I [indoors] | | | | | |
| Reaction to fire | F | | | | | |
| Enclosure class | L1 (Shafts or ventilated technical areas with wooden joists passing through) | | | | | |
| Applications | Ducting of single or collective flue systems in positive pressure for C-type condensing appliances MAX FLUE GAS TEMPERATURE ≤120°C | | | | | |
| Gasket | Black EPDM elastomer 140°C Certified UNI EN 14241:2005 T140 - W2 - K2 - I | | | | | |
| Admitted combustibles | GAS - LIQUID | | | | | |

Certifications



- 1) CE certificate of conformity of control of the production processes in the factory Nr. **0694-CPR-4354**
- 2) Certificate of conformity VKF/AEAI Nr. **23486**
- 3) Declaration of performance CE marking N.11-DoP-01.07.2013
- 4) Test reports performed at Kiwa Italia S.p.A.
- 5) Insurance for civil responsibility on the products signed with ALLIANZ Nr. **75867477**
- 6) Download the full technical documentation from the website www.stabile.it in the corresponding section "Products"

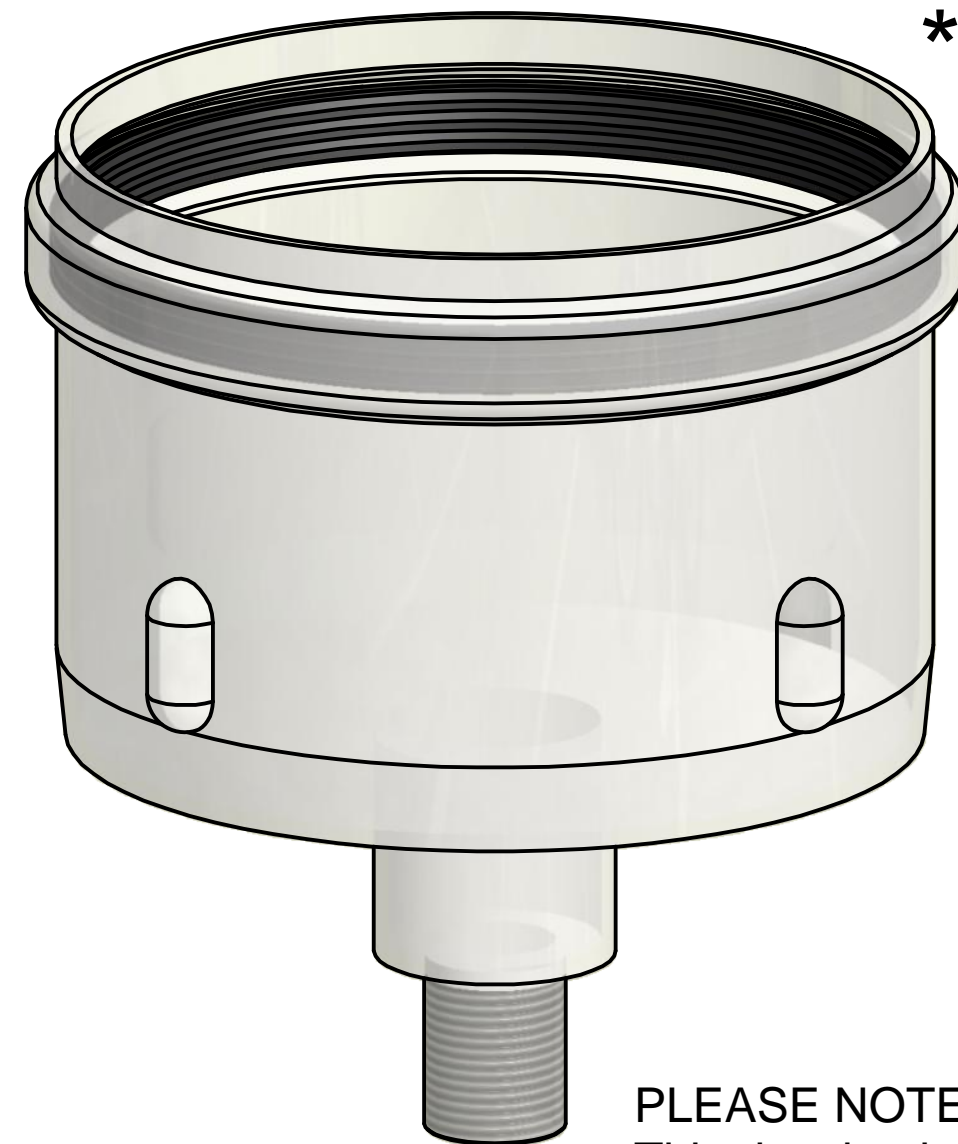
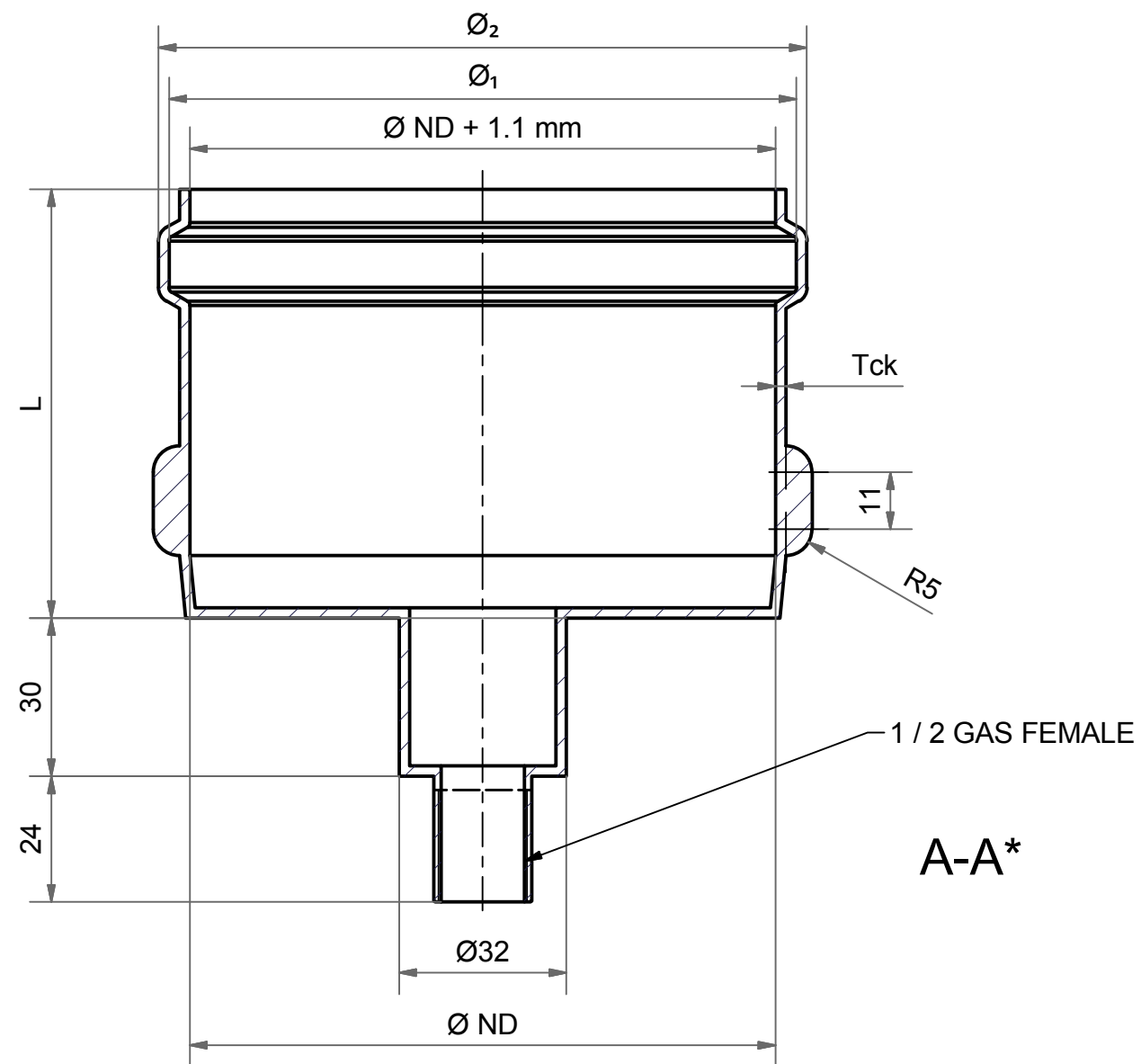


DESIGNED &
MANUFACTURED
IN ITALY

STABILE S.p.A. - 21055 Gorla Minore (VA) - Italy
Via Fratelli Kennedy, 1 - Tel. 0331.366.193 - Fax 0331.366.021
www.stabile.it - info@stabile.it

STABILE
La Canna Fumaria

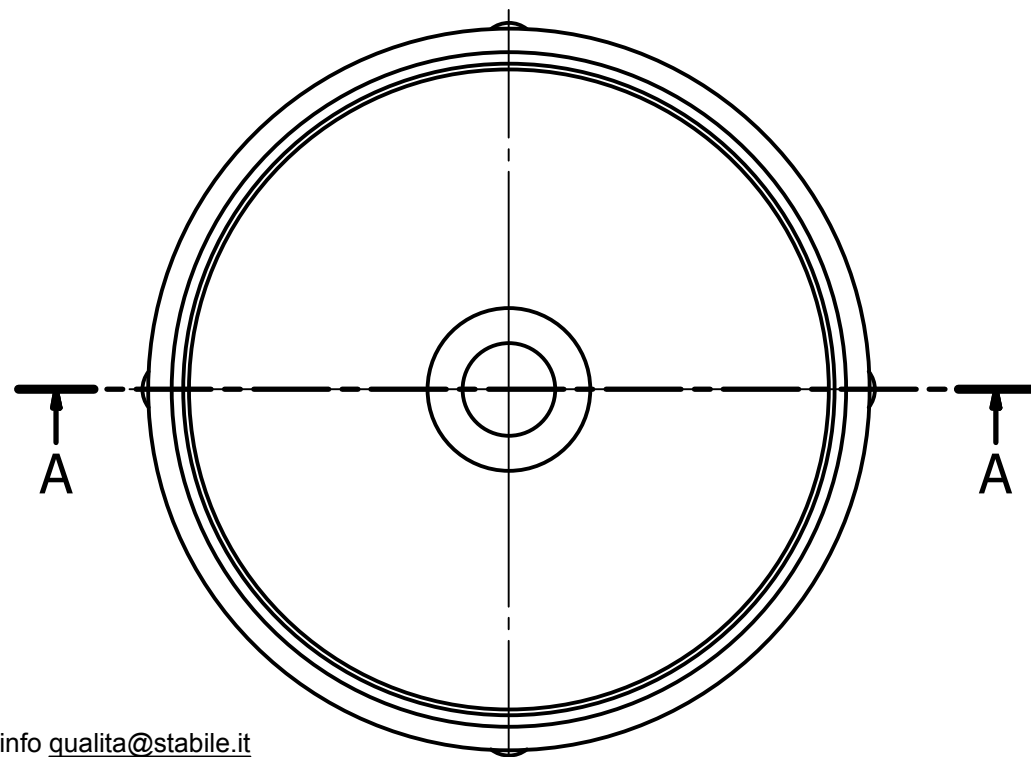
Version 2014



PLEASE NOTE:
This drawing is valid also
for the product in white PP
(Ref. code: PATCB 85 D80)

| PATC 85 D80 | | | | |
|-------------|----|-----|------|------|
| Ø ND | L | Tck | Ø1 | Ø2 |
| 80 | 70 | 2 | 90.5 | 94.5 |

TOLERANCE ±0.2 mm



*For further info qualita@stabile.it

| | | | | | |
|-------------------|------------------|-------------------------|----------------------------------|----------|----------------|
| Designed by AV | Checked by GS | Approved by, date GS | Created 23/09/2011 | Material | Weight Kg |
| | | | Condensation drain plug ND 80 mm | | |
| | | | Item: PATC 85 D80 | Revision | Sheet 1 / 1 |