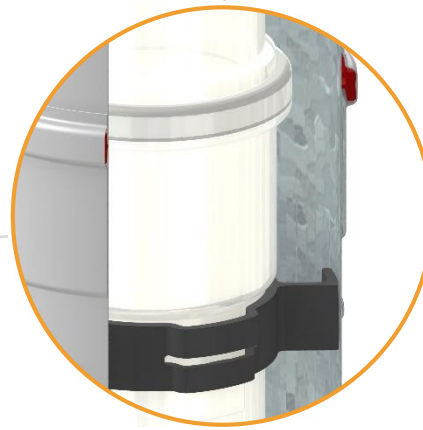


STABILE

La Canna Fumaria

Technical sheet



Name	STABILE PAC		
Description	Coaxial rigid system chimney with plastic flue duct		
Reference Standard	EN 14471:2005	Chimneys System chimneys with plastic flue ducts – Test requirements and methods	
Designation EN 14471:2005 Plastic chimneys	With gasket T120 – P1 – W – 1 – 0(00) – I – E – L0		
Group of diameter	Group 1		
Nominal Diameter (mm)	Internal diameter	External diameter	
	60	100	
Minimum thickness declared [mm]	2 mm	0.3 mm	

Material				
Material specifications of flue duct	Ø 60	Polypropylene PPH 2150		
Material specifications of air duct	Ø 100	Linear elements	Vertical starting	100
		Hot galvanized steel DX5TD	EN AW 6060	
Material specifications of components mainly used	Ø 100	Suction and exhaust grid in PPH2150 with ANTI-UV and 3% colorant additive. The aerodynamic shape designed and developed in the lab ensures a proper protection against weathering as wind and rain.		

Sealing gasket flue duct Ø60 [mm]	Sealing gasket in EPDM 60Sh. Colour: BLACK Certified EN 14241-1:2005 – T120 – W2 – K2 – I Notified body : MPA NRW – ITT N. 220004855-8		
--	---	--	--

Performance data	<i>With gasket</i>		
Operating temperature in continuous regime	120°C	(T120)	
Pressure class of flue duct [Ø60 mm]	200 Pa	(P1)	
Resistance to permeability	YES	(W)	
Resistance to corrosion	YES	(I)	
Resistance to soot fire	NO	(0)	
Distance from combustible materials	00 mm	(00)	
Positioning	I [indoors]		
Resistance to fire	E – in compliance with the Standard EN 13501-1:2002 A1		
Class of ducting	L0 – Non-combustible enclosure		
Thermal resistance	0.00 W/m²K		
Maximum horizontal inclination	≤87°		
Distance between supports	1.5 m between each wall support		
Resistance to UV rays	The terminals are UV resistant. The sections and the accessories are designed: I (indoor use)		

Admitted combustibles	Gas
------------------------------	-----

Certificates

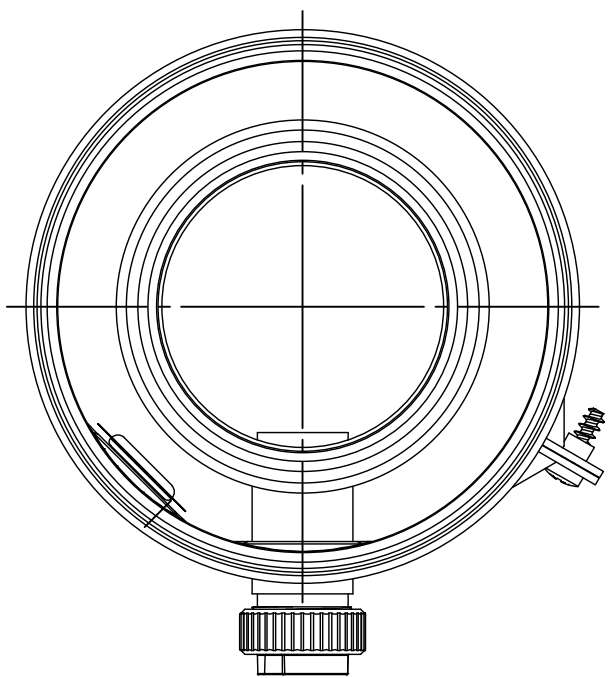
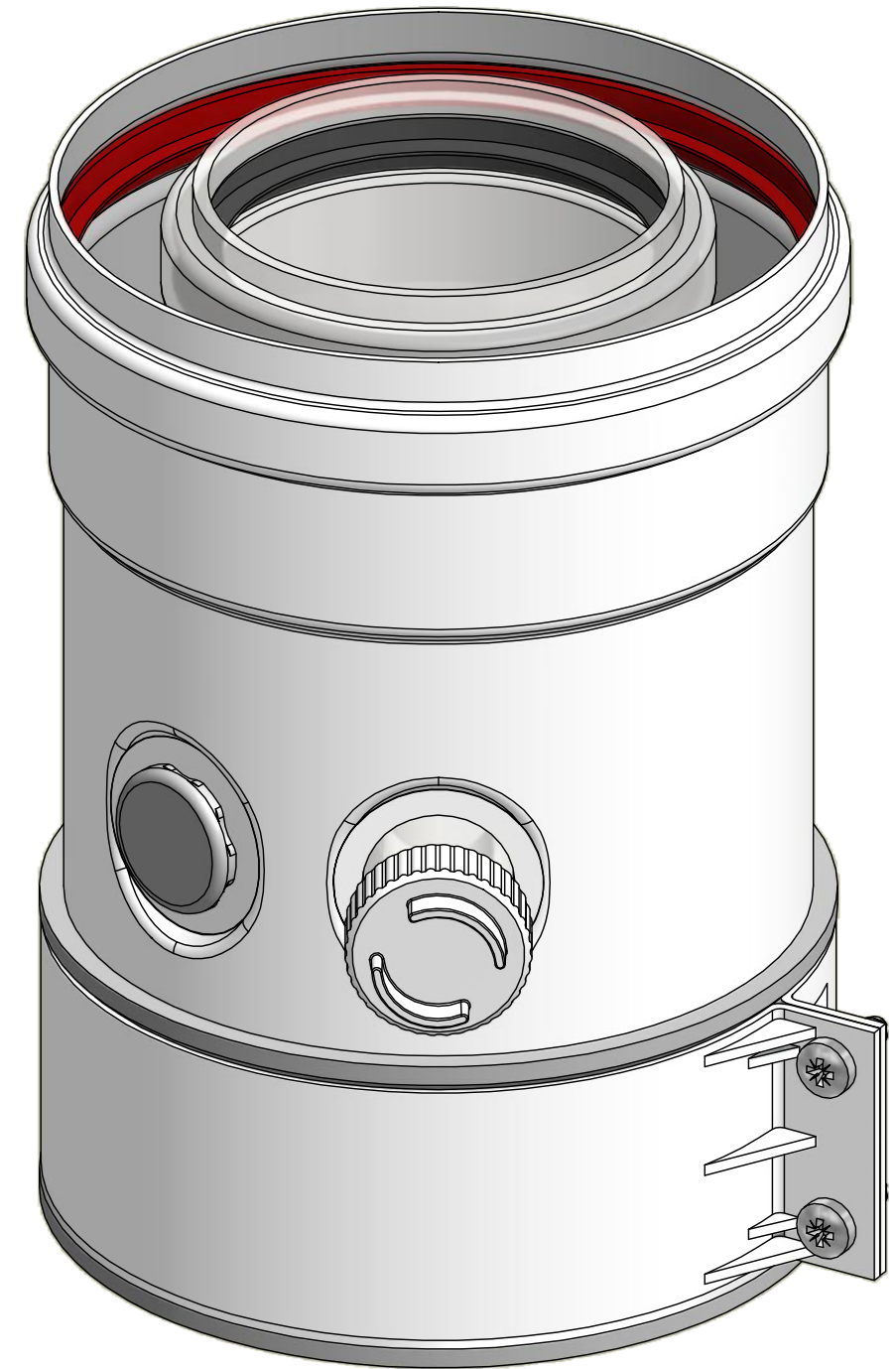
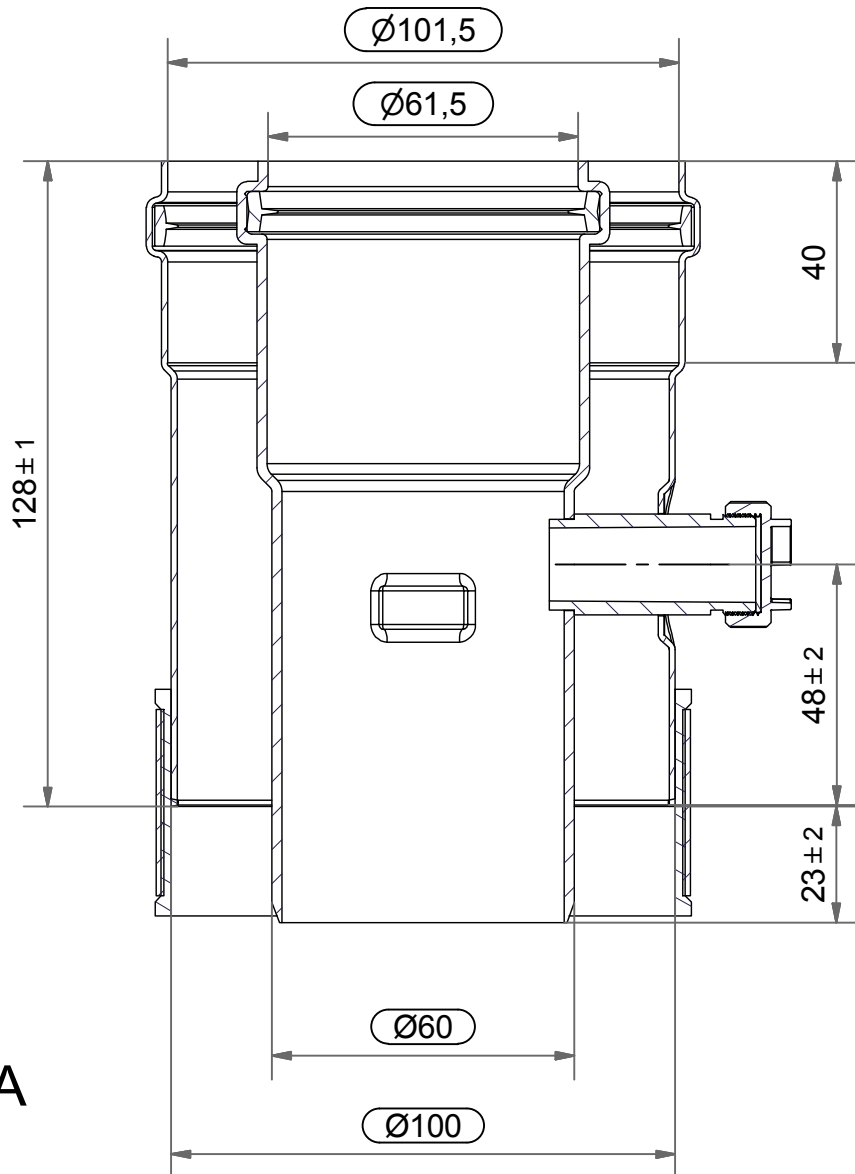
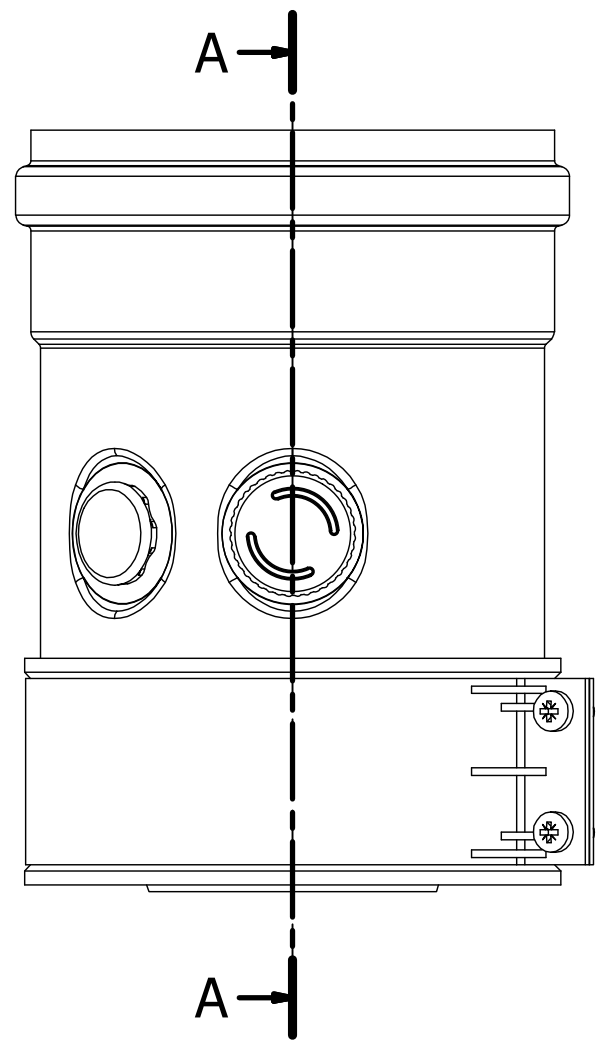



- 1) CE certificate of conformity of control of the production processes in the factory Nr. **0476-CPR-7031**
EN 14471:2005
- 2) Declaration of performance N.29-DoP-01.07.2013
- 3) Test reports performed at Kiwa Cermet Italia S.p.A.
- 4) Insurance (Civil responsibility and product) stipulated with ALLIANZ RAS Nr. **75867477**.
- 5) Download the full technical documentation from the website www.stabile.it in the corresponding section "Products".



DESIGNED & MANUFACTURED IN ITALY





Designed by A.V.	Checked by A.V.	Approved by, date G.S.	Created 16/10/2015	Material	Weight Kg
		PV3 - M/F cpaxial vertical starting pipe Ø60/100			Revision
		Item: PACPV 03 D60-100	Sheet 1 / 1		