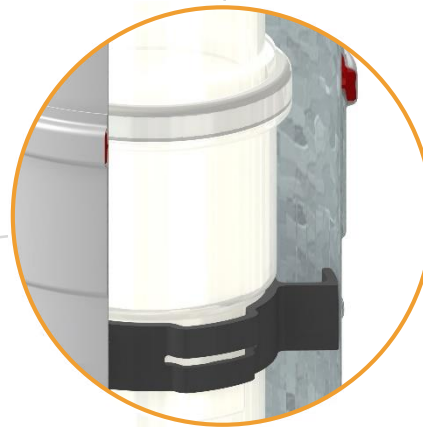


# STABILE

La Canna Fumaria

## Technical sheet



<b>Name</b>	<b>STABILE PAC</b>		
<b>Description</b>	Coaxial rigid system chimney with plastic flue duct		
<b>Reference Standard</b>	EN 14471:2005	Chimneys System chimneys with plastic flue ducts – Test requirements and methods	
<b>Designation</b> EN 14471:2005 Plastic chimneys	With gasket <b>T120 – P1 – W – 1 – 0(00) – I – E – L0</b>		
<b>Group of diameter</b>	Group 1		
Nominal Diameter (mm)	Internal diameter	External diameter	
	60	100	
Minimum thickness declared [mm]	2 mm	0.3 mm	

<i>Material</i>				
<b>Material specifications of flue duct</b>	Ø 60	Polypropylene PPH 2150		
<b>Material specifications of air duct</b>	Ø 100	Linear elements	Vertical starting	100
		Hot galvanized steel DX5TD	EN AW 6060	
<b>Material specifications of components mainly used</b>	Ø 100	Suction and exhaust grid in PPH2150 with ANTI-UV and 3% colorant additive. The aerodynamic shape designed and developed in the lab ensures a proper protection against weathering as wind and rain.		

<b>Sealing gasket flue duct Ø60 [mm]</b>	Sealing gasket in EPDM 60Sh. Colour: BLACK Certified EN 14241-1:2005 – T120 – W2 – K2 – I Notified body : MPA NRW – ITT N. 220004855-8		
--	---	--	--

<b>Performance data</b>	<i>With gasket</i>		
Operating temperature in continuous regime	120°C	<b>(T120)</b>	
Pressure class of flue duct [Ø60 mm]	200 Pa	<b>(P1)</b>	
Resistance to permeability	YES	<b>(W)</b>	
Resistance to corrosion	YES	<b>(I)</b>	
Resistance to soot fire	NO	<b>(0)</b>	
Distance from combustible materials	00 mm	<b>(00)</b>	
Positioning	I [indoors]		
Resistance to fire	E – in compliance with the Standard EN 13501-1:2002 A1		
Class of ducting	L0 – Non-combustible enclosure		
Thermal resistance	0.00 W/m²K		
Maximum horizontal inclination	≤87°		
Distance between supports	1.5 m between each wall support		
Resistance to UV rays	The terminals are UV resistant. The sections and the accessories are designed: I (indoor use)		

<b>Admitted combustibles</b>	Gas
------------------------------	-----

### Certificates

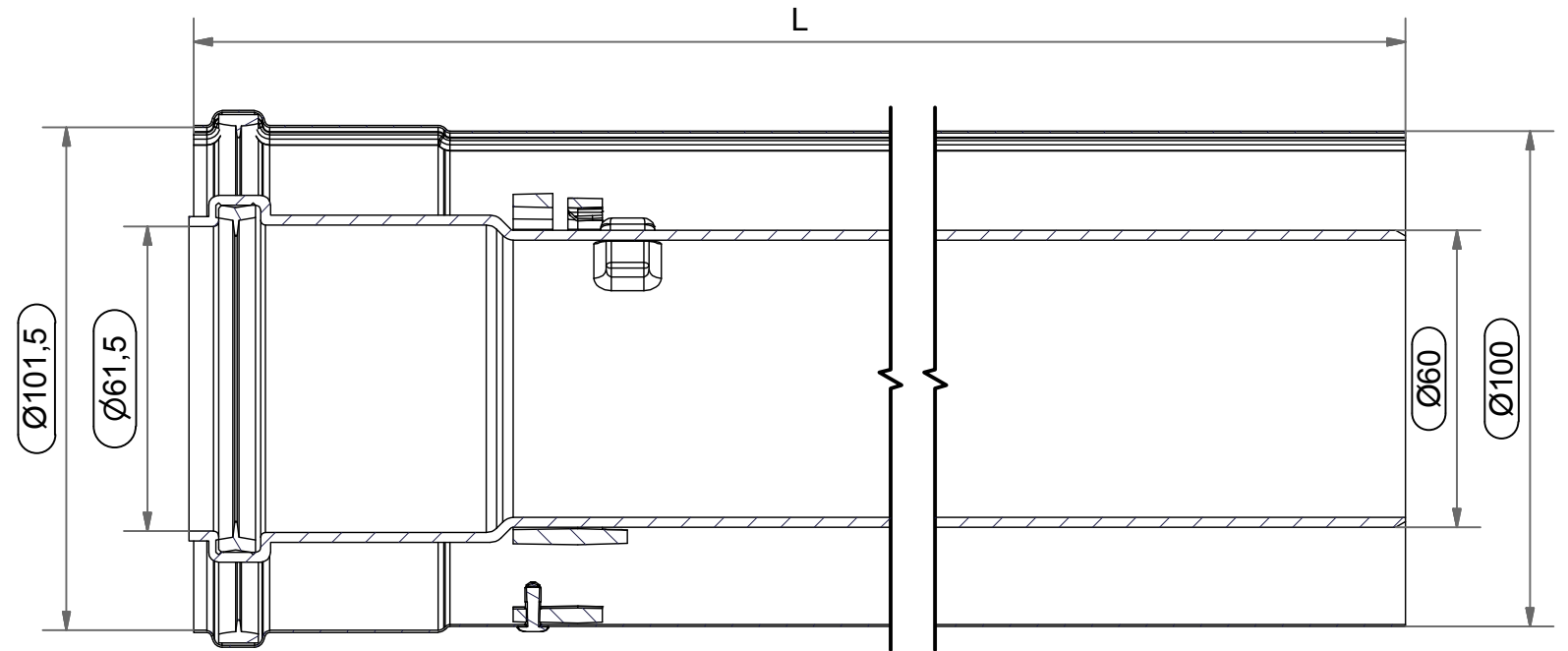
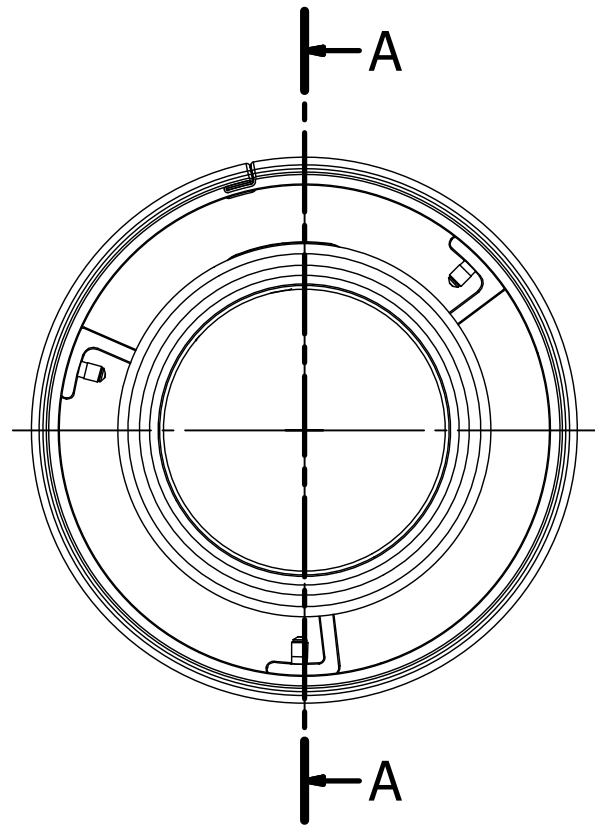


- 1) CE certificate of conformity of control of the production processes in the factory Nr. **0476-CPR-7031**  
**EN 14471:2005**
- 2) Declaration of performance N.29-DoP-01.07.2013
- 3) Test reports performed at Kiwa Cermet Italia S.p.A.
- 4) Insurance (Civil responsibility and product) stipulated with ALLIANZ RAS Nr. **75867477**.
- 5) Download the full technical documentation from the website [www.stabile.it](http://www.stabile.it) in the corresponding section "Products".

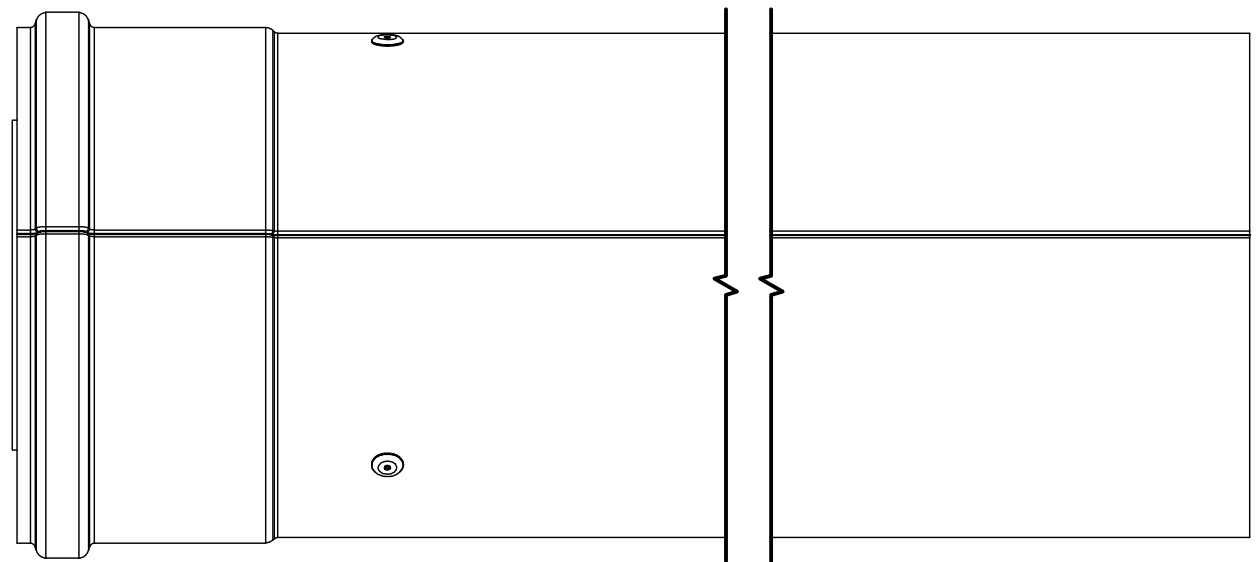
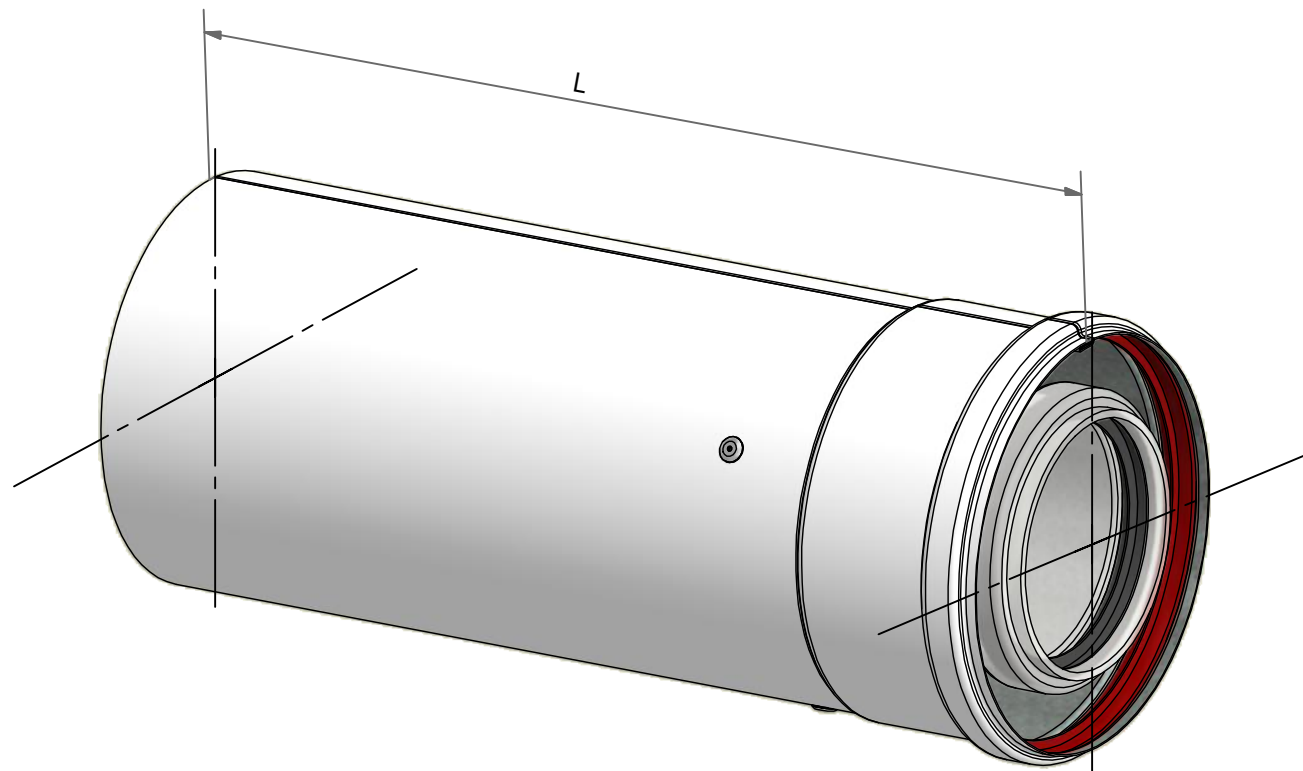


DESIGNED & MANUFACTURED IN ITALY





A-A ( 1 : 1.5 )



LIST PART - PACED 0X D60-100	
ITEM	L
PACED 03 D60-100	250
PACED 02 D60-100	500
PACED 01 D60-100	1000
PACED 04 D60-100	2000

Designed by A.V.	Checked by A.V.	Approved by, date G.S.	Created 17/10/2015	Material	Weight Kg
		M/F coaxial straight element Ø60/100 L.XXXX			
		Item: PACED 0X D60-100	Revision	Sheet	
				1 / 1	