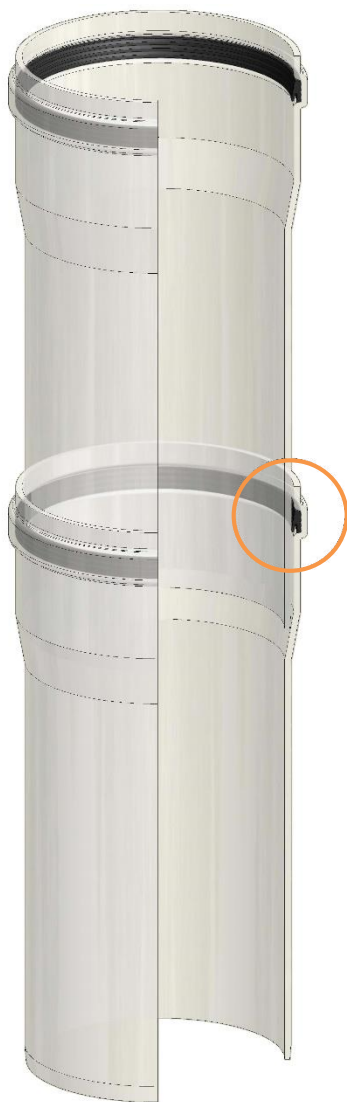


STABILE

La Canna Fumaria Technical sheet STABILE PA



| | | | | | | |
|---|---|-----------|--------------------------|-------|-----------|---------|
| Name | STABILE PA | | | | | |
| Description | Rigid single-wall system chimney | | | | | |
| Reference standard | EN 14471:2005 | | | | | |
| With gasket | Designation | Group 1 | T120-H1-O-W-2-O10-I-F-L1 | | | |
| | EN 14471:2005 | Group 2 | T120-H1-O-W-2-O20-I-F-L1 | | | |
| | Plastic chimneys | Group 3 | T120-H1-O-W-2-O40-I-F-L1 | | | |
| Group of diameter | Group 1 | | Group 2 | | | Group 3 |
| Nominal Diameter [mm] | 60 | 80 | 110 | 125 | 160 | 200 |
| Minimum thickness declared [mm] | 2 | 2 | 3 | 3.5 | 4 | 4.5 |
| Weight per meter L.1000 mm approx. [Kg/m] | 0.310 | 0.480 | 0.910 | 1.200 | 1.970 | 2.890 |
| Material specifications of flue duct | Homopolymer polypropylene PP H | | | | | |
| Performance data | | | | | | |
| Operating temperature in continuous regime | 120°C | | (T120) | | | |
| Operating pressure | 5000 Pa | | (H1) | | | |
| Resistance to soot fire | NO | | (O) | | | |
| Working with wet flue gases | YES | | (W) | | | |
| Resistance to corrosion | YES | | (2) | | | |
| Distance from combustible materials | Group 1 | Group 2 | | | Group 3 | |
| | O 10 [mm] | O 20 [mm] | | | O 40 [mm] | |
| Positioning | I [indoors] | | | | | |
| Reaction to fire | F | | | | | |
| Enclosure class | L1 (Shafts or ventilated technical areas with wooden joists passing through) | | | | | |
| Applications | Ducting of single or collective flue systems in positive pressure for C-type condensing appliances MAX FLUE GAS TEMPERATURE ≤120°C | | | | | |
| Gasket | Black EPDM elastomer 140°C Certified UNI EN 14241:2005 T140 - W2 - K2 - I | | | | | |
| Admitted combustibles | GAS - LIQUID | | | | | |

Certifications



- 1) CE certificate of conformity of control of the production processes in the factory Nr. **0694-CPR-4354**
- 2) Certificate of conformity VKF/AEAI Nr. **23486**
- 3) Declaration of performance CE marking N.11-DoP-01.07.2013
- 4) Test reports performed at Kiwa Italia S.p.A.
- 5) Insurance for civil responsibility on the products signed with ALLIANZ Nr. **75867477**
- 6) Download the full technical documentation from the website www.stabile.it in the corresponding section "Products"

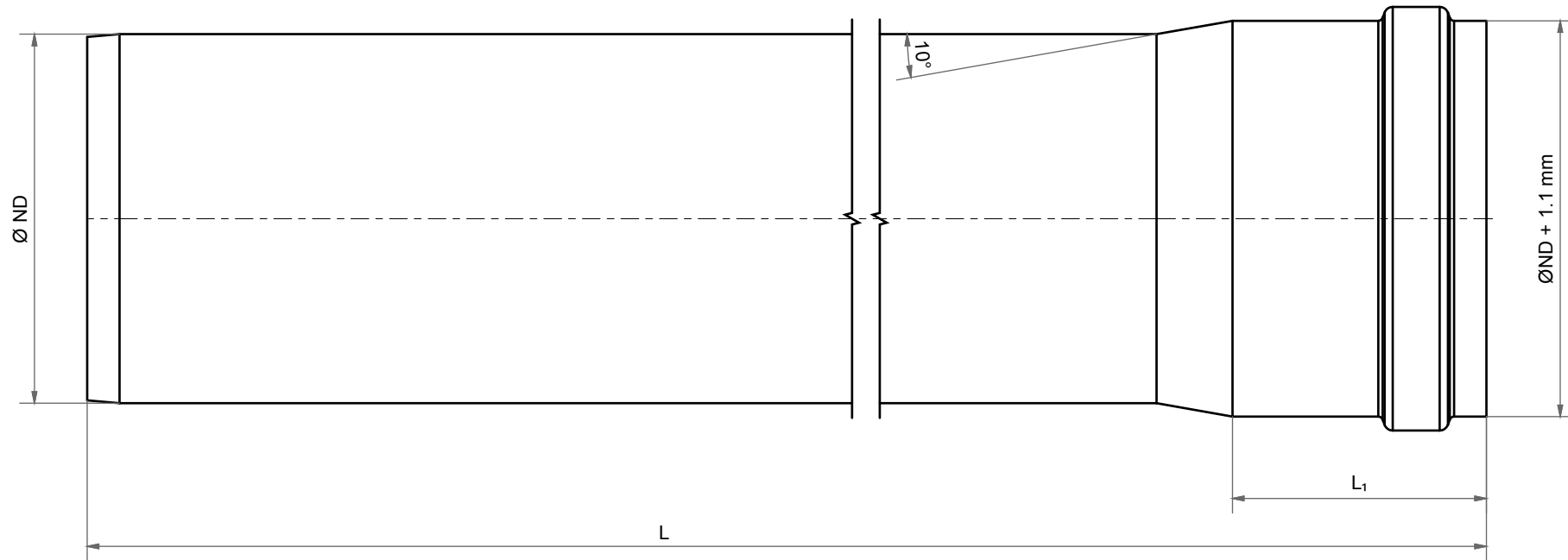


DESIGNED &
MANUFACTURED
IN ITALY

STABILE S.p.A. - 21055 Gorla Minore (VA) - Italy
Via Fratelli Kennedy, 1 - Tel. 0331.366.193 - Fax 0331.366.021
www.stabile.it - info@stabile.it

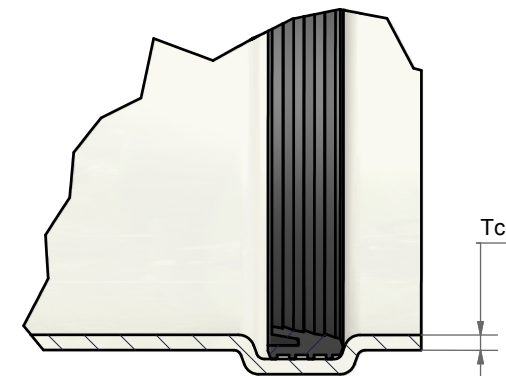
STABILE
La Canna Fumaria

Version 2014



| PAED (CODE XX)* | | | | | | |
|-----------------|-----|-----------|------------------|---------|---------|---------|
| Ø ND | Tck | L1+0.3 mm | L = TOTAL LENGHT | | | |
| | | | CODE 01 | CODE 02 | CODE 03 | CODE 04 |
| 60 | 2 | 55 | 1000 | 500 | 250 | 2000 |
| 80 | 2 | 65 | 1000 | 500 | 250 | 2000 |
| 110 | 2 | 65 | 1000 | 500 | 250 | 2000 |
| 125 | 3,5 | 70 | 1000 | 500 | 250 | 2000 |
| 160 | 4 | 70 | 1000 | 500 | 250 | 2000 |
| 200 | 4,5 | 115 | 1000 | 500 | 250 | 2000 |

All size are expresses in mm



PLEASE NOTE:
 This drawing is valid also
 for the product in white PP Ø80
 (Ref. code: PAEDB XX D80)

*For futher info qualita@stabile.it

TOLERANCE ±0.2 mm

| | | | | | |
|------------------------------------|--------------------|---------------------------|-------------------------|----------|-----------|
| Designed by A.V. | Checked by F.L. | Approved by, date G.S. | Created 28/11/2008 | Material | Weight Kg |
| STABILE Gas Flue Systems | | | Straight Element | | |
| | | | | | |