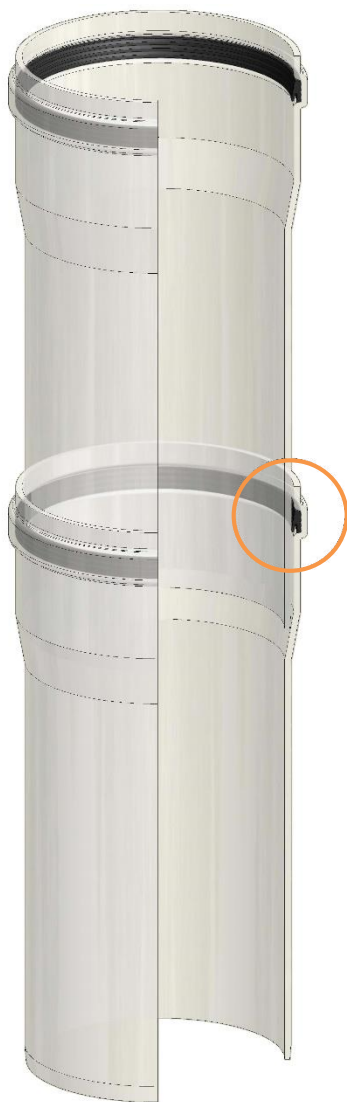


STABILE

La Canna Fumaria Technical sheet STABILE PA



Name	STABILE PA					
Description	Rigid single-wall system chimney					
Reference standard	EN 14471:2005					
With gasket	Designation	Group 1	T120-H1-O-W-2-O10-I-F-L1			
	EN 14471:2005	Group 2	T120-H1-O-W-2-O20-I-F-L1			
	Plastic chimneys	Group 3	T120-H1-O-W-2-O40-I-F-L1			
Group of diameter	Group 1		Group 2			Group 3
Nominal Diameter [mm]	60	80	110	125	160	200
Minimum thickness declared [mm]	2	2	3	3.5	4	4.5
Weight per meter L.1000 mm approx. [Kg/m]	0.310	0.480	0.910	1.200	1.970	2.890
Material specifications of flue duct	Homopolymer polypropylene PP H					
Performance data						
Operating temperature in continuous regime	120°C		(T120)			
Operating pressure	5000 Pa		(H1)			
Resistance to soot fire	NO		(O)			
Working with wet flue gases	YES		(W)			
Resistance to corrosion	YES		(2)			
Distance from combustible materials	Group 1	Group 2	Group 3			
	O 10 [mm]	O 20 [mm]	O 40 [mm]			
Positioning	I [indoors]					
Reaction to fire	F					
Enclosure class	L1 (Shafts or ventilated technical areas with wooden joists passing through)					
Applications	Ducting of single or collective flue systems in positive pressure for C-type condensing appliances MAX FLUE GAS TEMPERATURE ≤120°C					
Gasket	Black EPDM elastomer 140°C Certified UNI EN 14241:2005 T140 - W2 - K2 - I					
Admitted combustibles	GAS - LIQUID					

Certifications



- 1) CE certificate of conformity of control of the production processes in the factory Nr. **0694-CPR-4354**
- 2) Certificate of conformity VKF/AEAI Nr. **23486**
- 3) Declaration of performance CE marking N.11-DoP-01.07.2013
- 4) Test reports performed at Kiwa Italia S.p.A.
- 5) Insurance for civil responsibility on the products signed with ALLIANZ Nr. **75867477**
- 6) Download the full technical documentation from the website www.stabile.it in the corresponding section "Products"



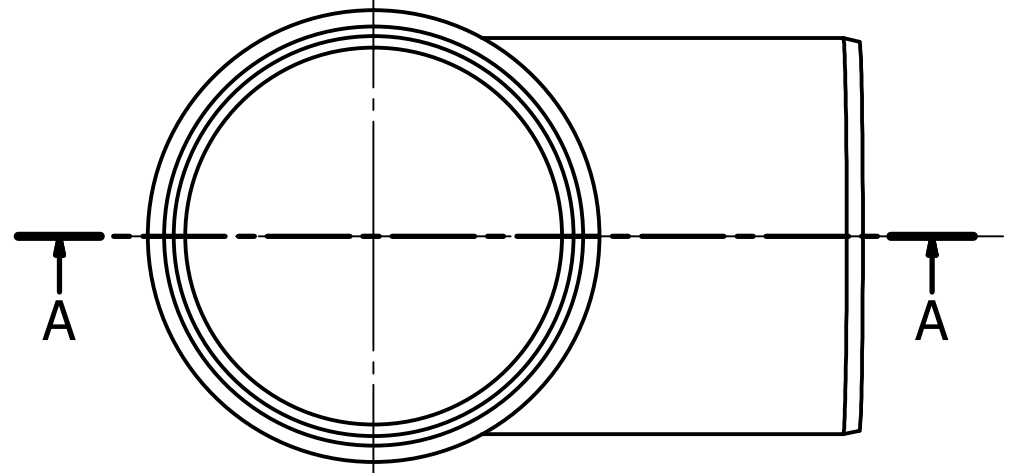
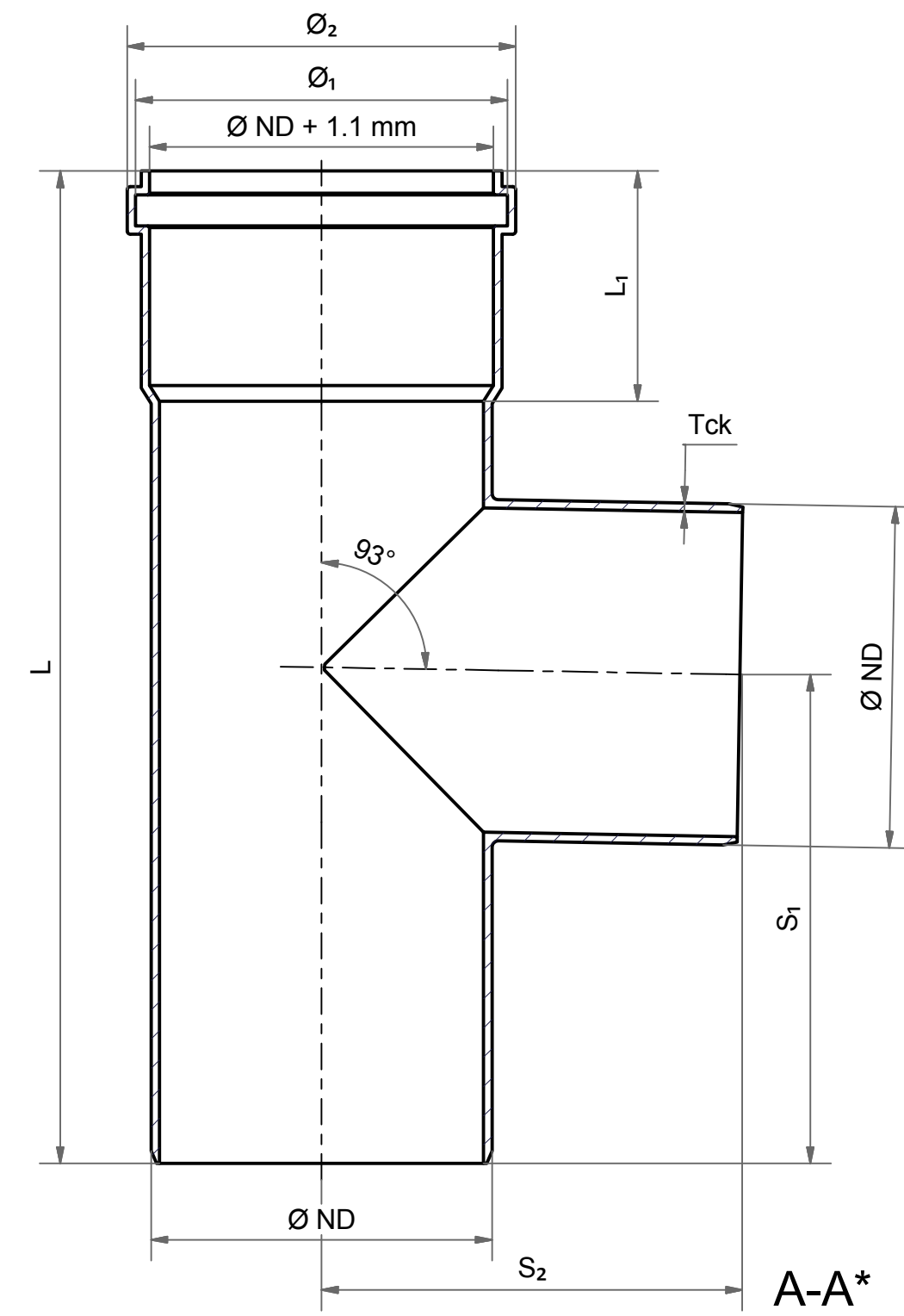
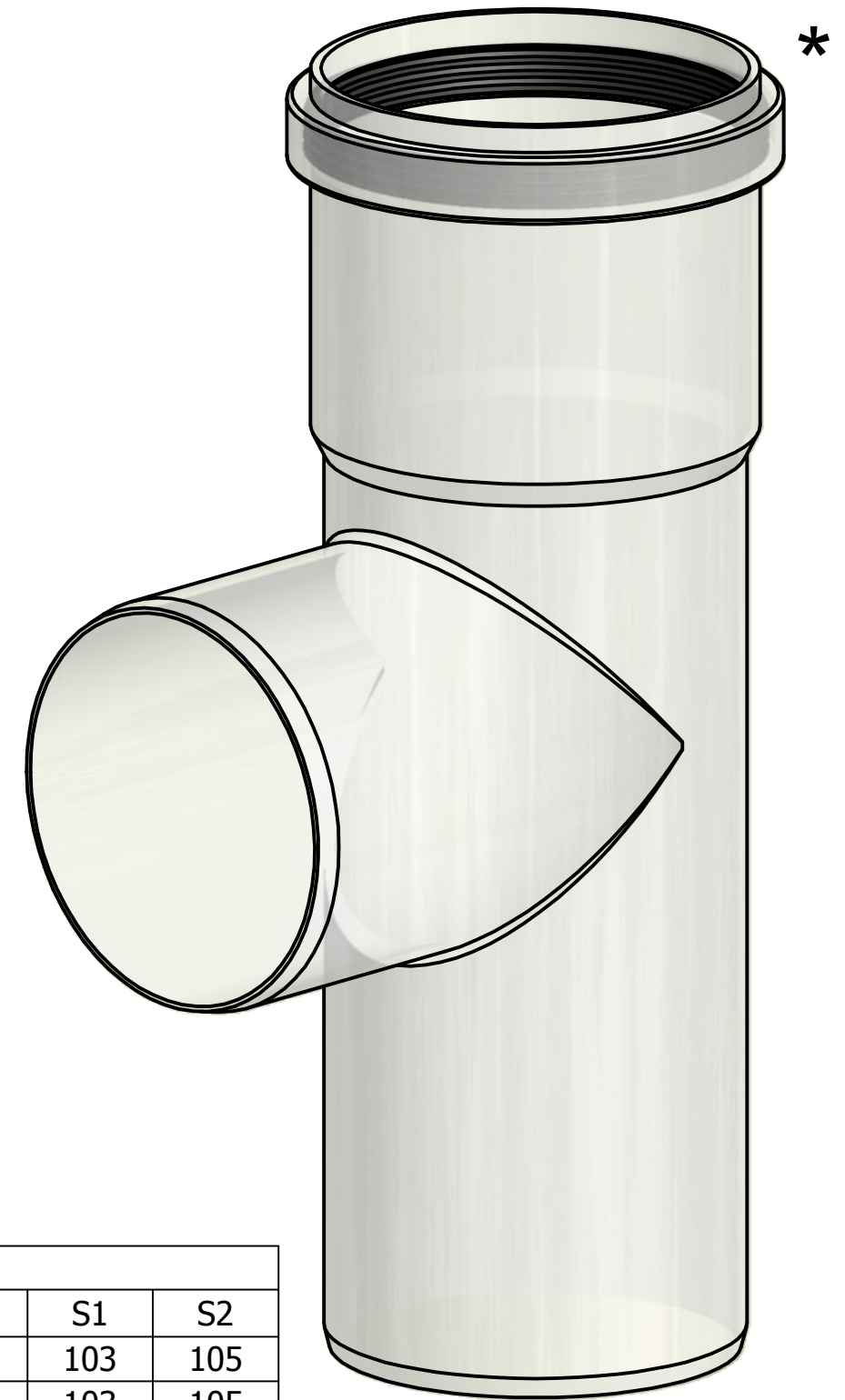
DESIGNED &
MANUFACTURED
IN ITALY

STABILE S.p.A. - 21055 Gorla Minore (VA) - Italy
Via Fratelli Kennedy, 1 - Tel. 0331.366.193 - Fax 0331.366.021
www.stabile.it - info@stabile.it

STABILE
La Canna Fumaria

Version 2014

PLEASE NOTE:
 This drawing is valid also
 for the product in white PP Ø80
 (Ref. code: PARTB 07 D80)



PART 07 DXXX							
Ø ND	L	L1	Ø1	Ø2	Tck	S1	S2
60	226	65	70.2	74.2	2	103	105
80	250	65	90.5	94.4	2	103	105
110	243	65	121.5	127.5	2	115	160
125	324	85	135	144	3.5	150	170
160	345	95	179.5	183.5	4	170	180
200	345	115	210.5	220.5	4.5	250	260

TOLERANCE ±0.2 mm

Designed by AV	Checked by GS	Approved by, date GS	Created 23/09/2011	Material	Weight Kg
		90° Tee			
		Item: PART 07 DXXX	Revision	Sheet 1 / 1	

*For further info qualita@stabile.it