



**SALUS**  
CONTROLS

# WQ610RF

Quantum Thermostat



The NEW Quantum WQ610RF thermostat is the latest innovative addition to the SALUS portfolio. This sleek and stylish thermostat is the slimmest on the market at only 10mm thick. It has a long battery life, thanks to its state of the art built in rechargeable lithium battery. All WQ610RF thermostats include a pre-paired receiver and are linked via Zigbee 2.4 GHz communication.

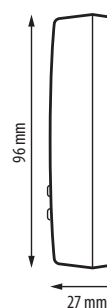
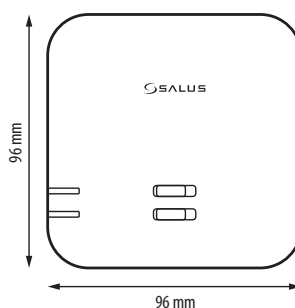
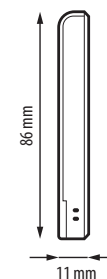
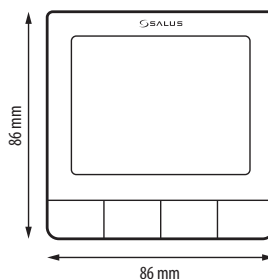
With innovation, science and quality in one, the new Quantum WQ610RF thermostat is feature packed to ensure that your clients have perfect control over their heating system.

### Characteristics

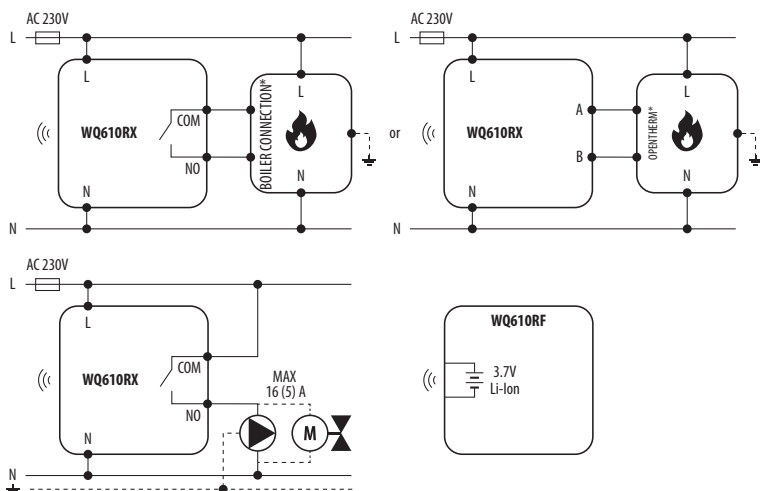
- Factory-paired set and ready for operation
- Option to select hysteresis or built-in ITLC algorithm for all types of heating
- Works according to time schedules
- Has a service mode protected with a PIN code
- Maximum / minimum temperature limitation
- Can temporarily change the temperature (overwriting to the next program changes)
- Unique transmission codes
- Operates at the frequency of 2.4 GHz - a stable and interference-resistant signal
- 5 year warranty

### Features

Product	Quantum Thermostat
Power supply	230 V AC 50 Hz
Temperature scale	5°C ~ 35°C
Dimensions (mm)	86 x 86 x 11
Regulator	
Receiver	96 x 96 x 27
Communication	Wireless, 2.4 GHz



### Connection scheme



Date/Version  
05/21 - V001

SALUS Controls UK | [www.salus-controls.com/uk](http://www.salus-controls.com/uk)