

411TE



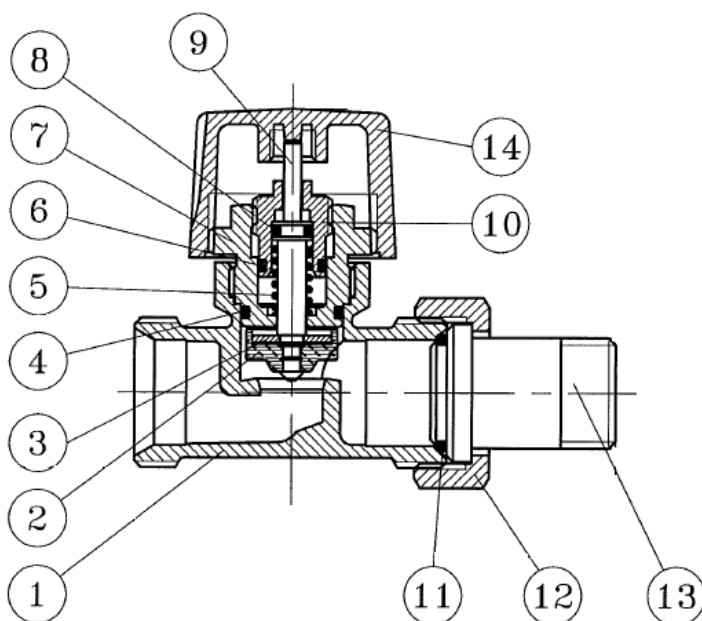
STRAIGHT EUROCONUS THERMOSTATIC RADIATOR VALVE

TECHNICAL SPECIFICATIONS

| | |
|-------------------------|-------------------------------------|
| WORKING PRESSURE | 10 BAR |
| MAX WORKING TEMPERATURE | 100 °C |
| THREADS | ISO 228 |
| CONNECTION FOR | COPPER, MULTILAYER AND PEX PIPES |

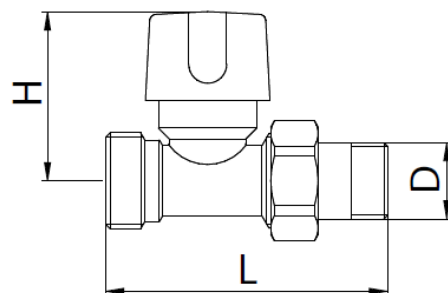


MATERIALS



OVERALL DIMENSIONS

| D | H | L |
|-----|----|----|
| 1/2 | 49 | 74 |



| POS. | DESCRIPTION | N. | MATERIAL |
|------|-------------|----|-----------------------------------|
| 1 | BODY | 1 | CW617N UNI EN 12165 NICKEL PLATED |
| 2 | GASKET | 1 | EPDM |
| 3 | METAL RING | 1 | CW614N UNI EN 12164 |
| 4 | O-RING | 1 | EPDM |
| 5 | SPRING | 1 | ANSI 302 UNI ISO 6931 |
| 6 | O-RING | 1 | EPDM |
| 7 | BONNET | 1 | CW614N UNI EN 12164 |
| 8 | O-RING | 1 | EPDM |
| 9 | PIN | 1 | CW614N UNI EN 12164 |
| 10 | JACKET | 1 | CW614N UNI EN 12164 |
| 11 | O-RING | 1 | EPDM |
| 12 | NUT | 1 | CW617N UNI EN 12165 NICKEL PLATED |
| 13 | TANG | 1 | CW617N UNI EN 12165 NICKEL PLATED |
| 14 | CAP | 1 | ABS |

