

# 422R - 422RM

## ANGLE BALL VALVE MF WITH PIPE UNION, BUTTERFLY HANDLE



### TECHNICAL FEATURES

WORKING TEMPERATURE	0°C -110°C (32°F-230°F)
THREADS	ISO 228
AVAILABLE DIMENSIONS	1/2" - 3/4" - 1" (ART.422R) 1" (ART.422RM)

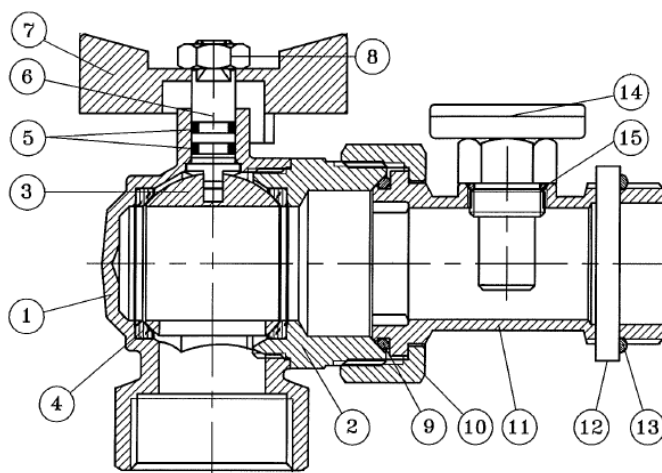
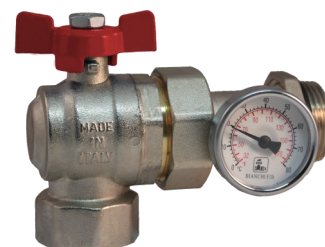
422RM SERIES WITH THERMOMETER

TO BE USED IN TOTALLY OPEN/CLOSED POSITION

### SERIE 422R



### SERIE 422RM



POS.	DESCRIPTION	N.	MATERIAL	TREATMENT
1	BODY	1	CW617N UNI EN 12165	NICKELED
2	UNION	1	CW617N UNI EN 12165	NICKELED
3	BALL	1	CW617N/CW614N	CHROMED
4	SEAT	2	PTFE	
5	O-RING	1	NBR	
6	STEM	1	CW617N UNI EN 12165	
7	T-HANDLE	1	Al EN-AB 46100	PAINTED
8	NUT	1	Fe	ZINC COATED
9	O-RING	1	NBR	
10	NUT	1	CW617N UNI EN 12165	NICKELED
11	DADO	1	CW617N UNI EN 12165	NICKELED
12	BRASS RING	1	CW617N UNI EN 12165	NICKELED
13	O-RING	1	NBR	
14	THERMOMETER	1	/	
15	O-RING		NBR	



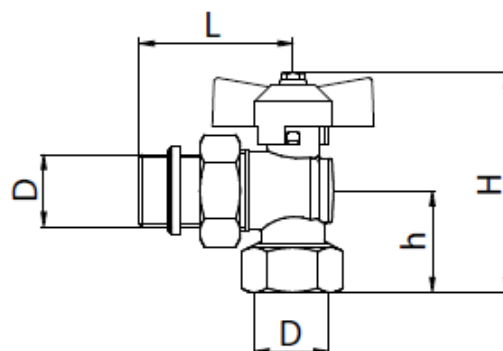
## NOMINAL PRESSURE

	1/4"	3/8"	1/2"	3/4"	1"	1 1/4"	1 1/2"	2"	3"	4"
PN	-	-	25	25	25	-	-	-	-	-

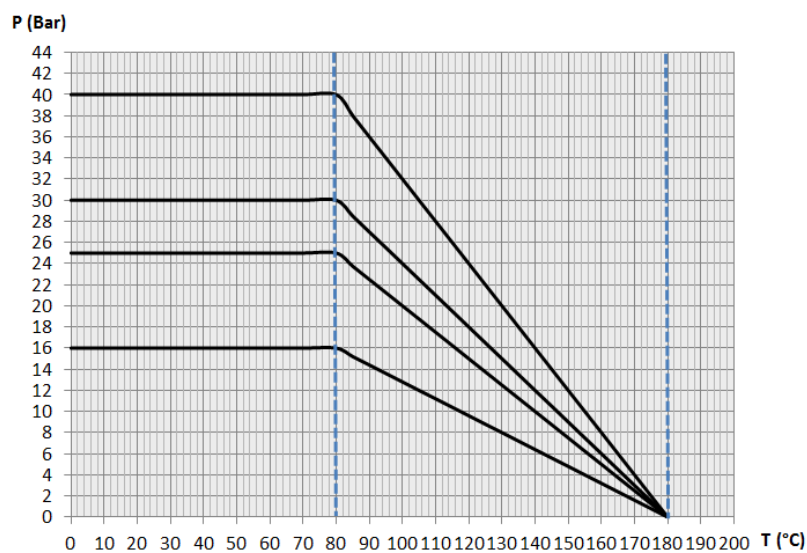
## OVERALL DIMENSIONS

ART.422R			
D	H	L	h
1/2"	78	55,5	36
3/4"	83	65	39
1"	90	69	42,5

ART.422RM			
D	H	L	h
1"	90	94	42,5



## PRESSURE/TEMPERATURE DIAGRAM





## FLUID CHARACTERISTICS

---

IN ORDER TO GRANT PRODUCT WARRANTY, THE QUALITY OF THE WATER CONTAINED IN THE SYSTEM HAS TO BE IN CONFORMITY WITH THE RULES IN FORCE IN THE COUNTRY OF RELEVANCE OR AT LEAST TO PRESENT FEATURES NOT LESS THAN THOSE PRESCRIBED BY ITALIAN NORM UNI 8065:2019.

AS GENERAL MINIMUM INDICATIONS, AT LEAST THE FOLLOWING PARAMETERS HAVE TO BE RESPECTED:

ASPECT:	LIMPID
PH:	> 7 & < 8,5
IRON (FE):	< 0,5 MG/KG
COPPER (CU):	< 0,1 MG/KG
ANTIFREEZE (*):	PASSIVATED PROPYLENE GLYCOL
CONDITIONING (*):	IN THE RESPECT OF THE CONCENTRATIONS INDICATED BY THE PRODUCER

(\*) ANYWAY, IN CASE OF USE OF ADDITIVES OR CONDITIONING SUBSTANCES, YOU WILL HAVE TO PREVENTIVELY VERIFY THE COMPATIBILITY OF THE SUBSTANCES YOU INTEND TO USE WITH RESPECT TO THE CONSTRUCTION MATERIALS STATED IN THIS TECHNICAL DOCUMENT FOR ALL OUR PRODUCTS.

