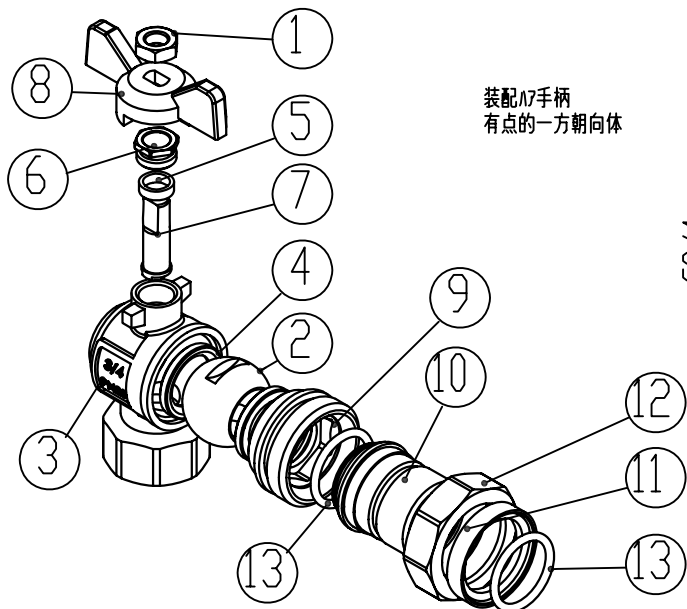
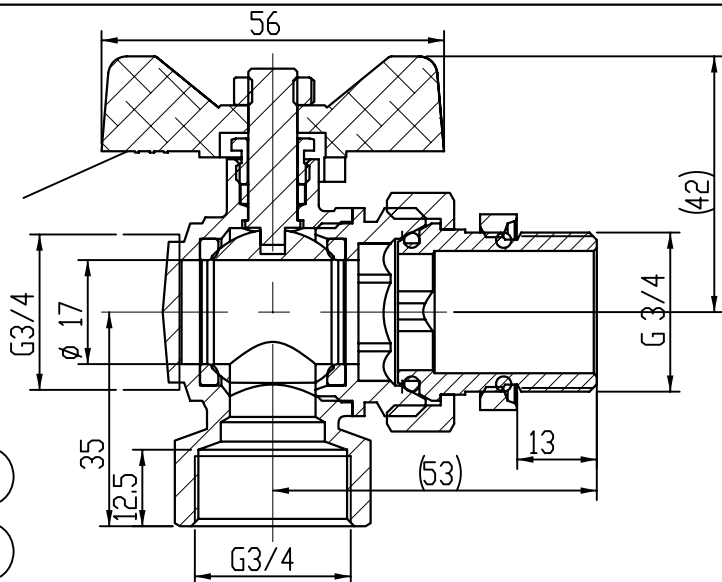


FN:



装配A7手柄
有的一方向向体



13	3M0139002601	o-ring	EPDM	2		
12	2M1508040803	whion nut	CW617N	1		
11	WTM-1000-06QF-06	fix nut	CW617N	1		
10	WTM-1000-06QF-05	whion	CW617N	1		
9	WTM-1000-06QF-04	bonnet	CW617N	1		
8	3B0330250409	handle	AL	1		
7	3C1203120801	stem	HPb58-2A	1		
6	3F0203121201	packing nut	HPb58-2A	1		
5	3D0241001001	stuffing	PTFE	1		
4	3D0141002401	seat	PTFE	2		
3	WTM-1000-06QF-01B	ball	CW617N	1		
2	3A0303172701	body	HPb58-2A	1		
1	3H0135130802	nut	Q235	1		
NO.	P/N	NAME OF PARTS	MATERIAL	QTY		

assembly drawing

DESCRIPTION:

3/4"
F x M 90°ball valve

ITEM NO.

40510997

ZHEJIANG WTM COPPER CO.,LTD.