

528M



BALL VALVE WITH MALE CONNECTION AND FEMALE SLIDING NUT

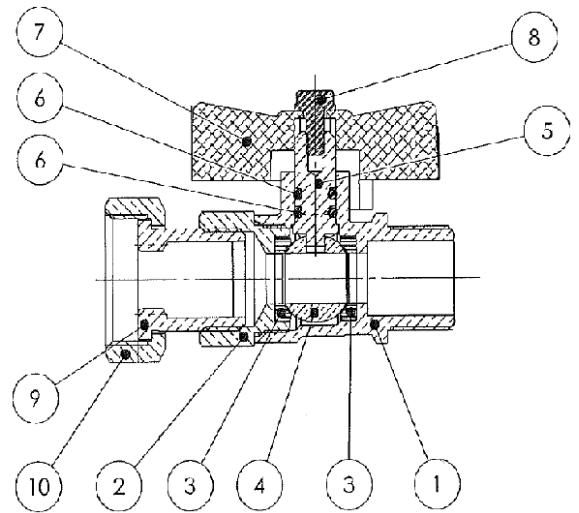
TECHNICAL SPECIFICATIONS

WORKING TEMPERATURE:	-20°C ÷ +60°C
WORKING PRESSURE:	MOP5
THREADS:	ISO 228
FINISH:	NICHELATA
TO BE USED IN TOTALLY OPEN/CLOSE POSITION	



MATERIALS

POS.	DESCRIZIONE	N.	MATERIALE
1	BODY	1	BRASS CW617N NICKEL PLATED
2	UNION	1	BRASS CW617N NICKEL PLATED
3	SEAT	2	PTFE
4	BALL	1	BRASS CW614N CHROMED
5	STEAM	1	BRASS CW614N
6	O-RING	2	NBR
7	HANDLE	1	ALUMINUM
8	SCREW	1	STEEL
9	TANG	1	BRASS CW617N NICKEL PLATED
10	NUT	1	BRASS CW617N NICKEL PLATED



OVERALL DIMENSIONS

D	D1	H	L
1/2"	1/2"	44	68
1/2"	3/4"	44	69
3/4"	3/4"	42	76

