

435B



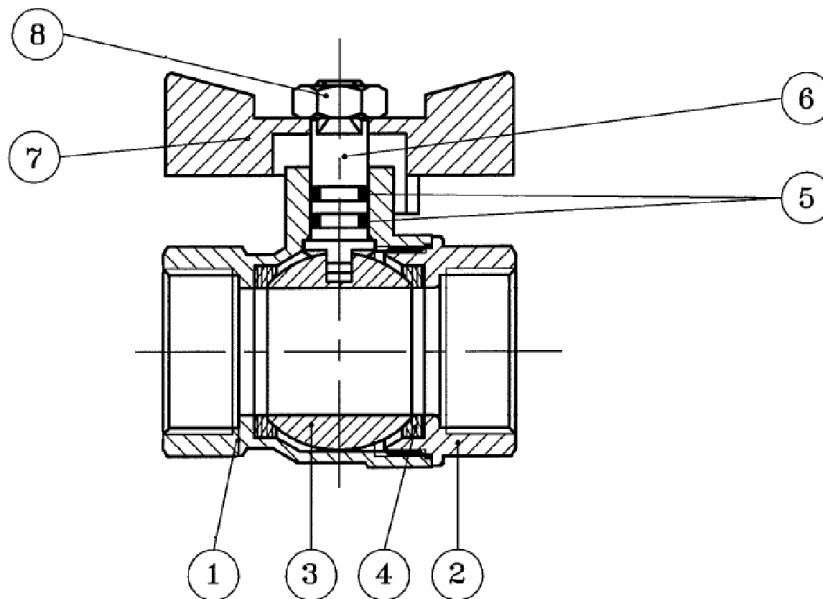
FEMALE-FEMALE VALVE WITH T-HANDLE

TECHNICAL SPECIFICATIONS

WORKING TEMPERATURE: 0°C - 110°C (32°F-230°F)
THREADS: ISO 228
DIMENSIONS: FROM 1/2" TO 1"
TO BE USED IN TOTALLY OPEN/CLOSE POSITION



MATERIALS



POS.	DESCRIPTION	N.	MATERIAL
1	BODY	1	CW617N UNI EN 12165 NICKEL PLATED
2	UNION	1	CW617N UNI EN 12165 NICKEL PLATED
3	BALL	1	CW617N UNI EN 12165 CHROMED
4	SEAT	2	PTFE
5	O-RING	2	NBR
6	STEM	1	CW614N UNI EN 12164
7	LEVER HANDLE	1	ALUMINUM
8	NUT	1	STEEL





NOMINAL PRESSURE

	1/4"	3/8"	1/2"	3/4"	1"	1 1/4"	1 1/2"	2"	3"	4"
PN	-	-	25	25	25	-	-	-	-	-

OVERALL DIMENSIONS

ØD	L	M	H
1/2"	50	54	42
3/4"	56	54	45
1"	67	64	51

