



**Field of application**

• Max. working pressure at 20°C with water:  
1.6 Mpa (16 Bar)

• Max. working temperature for water: 90 °C  
• Min. working temperature for water: -5 °C



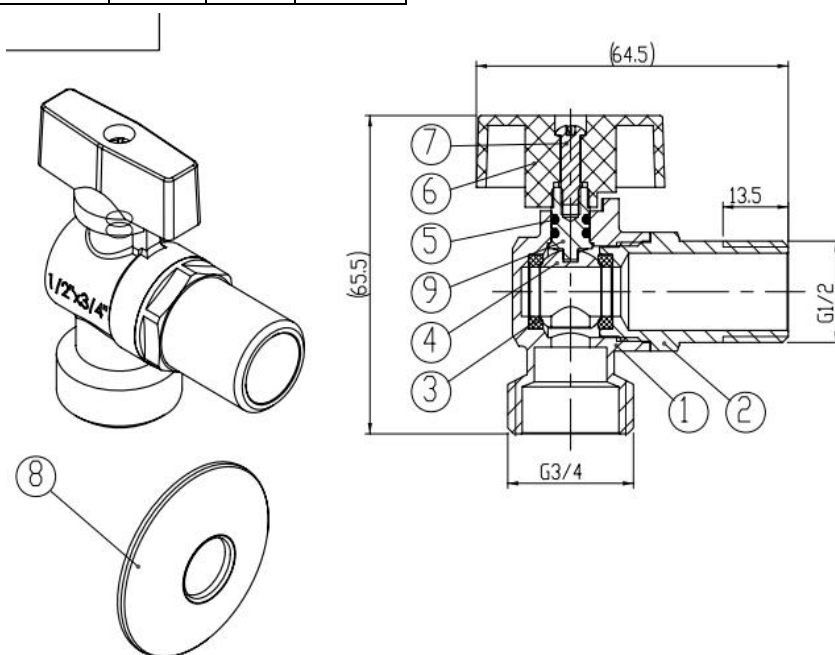
**Description**

ANGLE VALVE 1/2" x 3/4"(washing machine)  
Made from forged brass. Chrome plated finish.  
Ball valve structure. ABS handle in chromed plated.

**Versions and product codes**

Product code	Description	Size	Use	Handle color
W30511CP1012	ANGLE VALVE 1/2" x 3/4"(washing machine)	1/2"x3/4"	Plumbing systems	Chromed

**Dimensions:**



**Technical data**

**Main features and materials**

- Suitable for plumbing & heating systems
- Connections: male threads (ISO228)
- Standard port
- UNI EN 12165 CW617N chromed plated brass valve
- Stem with double O-rings to prevent leakage
- with rossete, to ensure elegance look
- Chrome plated ABS handle prevents rust.

**Product Specifications**

ANGLE VALVE 1/2" x 3/4"(washing machine) for plumbing & heating systems.  
UNI EN 12165 CW617N chrome plated. Standard port.  
Chrome plated ABS handle prevents rust.  
Stem with double O-rings, to prevent leakage.  
Max. working pressure at 20°C with water: 1.6 Mpa (16 Bar) for 1/2"  
Max. working temperature for water: 90 °C.  
Min. working temperature for water: -5 °C