

Flanged Y-Type Strainer (V4), PN10/16/25

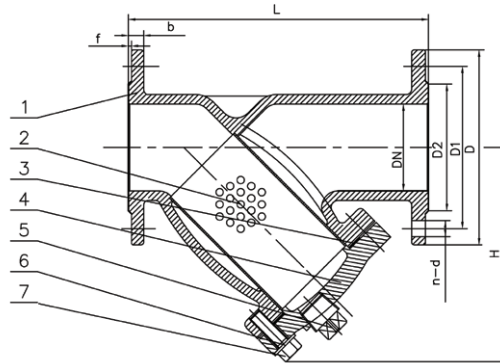


V4



CE NSF/ANSI 61 NSF/ANSI 372

- Connection Ends: Flange to BS EN 1092-2:1997
- Working Pressure: PN10/16/25
- Temperature Range: -10°C- 200°C graphite gasket
0°C- 100°C rubber gasket
- Coating: Fusion Bonded Epoxy Coating in accordance with ANSI/AWWA C550



MATERIAL SPECIFICATION

Part No.	Part	Standard Specification	Options
1	Valve Body	EN-GJS-450-10	
2	Screen	SS304 (Perforated)	SS304, SS316 (Perforated, Knitted, Double Screen)
3	Gasket	Graphite+Acanthopore Plate	EPDM
4	Bonnet	EN-GJS-450-10	
5	Plug	Malleable Iron Galvanized	Bronze ASTM B584
6	Bolt	Carbon Steel Zinc Plated	SS304, SS316
7	Flat Washer	Carbon Steel Zinc Plated	SS304, SS316

Note: For special material request other than standard specification, please indicate clearly on the inquiry or order list.

DN		PN	Dimensions(mm)							
Inch	mm		L	D	D1	D2	b	n-φd	f	H
1/2"	15	10/16/25	130±2	95	65	45	14	4-φ14	2	59
3/4"	20	10/16/25	150±2	105	75	56	16	4-φ14	2	68
1"	25	10/16/25	160±2	115	85	65	16	4-φ14	3	70
1 1/4"	32	10/16/25	180±2	140	100	76	18	4-φ19	3	86
1.5"	40	10/16/25	200	150	110	90	19	4-φ19	3	140
2"	50	10/16/25	230	165	125	99	19	4-φ19	3	140
2.5"	65	10/16	290	185	145	118	19	4-φ19	3	175
		8-φ19								
3"	80	10/16/25	310	200	160	132	19	8-φ19	3	198
4"	100	10/16	350	220	180	156	19	8-φ19	3	229
		25		235	190			8-φ23		
5"	125	10/16	400	250	210	184	19	8-φ19	3	287
6"	150	10/16	480	285	240	211	19	8-φ23	3	304
		25		300	250			8-φ28		
8"	200	10	600	340	295	266	20	8-φ23	3	370.5
		16		360	310	274	22	12-φ23		
		25						12-φ28		
10"	250	10	730	405	350	319	22	12-φ23	3	469
		16		355	12-φ28					
		25		425	370	330	24.5	12-φ31		
12"	300	10	850	460	400	370	24.5	12-φ23	4	540
		16		410	12-φ28					
		25		485	430	389	27.5	16-φ31		
14"	350	10	838	520	460	429	26.5	16-φ23	4	625
		16		470	16-φ28					
16"	400	10	864	580	515	480	28	16-φ28	4	715
		16		525	16-φ31					
18"	450	10	1200	640	565	530	30	20-φ28	4	862
		16		585	548	20-φ31				
20"	500	10	1250	715	620	582	31.5	20-φ28	4	926
		16		650	609	20-φ34				
24"	600	10	1450	840	725	682	36	20-φ31	5	1057
		16		770	720	20-φ37				

SHORT STYLE

DN		PN	Dimensions(mm)							
Inch	mm		L	D	D1	D2	b	n-φd	f	H
18"	450	10	850	640	565	530	30	20-φ28	4	693
		16			585	548		20-φ31		
20"	500	10	1000	715	620	582	31.5	20-φ28	4	774
		16			650	609		20-φ34		
24"	600	10	1100	840	725	682	36	20-φ31	5	956
		16			770	720		20-φ37		