

MANIFOLD TERMINAL KIT 3/4" & 1"

November, 2019

MANIFOLD TERMINAL KIT 3/4" & 1"

KIT TERMINAL DISTRIBUTOR COLECTOR VISION



Description

KIT TERMINAL DISTRIBUTOR COLECTOR VISION

Nickel plated outside and brass color inside. Standard port.

Butterfly handle in blue color.

Versions and product codes

Product code	Description	Size	Use	Handle color
8H22N1034	MANIFOLD TERMINAL KIT 3/4"	3/4"	Plumbing systems	Blue
8H22N1010	MANIFOLD TERMINAL KIT 1"	1"	Plumbing systems	Blue

Technical data

Main features and materials

- Suitable for plumbing & heating systems
- Connections: male threads (ISO228)
- Standard port
- UNI EN 12165 CW617N nickel plated brass valve
- Stem with double O-rings to prevent leakage
- with plug, to ensure work with manifolds perfectly
- Aluminum butterfly handle (blue color for water use),

WTM[®]

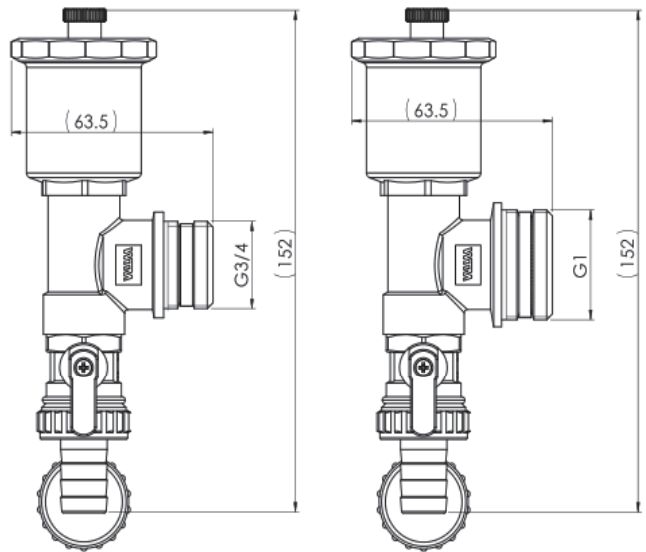
Field of application

- Max. working pressure at 20°C with water: 1.0 Mpa (10 Bar)

- Max. working temperature for water: 90 °C
- Min. working temperature for water: -5 °C
- torque resistance:

Size, DN	20	25
Max. Torque N.m	100	125

Dimensions:



Product Specifications

KIT TERMINAL DISTRIBUTOR COLECTOR VISION for plumbing & heating systems

UNI EN 12165 CW617N nickel plated outside, brass color inside. Standard port.

Aluminum handle with blue color for water plumbing use.

Stem with double O-rings, to prevent leakage.

Max. working pressure at 20°C with water: 1.0 Mpa (10 Bar) for 1/2"

Max. working temperature for water: 90 °C.

Min. working temperature for water: -5 °C