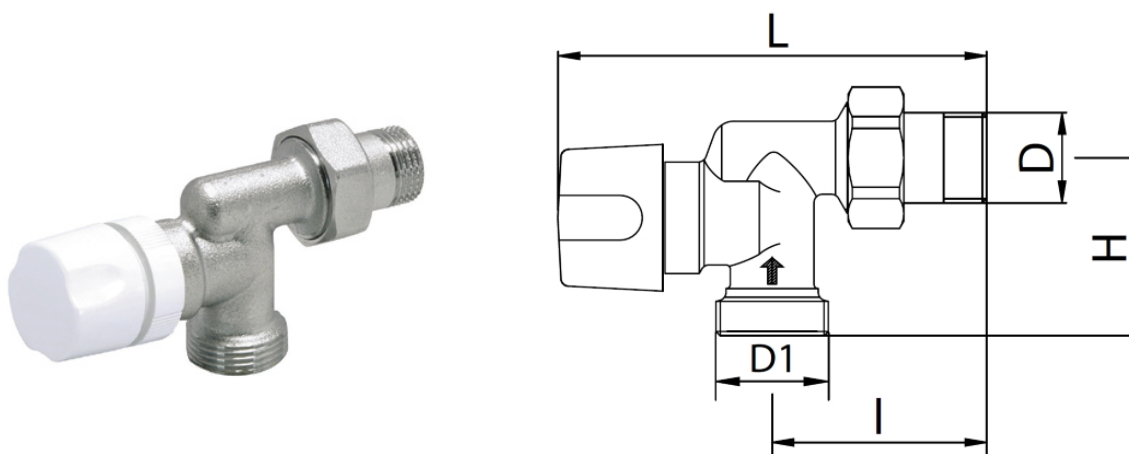


Inversed angle radiator thermostatisable valve. Euroconus connections for copper, Pex and multilayer pipe

Art. 3851

Inversed angle radiator thermostatisable valve. Euroconus connections for copper, Pex and multilayer pipe



LEGEND





 CW510L - low lead  CW602N - DZR  solar

Items

Code	Size (D)	Smooth	Pack	D1	H	I	L
3851000400	1/2"	●	10	3/4"	42	51.0	96.0

* the last letter of the code indicates the type and color of the handle

SMOOTH

-  Yellow
-  Chrome
-  Nickel
-  White

ALUMINUM HANDLE

- F** Red
- E** Blue
- G** Yellow
- M** Black

IRON HANDLE

- A** Red
- D** Blue
- B** Yellow
- N** Black

Max working temperature: 100°C

Max working pressure: 10 bar

Body in forged brass

Threads: ISO 228

Thermostatic head attachment: M30x1,5

Suitable for fittings for copper, PEX or multilayer piping

04.10.2017

Inversed angle radiator thermostatisable valve. Euroconus connections for copper, Pex and multilayer pipe

suitable for fittings for copper, PEX or multilayer piping

Available with thermostatic head: art.400 – art. 400A

Allowed fluids: water (Glycole max percentage: 50%)

The mono pipe valves with four outlets are supplied complete with brass supply feeler