

Brass Mini Valve F/F 3/8", 1/2" / FM 3/8", 1/2"
December 3rd, 2021

Brass Mini Valve F/F 3/8", 1/2" / FM 3/8", 1/2"



Description

BRASS MINI BALL VALVE, with F/M end of 3/8" and 1/2", with F/F ends of 3/8", 1/2"
Made from forged brass. Chrome plated finish.
Ball valve structure. Aluminum handle in blue color.

Versions and product codes

Product code	Description	Size	Use	Handle color
W13012C1038	FEMALE - FEMALE MINI VALVE WITH BUTTERFLY 3/8"	3/8"	Plumbing systems	Chromed
W13012C1012	FEMALE - FEMALE MINI VALVE WITH BUTTERFLY 1/2"	1/2"	Plumbing systems	Chromed
W13022C1038	MALE - FEMALE MINI VALVE WITH BUTTERFLY 3/8"	3/8"	Plumbing systems	Chromed
W13022C1012	MALE - FEMALE MINI VALVE WITH BUTTERFLY 1/2"	1/2"	Plumbing systems	Chromed

Technical data

Main features and materials

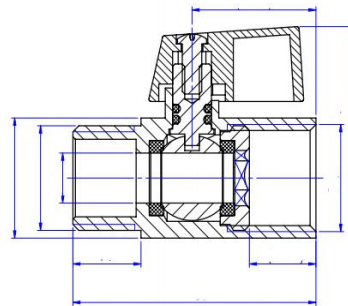
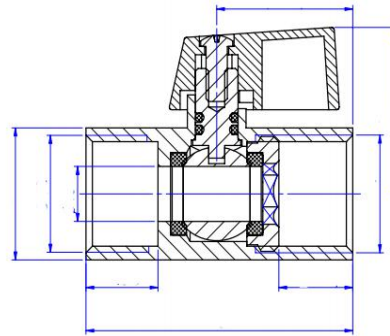
- Suitable for plumbing & heating systems
- Connections: male threads (ISO228)
- Standard port
- UNI EN 12165 CW617N chrome plated brass valve
- Stem with double O-rings to prevent leakage
- Mirror polish, very nice look
- Blue painted aluminum butterfly handle prevents rust.



Field of application

- Max. working pressure at 20°C with water: 1.6 Mpa (16 Bar)
- Max. working temperature for water: 90 °C
- Min. working temperature for water: -5 °C

Dimensions:



Product Specifications

Brass mimi ball valve for plumbing & heating systems.
UNI EN 12165 CW617N chrome plated. Standard port.
Blue painted aluminum butterfly handle prevents rust.
Stem with double O-rings, to prevent leakage.
Max. working pressure at 20°C with water: 1.6 Mpa (16 Bar) for 1/2"
Max. working temperature for water: 90 °C.
Min. working temperature for water: -5 °C