

# 434R



## MALE-FEMALE GAS BALL VALVE SMART GAS SERIES WITH BUTTERFLY HANDLE

### TECHNICAL SPECIFICATIONS

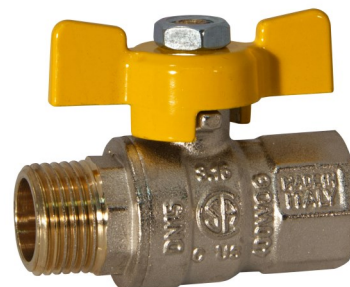
WORKING TEMPERATURE: - 20°C ÷ 60°C (-4°F ÷ 140°F)

MAX WORKING PRESSURE: MOP5

THREADS: ISO 7-1 / ISO 228

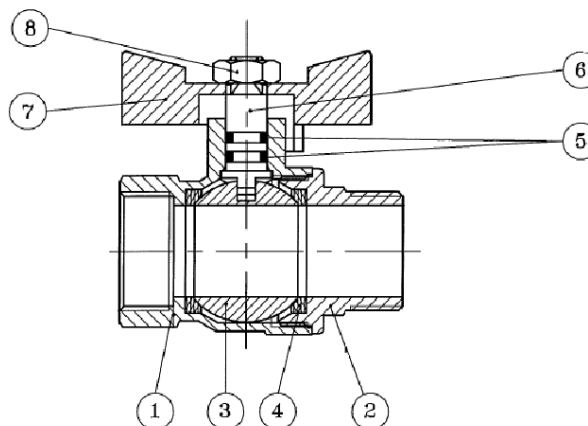
SIZES: FROM 1/2" TO 1"

TO BE USED IN TOTALLY OPEN/CLOSE POSITION



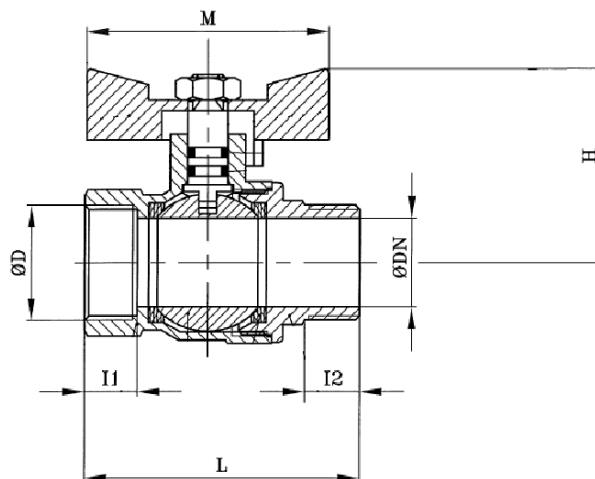
### MATERIALS

POS.	DESCRIPTION	N.	MATERIAL
1	BODY	1	BRASS CW617N NICKEL PLATED
2	UNION	1	BRASS CW617N NICKEL PLATED
3	BALL	1	BRASS CW614N CHROMED
4	SEAT	2	PTFE
5	O-RING	2	NBR
6	STEM	1	BRASS CW614N
7	T - HANDLE	1	ALUMINIUM
8	NUT	1	STEEL



### OVERALL DIMENSIONS

ØD	ØDN	L	I1	I2	M	H
1/2"	14	54	15,5	12	54	36
3/4"	18,5	66	16,5	12	54	41
1"	23,5	77	19,5	15	64	46



Valves for gas



**BIANCHI F.lli S.p.A.**  
Rubinerterria

[www.bianchifratelli.it](http://www.bianchifratelli.it)