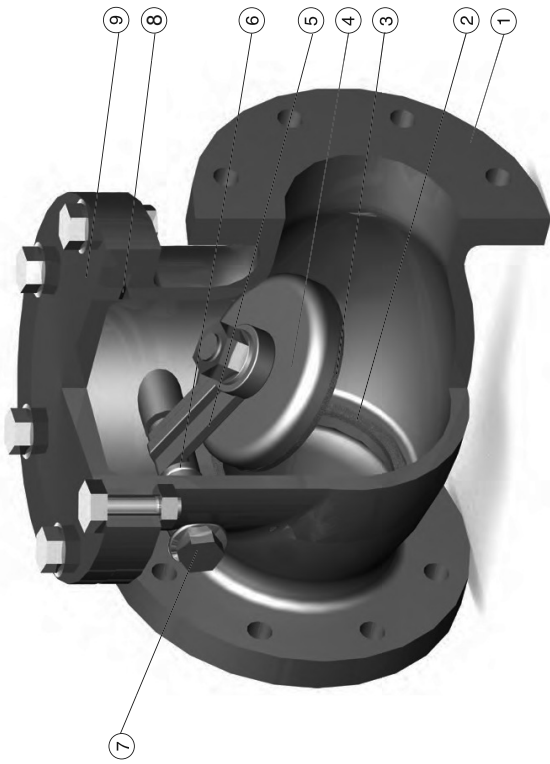


hiwa

controls flow freely



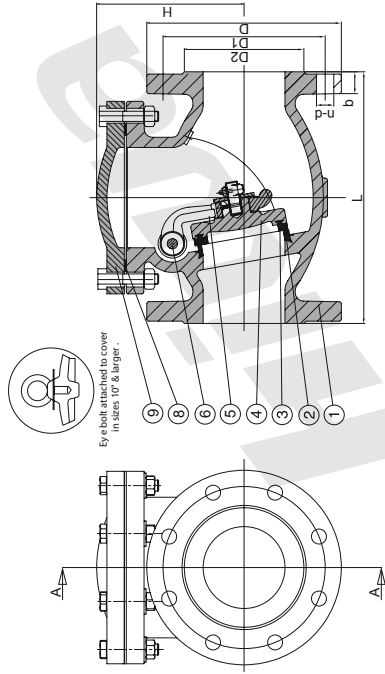
Item No.	Part Name	Material	Specification
1	Body	Cast Iron	GG25(EN-GJL-250) ASTM A126B
		Ductile Iron	GGG50(EN-GJS-500-7) ASTM A536 65-45-12
2	Seat Ring	Brass	CuZn39Pb3
		Bronze	EN 1982 CC491K ASTM B62 C83600
3	Disc Ring	Brass	CuZn39Pb3
		Bronze	EN 1982 CC491K ASTM B62 C83600
		EPDM/NBR	
4	Disc	Cast Iron	GG25(EN-GJL-250) ASTM A126B
		Ductile Iron	GGG50(EN-GJS-500-7) ASTM A536 65-45-12
5	Hanger	Ductile Iron	GGG50(EN-GJS-500-7) ASTM A536 65-45-12
6	Hanger Pin	Stainless Steel	X20 Cr13
7	Plug	Zinc Steel	SS AISI 420
8	Cover Gasket	Graphite With Soft Steel	
		EPDM/NBR	
9	Cover	Cast Iron	GG25(EN-GJL-250) ASTM A126B
		Ductile Iron	GGG50(EN-GJS-500-7) ASTM A536 65-45-12

※ Request for special characteristic, is available. Hiwa reserves the right to modify dimensions, materials, or design on products without prior notice.

hiwa

controls flow freely

DIN 3202 F6 Swing Check Valve



Eye-bolt attached to cover in sizes 10" & larger.

▲ MATERIAL SPECIFICATION

Item	Part Name	Material	Item	Part Name	Material
1	Body	GG25	4	Disc	GG25
2	Seat Ring	Brass	5	Hanger	GGG50
			6	Hanger Pin	Stainless Steel
3	Disc Ring	Bronze /Bronze	8	Cover Gasket	Graphite With Soft Steel
			9	Cover	GG25

▲ DIMENSIONS(mm)

Size	L	D	D1	D2	b	n-d	H	WT(kg)
DN40	180	150	110	84	18	4-19	110	15.8
DN50	200	165	125	99	20	4-19	130	16
DN65	240	185	145	118	20	4-19	140	18.5
DN80	260	200	160	132	22	8-19	150	24
DN100	300	220	180	156	24	8-19	160	37
DN125	350	250	210	184	26	8-19	190	46
DN150	400	285	240	211	26	8-23	210	63
DN200	500	340	295	266	30	12-23	250	96
DN250	600	405	355	319	32	12-28	310	163
DN300	700	460	410	370	32	12-28	340	205
DN350	800	520	470	429	36	16-28	450	330.0
DN400	900	580	525	480	38	16-31	520	460.0
DN450	1000	640	585	548	40	20-31	550	580.0
DN500	1100	715	650	609	42	20-34	590	700.0
DN600	1300	840	770	720	48	20-37	680	780.0

Fig. H4486



Features

- Full port
- Bolted cover
- Suitable for both horizontal and vertical installation
- Product color: Blue RAL 5017

Options

- External lever arm and weight
- FBE coated inside and outside

Technical Specification

- Face to Face : DN3202 F6
- Flanges:EN 1092-2 PN16
- Hydraulic test to ISO 5208
- Seat Test Pressure: 17.6 bar
- Shell Test Pressure: 24 bar

Artwork on valve body:

