

DIN FLANGED RESILIENT NRS GATE VALVE FOR WATERWORKS (Z45X62)

1.0 PRODUCT OVERVIEW

The valve is mainly used to connect and cut off the medium in the pipeline by rotating the stem. Its transmission thread is inside the body cavity, which can save installation space.



Product Features:

- * Advanced Vulcanization Technology
- * High strength of Stem and Thrust ring
- * Good Sealing&Long Life
- * 1 Dustproof Ring +3 O Ring Design

Dimensions:

11/2"(DN40) - 12"(DN300)

Design Standard:

EN 1171 F4, EN 558-1series 14

Connection Standard:

EN 1092-2



Working Pressure:

PN16、PN10

Application:

This DIN standard flanged NRS gate valve is applied at the waterworks system, the working temperature is 0°C-80°C.

Material of Matching Products:

Ductile iron flange according to EN 1092-2

Cast iron flange according to EN 1092-2

Steel flange according to EN 1092-1

Surface Treatment:

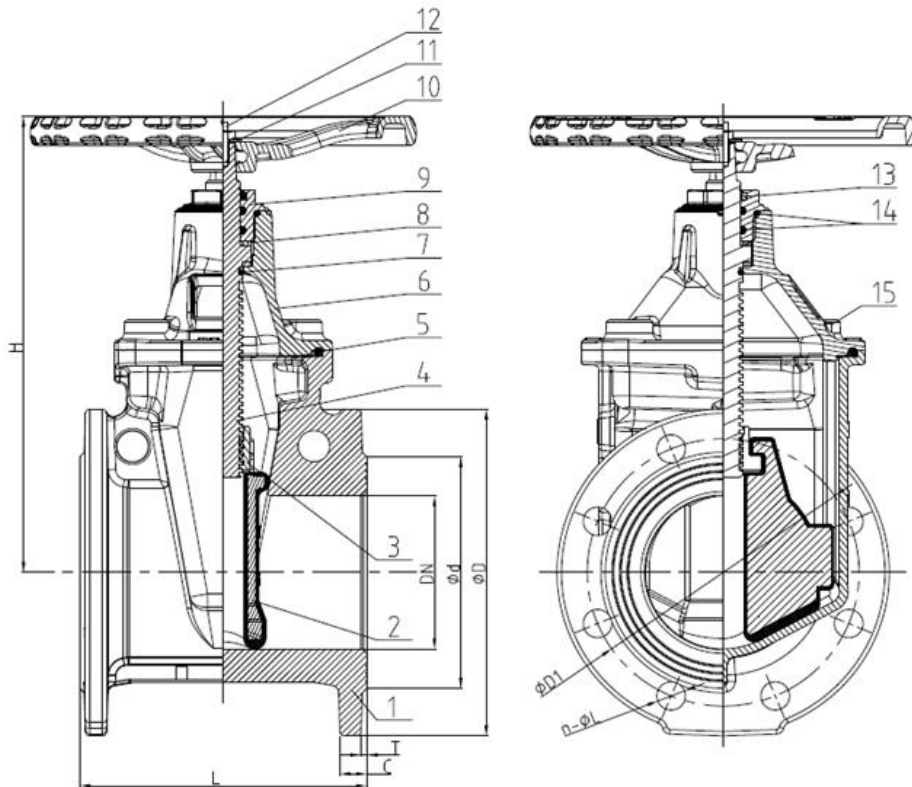
- Epoxy power painting (color numbers as RAL5002, RAL5005, etc)
- Painting (color numbers as RAL5005, etc)
- Others would be available upon clients' detailed request

2.0 APPROVALS



3.0 SPECIFICATIONS

Product Sketch:



Part No.	Part	Standard Specification	Options
1	Valve Body	EN-GJS-450-10	
2	Resilient Wedge disc	EN-GJS-450-10+EPDM	
3	Wedge nut	Brass HPb59-1	Bronze ZQSn5-5-5
4	Stem	SS420	SS304,SS316,SS431
5	Bonnet Gasket	EPDM	NBR
6	Bonnet	EN-GJS-450-10	
7	O-Ring	NBR	EPDM
8	Washer	PTFE	
9	Locknut	Brass HPb59-1	
10	Handwheel	EN-GJS-450-10	
11	Flat Washer	Carbon Steel Zinc Plated	SS304,SS316
12	Bolt	Carbon Steel Zinc Plated	SS304,SS316
13	Ring Wiper	EPDM	NBR
14	O-Ring	NBR	EPDM
15	Bolt	Carbon Steel Zinc Plated	SS304,SS316

地址: 中国济南市平阴县工业园区玫德玛钢科技园 250400 电话(Tel): 008653187879384

ADDRESS: Jinan Meide Technopark, Industrial Park, Pingyin, Jinan, China 250400 传真(Fax): 008653187879387

4.0 DIMENSIONS AND PERFORMANCE

4.1 Dimensions

DN		PN	Dimensions(mm)							
Inch	mm		L	H	D	D1	d	C	T	n-φL
1 1/2"	40	10/16	140	216	150	110	84	19	3	4-φ19
2"	50	10/16	150	216	165	125	99	19	3	4-φ19
2.5"	65	10/16	170	254	185	145	118	19	3	4-φ19
3"	80	10/16	180	282	200	160	132	19	3	8-φ19
4"	100	10/16	190	307	220	180	156	19	3	8-φ19
5"	125	10/16	200	365	250	210	190	19	3	8-φ19
6"	150	10/16	210	409	285	240	211	19	3	8-φ23
8"	200	10	230	515	340	295	266	20	3	8-φ23
		16								12-φ23
10"	250	10	250	625	405	350	319	22	3	12-φ23
		16				355				12-φ28
12"	300	10	270	701	460	400	370	24.5	4	12-φ23
		16				410				12-φ28

4.2 Flow rates

D	DN	DN	DN	DN1	DN1	DN1	DN2	DN2	DN3	DN3	DN4	DN4	DN5	DN6
N	50	65	80	00	25	50	00	50	00	50	00	50	00	00
Kv	41	65	94	163	254	366	651	1017	1456	1838	2438	3123	3877	5666