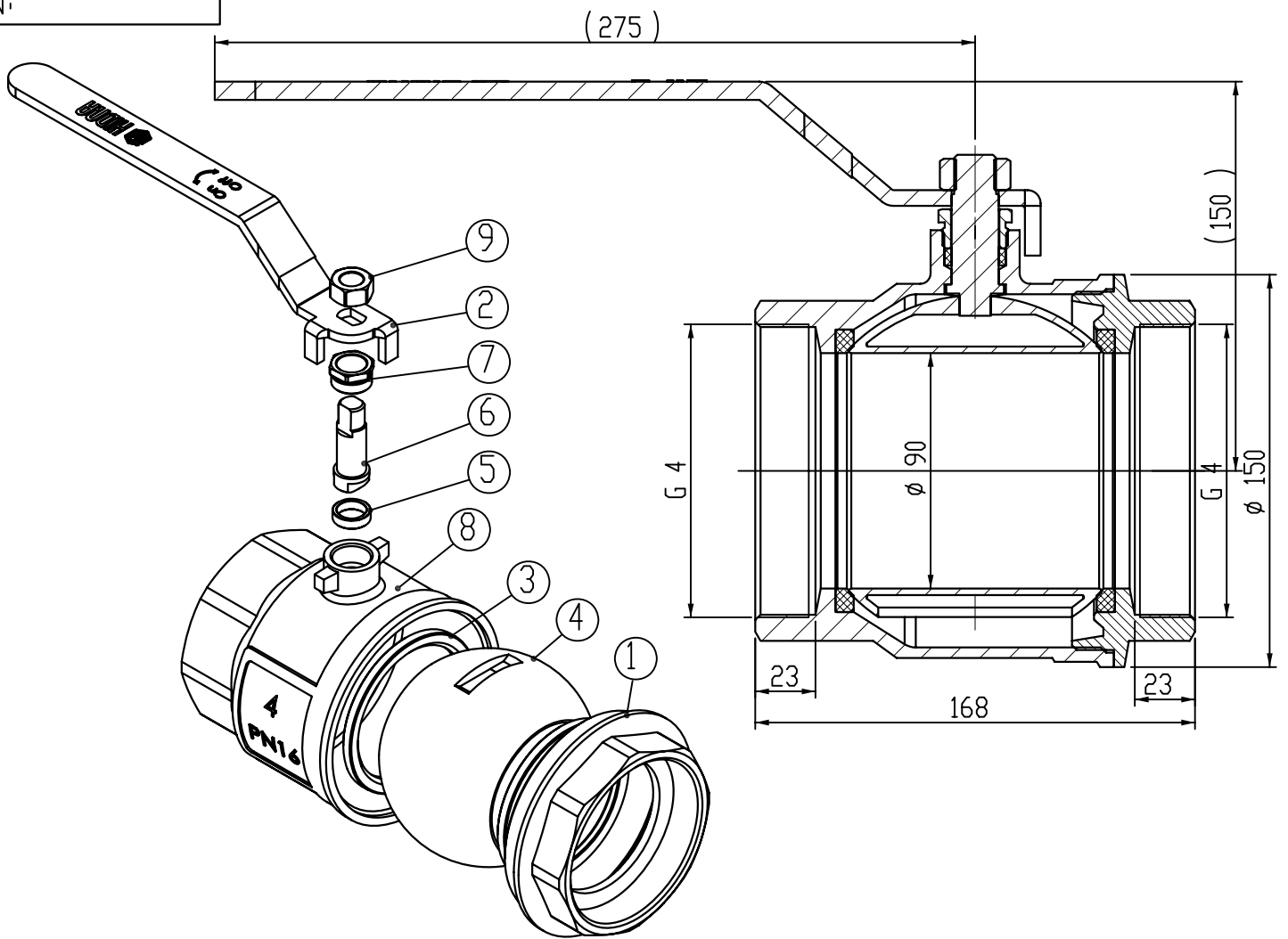


FN:



9	3H0335131601	nut	Q235	1		
8	WTM-1000-32QF-01	handle	HPb58-2A	1		
7	3F0203122501	packing nut	HPb58-2A	1		
6	3C1203121801	stem	HPb58-2A	1		
5	3D0241002403	stuffing	PTFE	1		
4	3A0403170002	seat	HPb58-2A	1		
3	3D0141000001	ball	PTFE	2		
2	3B0235172415	end bonnet	Q235	1		
1	WTM-1000-32QF-02	body	HPb58-2A	1		
NO.	P/N	NAME OF PARTS	MATERIAL	QTY		

assembly drawing

DESCRIPTION:

4"
F×F ball valve

ITEM NO.

40S11425

ZHEJIANG WTM COPPER CO.,LTD.